

NS-Series

NS15-TX01(□)-V2

NS12-TS0□(B)-V1/V2,

NS8-TV□□(B)-V1/V2,

NS5-SQ□□(B)-V1/V2,

NSJ12-SQ0□(B)-G5D,

NSJ8-TV0□(B)-G5D,

NSJ5-SQ□□(B)-G5D

NSH5-SQR□0B-V2

NS10-TV0□(B)-V1/V2

NS5-TQ□□(B)-V2

NS5-MQ□□(B)-V2

NSJ10-TV0□(B)-G5D

NSJ5-TQ□□(B)-G5D

Programmable Terminals

Macro Reference

OMRON

Outline of Macro Function

This section describes execution conditions and programming procedure for using macro.

1-1 What is Macro?.....	1 - 1
1-2 Macro Execution Condition.....	1 - 2
1-3 Macro Programming.....	1 - 8

1-1 What is Macro?

Macro is the function which can be executed by users original program. User can add functions, such as arithmetic operations and distinction of conditions, which are not supported by standard functions in CX-Designer. This function allows the PT to process screen display or data, which is performed by PLC before. It is also possible to reduce a load of PLC. In this manual, the timing for executing macro is called "Macro Execution Condition". Macro can be made by roughly divided three execution conditions as shown below.

- Execution condition for the project
- Execution condition for the screen
- Execution condition for the functional objects

There is no restriction on the number of macros for 1 project/1screen.
Up to 3000 characters can be used for one macro. Line feed is counted as two characters.
There is also no restriction on the number of lines.

Example:

'Number of inputting characters 11 characters+line

b feed (2characters), including comment
\$W0=10; 7characters+line feed (2characters)
STRCPY(\$W10",ABCDE"); 21characters
In this case, 43 characters are used.

1-2 Macro Execution Condition

Macros can be created for each project, screen, and functional objects. Also they can be created for the following execution conditions.

Executing conditions for the project

Macro execution conditions that can be made for the project are indicated below. Select [PT]-[Project Properties]-[Macro] tab in CX-Designer, then set execution condition and record macro.

For details on registering macros, refer to the online CX-Designer Help 'System Settings and Project Properties'.

Execution condition	Explanation
When Loading a Project	Execute just before loading the first screen after starting up NS-Hardware
ON timing Alarm/Event occurred	Execute when alarm is occurred
ON timing Alarm/Event is canceled	Execute when alarm is cancelled
When a bit changed	Set macro to execute when the address of specified bit type is changed. Up to 10 macros can be set.
When a value changed	Set macro to execute when the address of specified word type is changed. Up to 10 macros can be set.

Execution conditions for the screen

Macro execution conditions that can be made for each screen are indicated below.

Select [PT]-[Screen/Sheet Properties]-[Macro] tab screen in CX-Designer, then set execution condition and record macro.

For details on registering macros, refer to the online CX-Designer Help 'Creating Screens'

Execution condition	Explanation
When Loading a Screen	Execute immediately after reading screen data to display the next
When Unloading a Screen	Execute immediately after closing the current screen

Reference

Macros are executed by the timing as shown below.

NS series, NSJ series and NSH series

	When loading a screen (Execute at the destination screen)	When unloading a screen (Execute at the destination screen)
User screen->User screen	Executed	Executed
User screen->Transfer screen	Not Executed	Executed
User screen->System menu	Not Executed	Executed
System menu->User screen	Executed	Not Executed
User screen->Screen Saver	Not Executed	Not Executed
Screen Saver->User screen	Not Executed	Not Executed

NS-Runtime

	When loading a screen (Execute at the destination screen)	When unloading a screen (Execute at the destination screen)
User screen->User screen	Executed	Executed
User screen->Transfer screen	Not Executed	Executed
User screen->System menu	Not Executed	Executed
System menu->User screen	Executed	Not Executed
User screen->Screen Saver	Not Executed	Not Executed
Screen Saver->User screen	Not Executed	Not Executed
When exiting NS-Runtime	-	Executed

Execution conditions for the functional objects

Macro execution conditions that can be made for each functional object are described in the following table.

Open property dialog for each functional object and select [Macro] tab page, then set the execution condition and create macro.

For details on registering macros, refer to the online CX-Designer Help 'Creating Functional Objects'.

Execution condition	Explanation
Touch on Timing	Execute when functional object is pressed.
Touch off Timing	Execute when functional object is released
Before Inputting numeral or character string	Execute just before display tenkey pad or virtual keyboard for inputting values or strings
Before Writing numeral or character string	Execute just before notice numeral and character string to the host.
When changing numeral and character string and comparing numeral	Execute when changing the value of address.
When Processing Display Area	Execute when display area for alarm display is pressed.
When Selecting an Alarm/Event	Execute just after select each alarm/event displayed on Alarm/Event Summary
When selecting a list	Execute just after select a list displayed on the List Selection.

Note

If the password is set for functional objects, the following macros are executed after inputting the password. If the password has been cancelled for inputting, macros will not be executed.

- Touch on/Touch off timing
- Before inputting Numeral/Character string
- When pressing Display Area
- When selecting an Alarm/Event
- When selecting a list

Section 1 Outline of Macro Function

NS series Macro Reference

The following conditions can be selected for functional objects.

Functional Object	Touch on Timing	Touch Off Timing	When changing Numeral/String and comparing Numeral	Before inputting Numeral/String	Before writing Numeral/String	List Selection
ON/OFF Button	OK	OK	-	-	-	-
Word Button	OK	OK	-	-	-	-
Command Button	OK	OK	-	-	-	-
Bit Lamp	-	-	OK	-	-	-
Word Lamp	-	-	OK	-	-	-
Numeral Display & Input	-	-	OK	OK	OK	-
String Display & Input	-	-	OK	OK	OK	-
Thumbwheel Switch	-	-	OK	-	OK	-
Text	-	-	-	-	-	-
List Selection	-	-	-	-	-	OK
Level Meter	-	-	-	-	-	-
Broken-line Graph	-	-	-	-	-	-
Bitmap	-	-	-	-	-	-
Analogue Meter	-	-	-	-	-	-
Video Display	-	-	-	-	-	-
Date	-	-	-	-	-	-
Time	-	-	-	-	-	-
Data Log Graph	-	-	-	-	-	-
Data Block Table	-	-	-	OK	OK	-
Temporary Input	-	-	-	-	-	-
Consecutive line drawing	-	-	-	-	-	-
Document Display	-	-	-	-	-	-
Multifunction Object	OK	OK	OK	-	-	-
Contents Display	-	-	-	-	-	-

[Alarm/Event object]

Functional Object	When Pressing a Display Area	When selecting an Alarm/Event
Alarm/Event Display	OK	-
Alarm/Event Summary	-	OK

Reference

- When a command button is set in the following functions, macros that are set at the touch on will be executed at the touch off. Macros that are set at the off will not be executed.

Switch screen
Control pop-up screen
Display system menu
Data block control

When functions other than above are selected, macros will be executed at the specified timing.

- Document Display is a functional object that can be used only with NS-Runtime.

1-3 Macro Programming

This section describes macro creation procedures and programming terms.

The Method for Writing a Macro

Delimiter of the Program

Put a semicolon (;) at the end of each program as a delimiter. However, it is not necessary for IF (), ELSEIF (), ELSE(),ENDIF.

```
Example;
$W0=2;
IF ($W0>=10)
    $W5=$W0-$W2;
ELSE
    $W5=$W0+$W2;
ENDIF
```

Comment

Put single quotation mark at the beginning of the sentence when you add the comment for each program. From single quotation mark (') to the end of character string will be regarded as a comment.

```
Example:
$W0 = 100; 'Comment
'Comment
IF ($W1==200)
    ...
```

Writing Programming Terms

Both uppercase and lowercase can be used for programming macros because they are not classified.

However, if a double-byte character is used for a tag, the tag is case-sensitive and width-sensitive.

Example:

- MovePopwDown () and MOVEPOPWDOWN() are regarded as same function.
- [Host1:DM0]and [host1:dm0] are regarded as same host address.
- [Host1:TAG1](single-byte), [host1:T A G 1](double-byte) and [host1:t a g 1](double-byte) are regarded as different host addresses.

Programming Terms

This section describes terms used in this function.

Variable

The following variables can be used in macro program.

Item	Explanation
Host address	Enclose address and tag in [] Host address is used for functions (READCMEM and WRITECMEM) for communicating with a host. Example: READCMEM(\$W100,[HOST1:DM00000],100); 'Read HOST1:DM00000 to DM00099 to \$W100 to \$W199
PT Memory	Bit Internal memory: \$B \$B0 to \$B32767 (1bit per 1point) Internal Holding memory: \$HB \$HB0 to \$HB8191 (1bit per 1point) System Memory: \$SB \$SB0 to \$SB 63 (1bit per 1point) Word Internal memory: \$W \$W to \$W32767(16bit per 1point) Internal Holding memory: \$HW \$HW0 to \$HW 8191 (16bit per 1point) System Memory: \$SW \$SW0 to \$SW39 (16bit per 1point) Example: \$W100=\$W0+1; 'Set the value \$W0 and 1 added to \$W100
Index	Index is used for processing bit and word in the PT memory. Add index to the end of the address and it will processed as [specified address + index value] There are 10 index points (I0 to I9). Set I0 to I9 for the value of \$SW27 to \$SW36. Example: \$SW27 = H20; \$W0I0 = 123; ' \$W0I0 is regarded as \$W20 added \$W0 and 20 '\$W20 = 123

Qualifier of Variable

Qualifiers set for variables must be used as shown below.

Qualifiers are used when performing 32-bit data processing and numeral processing for bit.

Item	Explanation
Long Access (32bit) of Word (16bit)	Put "L" at the end of variable. Uses 2 words. \$W0L=1000000; 'Accesses regarding \$W0, \$W1 as 32-bit \$W100L=1000*1000; 'Accesses regarding \$W100, \$W101 as 32-bit
Numeral Access of Bit	Put ":n" at the end of variable. Specify the value of bit address (up to 32 by 4-bit unit) for "n". Exceptions: If n=16, input "W". If n=32, input "L". \$B0:4 = 3; 'Sets 3(0011) for 4-bit from \$B0 to \$B3 \$B0W = 12345; 'Sets 12345(0011000000111001) for 16-bit from \$B0 to \$B15

Constant

Usable constants for macro program and procedure are described in the following table.

Item	Explanation
Decimal constant	-32768 to 32767 can be input when using word (16-bit) -2147483648 to 2147483647 can be input when using 2 words (32-bit)
Hexadecimal constant	H0 to HFFFF can be input when using word (16-bit) H0 to HFFFFFFFF can be input when using 2 words (32-bit)
Character String	Enclose in " " E.g. "ABCDE"

Branches

The following keywords can be used for specifying conditions.

Item	Explanation
IF ELSEIF ELSE ENDIF	Enclose conditional expressions in parentheses () after the IF and ELSEIF. Always use ENDIF at the end. Up to 8 nests can be input. There is no restrictions for inputting the number of lines under IF sentence. However, the total number of characters used in whole macro must be no more than 3000 characters. E.g. IF(\$W100 == 1) 'if \$W100 is 1 \$W99 = 1; ELSEIF(\$W100 == 2) 'if \$W100 is 2 \$W99 = 2; ELSE 'if \$W100 is other than 1 or 2 \$W99 = 3; ENDIF

Conditional Expressions

Use the following conditional expressions for specifying conditions in the IF sentences. It works for all types of data (word, long access of word, bit, and numeral access of bit).

Item	Explanation
A == B	If A is equal to B, TRUE.
A > B	If A is greater than B, TRUE.
A >= B	If A is greater than or equal to B, TRUE.
A < B	If A is less than B, TRUE.
A <= B	If A is less than or equal to B, TRUE.
A <> B A != B	If A is not equal to B, TRUE.
A && B A AND B	If both A and B are true, TRUE. (AND)
A B A OR B	If either of A or B is true, TRUE. (OR)

Reference

- The result (A&&B, A>B) can be substituted for the variable.
E.g. \$B100=\$W0>100;
If the value of \$W is "100" or less, "0" will be substituted for \$B100. If the value of \$W is more than "100", "1" will be substituted for \$B100.
- Index can be used.
E.g. \$SW27=H100; '\$W100 is placed in \$W0i0, as 100 is added to \$W0.
 \$W0i0=120; '\$W100 = 120
 IF(\$W0i0 > 100) If the value for \$W100 is 101 or more,
 \$B0i0=1;
 ELSE If the value for \$W100 is 100 or less,
 \$B0i0=0;
 ENDIF
- Host Side Address can not be used.

Basic Operational Statements

The following operational statements can be used in the program.

Item	Operator	Example	meaning
substitution	=	A = B	Substitute B for A
addition	+	C = A+B	Set A+B to C
subtraction	-	C = A-B	Set A-B to C
multiplication	*	C = A*B	Set AxB to C
division	/	C = A/B	Set A/B to C
residue	%	C = A%B	Set A%B to C
OR		C = A B	Logically ORs for A and B
AND	&	C = A & B	Logically ANDs for A and B
NOT	!	C = !A	Set C for denial of A
Exclusive	^	C = A^B	Result C of logical XORs for A and B
Complement of 1	~	B = ~A	Set the 1-complement of A to B
Bit Shift (left)	<<	C = A<<B	Set the value that A is ltic shifted B-bit to the left to C.
Bit Shift (right)	>>	C = A>>B	Se the value that A is arithmetic shifted B-bit to the right to C.

Reference

If executing logical operation, process must be performed between the same data types (between word, bit, or long access)

E.g. \$SW0L=\$SW10L&\$W20L;'Use all long access of word'

Multiple operations can be combined.

E.g. A=(B+C)*(D+E/2)

The priority of orders is as follows.

Item	Symbol
High	()
↑	~
	*, /, %
	+, -
	<<, >>
	&
	^
↓	=
Low	

Section 1 Outline of Macro Function

NS series Macro Reference

Functions

The following functions are provided for macro of NS Series.

	Action	Function
Conversion between BCD and BIN	Value (BIN code)->BCD code	BCD
	BCD code->value (BIN code)	BIN
Manipulating character strings	Copy character string	STRCPY/STRCPYW
	Convert from ASCII code to Unicode	STRM2W
	Convert from Unicode to ASCII code	STRW2M
Alarm/Event summary	Clear the number of Alarm/Event occurrence	RSTALARMCNT
HMI exclusive statements	Output written value and changed value	GETNUMVAL
	Switch screen	SHOWPAGE/SHOWPAGEBCD
	Movement of object display area	MOVEPARTS
	Display message dialog box	MSGBOX
	Get displayed rectangle of the object	GETPARTS
	Move pop-up window	MOVEPOPW
	Move pop-up window up	MOVEPOPWUP
	Move pop-up window down	MOVEPOPWDOWN
	Move pop-up window left	MOVEPOPWLEFT
	Move pop-up window right	MOVEPOPWRIGHT
	Close pop-up window	CLOSEPOPW
Communications	Read data from specified address	READCMEM
	Write data to specified address	WRITECMEM
	Read bit data from specified address	READHOSTB
	Read word data from specified address	READHOSTW
	Write bit data to specified address	WRITEHOSTB
	Write word data to specified address	WRITEHOSTW
Process termination	Terminate macro program	RETURN
Set Date/Time	Change settings of internal clock of the PT	SETTIME
Reading/writing data	Read contents (values in binary) of the specified file in a memory card (CF) to PT memory.	READCF
	Save the contents of PT memory in a memory card (CF).	WRITECF
Write to multiple addresses	Write (0/1) to multiple bit addresses in the PT memory	BITSET
	Write a value to multiple word addresses in the PT memory	MEMSET

Section 1 Outline of Macro Function

NS series Macro Reference

	Action	Function
Data manipulation /conversion	Swap high order and low order of the specified address.	SWAP
	Swap high order (2byte) and low order (2byte) of the specified long word data.	SWAPL
	Copy contents of \$W in the PT memory	MEMCOPY
	Converts a local time in nanoseconds to a calendar time (year, month, day, hour, minutes, and seconds).	LOCALTIME
Input Focus Control	Set the input focus for the specified object	SETFOCUS
	Release the input focus set for the object	RELEASEFOCUS
Repeat Program	Repeat Program	FOR, NEXT
	Aborting from Program Repetition	BREAK
	Return to the top of FOR loop.	CONTINUE
Numeric operations	Arccosine function	ACOS
	Arcsine function	ASIN
	Arctangent function	ATAN
	Arctangent function of two variables	ATAN2
	Ceil (Round UPWARDS) function	CEIL
	Cosine function	COS
	Converts a degree to its radian number	DEG2RAD
	Base E exponentiation function	EXP
	Floor (Round DOWNWARDS) function	FLOOR
	Natural logarithm function	LOG
	Common logarithm function	LOG10
	Converts a radian number to its degree	RAD2DEG
	Square root function	SQRT
	Sine function	SIN
	Tangent function	TAN
Power function	POW	
Floating-point arithmetic	Perform addition of floating-point values	FADD
	Perform comparison of floating-point values	FCOMP
	Perform division of floating-point values	FDIV
	Perform multiplication of floating-point values	FMUL
	Perform subtraction of floating-point values	FSUB

Section 1 Outline of Macro Function

NS series Macro Reference

	Action	Function
	Set a value converted to floating-point	FSET

Section 1 Outline of Macro Function

NS series Macro Reference

The timing when a function can be executed as shown below.

	Project Macro			Screen Macro		Functional object Macro							
	When Loading a Project	Alarm/Event On Timing	Alarm/Event Off Timing	When Loading a screen	When Unloading a screen	Touch On Timing	Touch Off Timing	When changing value	Before Inputting Numeral/String	When writing Numeral/String	List Selection	When pressing a Display Area	When Selecting an Alarm/Event
BCD	OK	OK	OK	OK	OK	OK	OK	OK	OK	OK	OK	OK	OK
BIN	OK	OK	OK	OK	OK	OK	OK	OK	OK	OK	OK	OK	OK
CLOSEPOPW		OK	OK			OK	OK	OK	OK	OK	OK	OK	OK
GETNUMVAL								*		*			
GETPARTS				OK	OK	OK	OK	OK	OK	OK	OK	OK	OK
MOVEPARTS				OK	OK	OK	OK	OK	OK	OK	OK	OK	OK
MOVEPOPW		OK	OK	OK	OK	OK	OK	OK	OK	OK	OK	OK	OK
MOVEPOPWDOWN		OK	OK	OK	OK	OK	OK	OK	OK	OK	OK	OK	OK
MOVEPOPWLEFT		OK	OK	OK	OK	OK	OK	OK	OK	OK	OK	OK	OK
MOVEPOPWRIGHT		OK	OK	OK	OK	OK	OK	OK	OK	OK	OK	OK	OK
MOVEPOPWUP		OK	OK	OK	OK	OK	OK	OK	OK	OK	OK	OK	OK
MSGBOX	OK	OK	OK	OK	OK	OK	OK	OK	OK	OK	OK	OK	OK
READCMEM	OK	OK	OK	OK	OK	OK	OK	OK	OK	OK	OK	OK	OK
RETURN	OK	OK	OK	OK	OK	OK	OK	OK	OK	OK	OK	OK	OK
RSTALARMCNT	OK	OK	OK	OK	OK	OK	OK	OK	OK	OK	OK	OK	OK
SHOWPAGE		OK	OK			OK	OK	OK	OK	OK	OK	OK	OK
SHOWPAGEBCD		OK	OK			OK	OK	OK	OK	OK	OK	OK	OK
STRCPY(W)	OK	OK	OK	OK	OK	OK	OK	OK	OK	OK	OK	OK	OK
STRM2W	OK	OK	OK	OK	OK	OK	OK	OK	OK	OK	OK	OK	OK
WRITECMEM	OK	OK	OK	OK	OK	OK	OK	OK	OK	OK	OK	OK	OK
SETTIME		OK	OK	OK	OK	OK	OK	OK	OK	OK	OK	OK	OK
READCF	OK	OK	OK	OK	OK	OK	OK	OK	OK	OK	OK	OK	OK
WRITECF	OK	OK	OK	OK	OK	OK	OK	OK	OK	OK	OK	OK	OK
MEMCOPY	OK	OK	OK	OK	OK	OK	OK	OK	OK	OK	OK	OK	OK
SWAP	OK	OK	OK	OK	OK	OK	OK	OK	OK	OK	OK	OK	OK
SWAPL	OK	OK	OK	OK	OK	OK	OK	OK	OK	OK	OK	OK	OK
SETFOCUS		OK	OK			OK	OK	OK			OK	OK	OK
RELEASEFOCUS		OK	OK			OK	OK	OK			OK	OK	OK
FOR, NEXT	OK	OK	OK	OK	OK	OK	OK	OK	OK	OK	OK	OK	OK
BREAK	OK	OK	OK	OK	OK	OK	OK	OK	OK	OK	OK	OK	OK
CONTINUE	OK	OK	OK	OK	OK	OK	OK	OK	OK	OK	OK	OK	OK
READHOSTB	OK	OK	OK	OK	OK	OK	OK	OK	OK	OK	OK	OK	OK
READHOSTW	OK	OK	OK	OK	OK	OK	OK	OK	OK	OK	OK	OK	OK
WRITEHOSTB	OK	OK	OK	OK	OK	OK	OK	OK	OK	OK	OK	OK	OK
WRITE HOSTW	OK	OK	OK	OK	OK	OK	OK	OK	OK	OK	OK	OK	OK
BITSET	OK	OK	OK	OK	OK	OK	OK	OK	OK	OK	OK	OK	OK
MEMSET	OK	OK	OK	OK	OK	OK	OK	OK	OK	OK	OK	OK	OK

Section 1 Outline of Macro Function

NS series Macro Reference

	Project Macro			Screen Macro		Functional object Macro							
	When Loading a Project	Alarm/Event On Timing	Alarm/Event Off Timing	When Loading a screen	When Unloading a screen	Touch On Timing	Touch Off Timing	When changing value	Before Inputting Numeral/String	When writing Numeral/String	List Selection	When pressing a Display Area	When Selecting an Alarm/Event
ACOS	OK	OK	OK	OK	OK	OK	OK	OK	OK	OK	OK	OK	OK
ASIN	OK	OK	OK	OK	OK	OK	OK	OK	OK	OK	OK	OK	OK
ATAN	OK	OK	OK	OK	OK	OK	OK	OK	OK	OK	OK	OK	OK
ATAN2	OK	OK	OK	OK	OK	OK	OK	OK	OK	OK	OK	OK	OK
CEIL	OK	OK	OK	OK	OK	OK	OK	OK	OK	OK	OK	OK	OK
COS	OK	OK	OK	OK	OK	OK	OK	OK	OK	OK	OK	OK	OK
DEG2RAD	OK	OK	OK	OK	OK	OK	OK	OK	OK	OK	OK	OK	OK
EXP	OK	OK	OK	OK	OK	OK	OK	OK	OK	OK	OK	OK	OK
FLOOR	OK	OK	OK	OK	OK	OK	OK	OK	OK	OK	OK	OK	OK
LOG	OK	OK	OK	OK	OK	OK	OK	OK	OK	OK	OK	OK	OK
LOG10	OK	OK	OK	OK	OK	OK	OK	OK	OK	OK	OK	OK	OK
RAD2DEG	OK	OK	OK	OK	OK	OK	OK	OK	OK	OK	OK	OK	OK
SQRT	OK	OK	OK	OK	OK	OK	OK	OK	OK	OK	OK	OK	OK
SIN	OK	OK	OK	OK	OK	OK	OK	OK	OK	OK	OK	OK	OK
TAN	OK	OK	OK	OK	OK	OK	OK	OK	OK	OK	OK	OK	OK
POW	OK	OK	OK	OK	OK	OK	OK	OK	OK	OK	OK	OK	OK
FADD	OK	OK	OK	OK	OK	OK	OK	OK	OK	OK	OK	OK	OK
FCOMP	OK	OK	OK	OK	OK	OK	OK	OK	OK	OK	OK	OK	OK
FDIV	OK	OK	OK	OK	OK	OK	OK	OK	OK	OK	OK	OK	OK
FMUL	OK	OK	OK	OK	OK	OK	OK	OK	OK	OK	OK	OK	OK
FSUB	OK	OK	OK	OK	OK	OK	OK	OK	OK	OK	OK	OK	OK
FSET	OK	OK	OK	OK	OK	OK	OK	OK	OK	OK	OK	OK	OK
LOCALTIME	OK	OK	OK	OK	OK	OK	OK	OK	OK	OK	OK	OK	OK

*Numeral Display & Input Only

Section 1 Outline of Macro Function

NS series Macro Reference

Added Functions

Action	Function	Remarks
Set Date/Time	SETTIME	Added in the NS system program Ver.3.0
Reading/writing data	READCF	Added in the NS system program Ver.4.0
	WRITECF	
Data manipulation /conversion	SWAP	Added in the NS system program Ver.5.0.
	SWAPL	
	MEMCOPY	
Input Focus Control	SETFOCUS	Added in the NS system program Ver.5.0.
	RELEASEFOCUS	
Switch Screen (BCD)	SHOWPAGEBCD	Added in the NS system program Ver.6.0
Repeat Program	FOR, NEXT	
	BREAK CONTINUE	
Communications	READHOSTB	Added in the NS system program Ver.6.2
	READHOSTW	
	WRITEHOSTB	
	WRITEHOSTW	
Write to multiple addresses	BITSET	Added in the NS system program Ver.8.2
	MEMSET	
Numeric operations	ACOS	Added in the NS system program Ver.8.2
	ASIN	
	ATAN	
	ATAN2	
	CEIL	
	COS	
	DEG2RAD	
	EXP	
	FLOOR	
	LOG	
	LOG10	
	RAD2DEG	
	SQRT	
	SIN	
	TAN	
	POW	
Floating-point arithmetic	FADD	Added in the NS system program Ver.8.5
	FCOMP	
	FDIV	
	FMUL	
	FSUB	
	FSET	
Data manipulation /conversion	LOCALTIME	Added in the NS system program Ver.8.5

Section 1 Outline of Macro Function

NS series Macro Reference

In addition to macro of NS Series, the following functions are provided for macro of NS-Runtime.

	Action	Function
Manipulating character strings	String Comparison (Case sensitive)	STRCMP/STRCMPW
	String Comparison (Not case sensitive)	STRICMP/STRICMPW
	String Concatenation	STRCAT/STRCATW
	Gets String Length	STRLEN/STRLENW
	Extracts the specified number of characters from the leftmost characters of a string.	STRLEFT/STRLEFTW
	Extracts the specified number of characters from a specified character position of a string.	STRMID/STRMIDW
	Extracts the specified number of characters from the rightmost characters of a string.	STRRIGHT/STRRIGHTW
	Deletes the leftmost spaces of a string	STRLTRIM/STRLTRIMW
	Deletes the spaces at both sides of a string	STRTRIM/STRTRIMW
	Deletes the rightmost spaces of a string	STRRTRIM/STRRTRIMW
	Converts a string to lower case	STRLWR/STRLWRW
	Converts a string to upper case	STRUPR/STRUPRW
Manipulating Window	Finds a window title	WINFIND
	Maximizes a specified window	WINMAX
	Minimizes a specified window	WINMIN
	Restores a size of a specified window	WINNORMAL
	Brings a specified window to the front	WINTOP
	Exits a specified window	WINTERM
Module startup	Starts up an application	EXEC

Reference

These macros cannot be used with NS series, NSJ series and NSH series.

Section 1 Outline of Macro Function

NS series Macro Reference

The timing when a function can be executed as shown below.

	Project Macro			Screen Macro		Functional object Macro							
	When Loading a Project	Alarm/Event On Timing	Alarm/Event Off Timing	When Loading a screen	When Unloading a screen	Touch On Timing	Touch Off Timing	When changing value	Before Inputting Numeral/String	When writing Numeral/String	List Selection	When pressing a Display Area	When Selecting an Alarm/Event
STRCMP(W)	OK	OK	OK	OK	OK	OK	OK	OK	OK	OK	OK	OK	OK
STRICMP(W)	OK	OK	OK	OK	OK	OK	OK	OK	OK	OK	OK	OK	OK
STRCAT(W)	OK	OK	OK	OK	OK	OK	OK	OK	OK	OK	OK	OK	OK
STRLEN(W)	OK	OK	OK	OK	OK	OK	OK	OK	OK	OK	OK	OK	OK
STRLEFT(W)	OK	OK	OK	OK	OK	OK	OK	OK	OK	OK	OK	OK	OK
STRMID(W)	OK	OK	OK	OK	OK	OK	OK	OK	OK	OK	OK	OK	OK
STRRIGHT(W)	OK	OK	OK	OK	OK	OK	OK	OK	OK	OK	OK	OK	OK
STRLTRIM(W)	OK	OK	OK	OK	OK	OK	OK	OK	OK	OK	OK	OK	OK
STRTRIM(W)	OK	OK	OK	OK	OK	OK	OK	OK	OK	OK	OK	OK	OK
STRRTRIM(W)	OK	OK	OK	OK	OK	OK	OK	OK	OK	OK	OK	OK	OK
STRLWR(W)	OK	OK	OK	OK	OK	OK	OK	OK	OK	OK	OK	OK	OK
STRUPR(W)	OK	OK	OK	OK	OK	OK	OK	OK	OK	OK	OK	OK	OK
WINFIND	OK	OK	OK	OK	OK	OK	OK	OK	OK	OK	OK	OK	OK
WINMAX	OK	OK	OK	OK	OK	OK	OK	OK	OK	OK	OK	OK	OK
WINMIN	OK	OK	OK	OK	OK	OK	OK	OK	OK	OK	OK	OK	OK
WINNORMAL	OK	OK	OK	OK	OK	OK	OK	OK	OK	OK	OK	OK	OK
WINTOP	OK	OK	OK	OK	OK	OK	OK	OK	OK	OK	OK	OK	OK
WINTERM	OK	OK	OK	OK	OK	OK	OK	OK	OK	OK	OK	OK	OK
EXEC	OK	OK	OK	OK	OK	OK	OK	OK	OK	OK	OK	OK	OK



Section2 Functions

This section describes how to use the standard functions.

2-1 Table of Function and Argument.....2-2
2-2 Details of the Function.....2-7

2-1 Table of Function and Argument

The variety of variables and values, which can be specified as an argument for macro function is described below. Alphabets such as S,D,n,x,y in the row indicated parameter used in "2-2" Details of function-"Format".

Function	Argument	PT Memory				Constant	String	Host Side Address	Specify Index
		\$B \$HB \$SB	Numerical access of bit	\$W \$HW \$SW	Long access of word				
BCD	S		Yes	Yes	Yes	Yes			Yes
BIN	S		Yes	Yes	Yes	Yes			Yes
CLOSEPOPW	n		Yes	Yes	Yes	Yes			Yes
GETNUMVAL	None								
GETPARTS	N		Yes	Yes	Yes	Yes			Yes
	Left, Top, Right, Bottom			Yes	Yes				Yes
MOVEPARTS	n		Yes	Yes	Yes	Yes			Yes
	X		Yes	Yes	Yes	Yes			Yes
	Y		Yes	Yes	Yes	Yes			Yes
MOVEPOPW	n		Yes	Yes	Yes	Yes			Yes
	x		Yes	Yes	Yes	Yes			Yes
	y		Yes	Yes	Yes	Yes			Yes
MOVEPOPWDOWN	n		Yes	Yes	Yes	Yes			Yes
	y		Yes	Yes	Yes	Yes			Yes
MOVEPOPWLEFT	n		Yes	Yes	Yes	Yes			Yes
	x		Yes	Yes	Yes	Yes			Yes
MOVEPOPWRIGHT	n		Yes	Yes	Yes	Yes			Yes
	y		Yes	Yes	Yes	Yes			Yes
MOVEPOPWUP	n		Yes	Yes	Yes	Yes			Yes
	y		Yes	Yes	Yes	Yes			Yes
MSGBOX	S1			Yes	Yes		Yes		Yes
	S2			Yes	Yes		Yes		Yes
	S3		Yes	Yes	Yes	Yes			Yes

Function	Argument	PT Memory				Constant	String	Host Side Address	Specify Index
		\$B \$HB \$SB	Numerical access of bit	\$W \$HW \$SW	Long access				
READCMEM	D	Yes		Yes	Yes			Yes	
	S	Yes		Yes	Yes		Yes	Yes	
	N					Yes			
RETURN	S		Yes	Yes	Yes	Yes		Yes	
RSTALARMCNT	S		Yes	Yes	Yes	Yes		Yes	
SHOWPAGE	S		Yes	Yes	Yes	Yes		Yes	
SHOWPAGEBCD	S		Yes	Yes	Yes	Yes		Yes	
STRCPY(W)	D			Yes	Yes			Yes	
	S			Yes	Yes		Yes	Yes	
STRM2W	D			Yes	Yes			Yes	
	S			Yes	Yes		Yes	Yes	
STRM2M	D			Yes	Yes			Yes	
	S			Yes	Yes		Yes	Yes	
WRITECMEM	D	Yes		Yes	Yes		Yes	Yes	
	S	Yes		Yes	Yes			Yes	
	n	Yes	Yes	Yes	Yes				
SETTIME	S			Yes					
READCF	Mem			Yes				Yes	
	Size			Yes					
	File			Yes			Yes		
	Dev			Yes		Yes			
WRITECF	Mem			Yes				Yes	
	Size			Yes					
	File			Yes			Yes		
	Dev			Yes		Yes			
SWAP	S			Yes	Yes			Yes	
	n			Yes	Yes	Yes			
SWAPL	S			Yes	Yes			Yes	
	n			Yes	Yes	Yes			
MEMCOPY	S			Yes	Yes			Yes	
	D			Yes	Yes			Yes	
	N			Yes				Yes	
SETFOCUS	N				Yes			Yes	
RELEASEFOCUS	None								

Function	Argument	PT Memory				Constant	String	Host Side Address	Specify Index
		\$B \$HB \$SB	Numerical access of bit	\$W \$HW \$SW	Long access				
READHOSTB	D	Yes							Yes
	h			Yes		Yes		Yes	
	ch			Yes		Yes			Yes
	addr			Yes		Yes			Yes
	r			Yes		Yes			Yes
	n			Yes		Yes			Yes
READHOSTW	D			Yes					Yes
	h			Yes		Yes		Yes	
	ch			Yes		Yes			Yes
	Addr			Yes		Yes			Yes
	n			Yes		Yes			Yes
WRITEHOSTB	h			Yes		Yes		Yes	
	ch			Yes		Yes			Yes
	addr			Yes		Yes			Yes
	r			Yes		Yes			Yes
	S	Yes							Yes
	n			Yes		Yes			Yes
WRITEHOSTW	h			Yes		Yes		Yes	
	ch			Yes		Yes			Yes
	addr			Yes		Yes			Yes
	S			Yes					Yes
	n			Yes		Yes			Yes
BITSET	D	Yes							Yes
	c	Yes				Yes			Yes
	n			Yes		Yes			Yes
MEMSET	D			Yes					Yes
	c			Yes		Yes			Yes
	N			Yes		Yes			Yes

Section2 Functions

Function	Argument	PT Memory			Constant	String	Host Side Address	Specify Index
		\$B \$HB \$SB	Numerical access of bit	\$W \$HW \$SW				
ACOS	S			Yes		Yes		
ASIN	S			Yes		Yes		
ATAN	S			Yes		Yes		
ATAN2	S			Yes		Yes		
CEIL	S			Yes		Yes		
COS	S			Yes		Yes		
DEG2RAD	S			Yes		Yes		
EXP	S			Yes		Yes		
FLOOR	S			Yes		Yes		
LOG	S			Yes		Yes		
LOG10	S			Yes		Yes		
RAD2DEG	S			Yes		Yes		
SQRT	S			Yes		Yes		
SIN	S			Yes		Yes		
TAN	S			Yes		Yes		
POW	S1			Yes		Yes		
	S2			Yes		Yes		
FADD	S1			Yes		Yes		
	S2			Yes		Yes		
FCOMP	S1			Yes		Yes		
	S2			Yes		Yes		
FDIV	S1			Yes		Yes		
	S2			Yes		Yes		
FMUL	S1			Yes		Yes		
	S2			Yes		Yes		
FSUB	S1			Yes		Yes		
	S2			Yes		Yes		
FSET	S			Yes		Yes		
LOCALTIME	S			Yes				
	D			Yes				

The following macros can be used only with NS-Runtime.

Function	Argument	PT Memory				Constant	String	Host Side Address	Specify Index
		\$B \$HB \$SB	Numerical access of bit	\$W \$HW \$SW	Long access of word				
STRCMP(W)	S1			Yes			Yes		Yes
	S2			Yes			Yes		Yes
STRICMP(W)	S1			Yes			Yes		Yes
	S2			Yes			Yes		Yes
STRCAT(W)	D			Yes					Yes
	S			Yes			Yes		Yes
STRLEN(W)	S			Yes			Yes		Yes
STRLEFT(W)	D			Yes					Yes
	S			Yes			Yes		Yes
	n		Yes	Yes	Yes	Yes			Yes
STRMID(W)	D			Yes					Yes
	S			Yes			Yes		Yes
	n1		Yes	Yes	Yes	Yes			Yes
	n2		Yes	Yes	Yes	Yes			Yes
STRRIGHT(W)	D			Yes					Yes
	S			Yes					Yes
	n		Yes	Yes	Yes	Yes			Yes
STRLTRIM(W)	D			Yes					Yes
	S			Yes			Yes		Yes
STRTRIM(W)	D			Yes					Yes
	S			Yes			Yes		Yes
STRRTRIM(W)	D			Yes					Yes
	S			Yes			Yes		Yes
STRLWR(W)	D			Yes					Yes
	S			Yes			Yes		Yes
STRUPR(W)	D			Yes					Yes
	S			Yes			Yes		Yes
WINFIND	S1			Yes			Yes		Yes
	S2		Yes	Yes	Yes	Yes			Yes
WINMAX	S1			Yes			Yes		Yes
	S2		Yes	Yes	Yes	Yes			Yes
WINMIN	S1			Yes			Yes		Yes
	S2		Yes	Yes	Yes	Yes			Yes

Section2 Functions

Function	Argument	PT Memory			Constant	String	Host Side Address	Specify Index
		\$B \$HB \$SB	Numerical access of bit	\$W \$HW \$SW				
WINNORMAL	S1			Yes		Yes		Yes
	S2		Yes	Yes	Yes			Yes
WINTERM	S1			Yes		Yes		Yes
	S2		Yes	Yes	Yes			Yes
WINTOP	S1			Yes	Yes		Yes	
	S2			Yes	Yes		Yes	
Exec	S1			Yes		Yes		Yes
	S2			Yes		Yes		Yes
	S3		Yes	Yes	Yes			Yes

2-2 Details of the Function

This section describes details of standard functions used in Macro programming.

ACOS **Arccosine function**

Applicable versions	System Version 8.2 or higher
Format	ACOS(S)
Function	Returns the arccosine of variable S. S should be input as a floating-point value.
Return Value	Returns the arccosine(floating-point value).(unit: radian)
Example	\$W0 = ACOS(\$W10); 'Set the arccosine of \$W10(floating-point value(2 words)) to \$W0(floating-point value(2 words)). \$W100 = ACOS(-1); 'Set the arccosine of -1 to \$W100(floating-point value(2 words)).

ASIN **Arcsine function**

Applicable versions	System Version 8.2 or higher
Format	ASIN(S)
Function	Returns the arcsine of variable S. S should be input as a floating-point value.
Return Value	Returns the arcsine(floating-point value). (unit: radian)
Example	\$W0 = ASIN(\$W10); 'Set the arcsine of \$W10(floating-point value(2 words)) to \$W0(floating-point value(2 words)). \$W100 = ASIN(0.5); 'Set the arcsine of 0.5 to \$W100(floating-point value(2 words)).

ATAN Arctangent function

Applicable versions	System Version 8.2 or higher
Format	ATAN(S)
Function	Returns the arctangent of variable S. S should be input as a floating-point value.
Return Value	Returns the arctangent(floating-point value). (unit: radian)
Example	<pre>\$W0 = ATAN(\$W10);</pre> <p>'Set the arctangent of \$W10(floating-point value(2 words)) to \$W0(floating-point value(2 words)).</p> <pre>\$W100 = ATAN(1.233669);</pre> <p>'Set the arctangent of 1.233669 to \$W100(floating-point value(2 words)).</p>

ATAN2 Arctangent function of two variables

Applicable versions	System Version 8.2 or higher
Format	ATAN2(S1,S2)
Function	Returns the arctangent of variable S1 and variable S2 coordinates. S1 and S2 should be input as floating-point values. S1:Y coordinates S2:X coordinates
Return Value	Returns the arctangent of two variables coordinates(floating-point value). (unit: radian)
Example	<pre>\$W0 = ATAN2(\$W10, \$W20);</pre> <p>'Set the arctangent of \$W10(floating-point value(2 words)) and \$W20(floating-point value(2 words)) coordinates to \$W0(floating-point value(2 words)).</p> <pre>\$W100 = ATAN2(1.233669, 9.258369);</pre> <p>'Set the arctangent of 1.233669 and 9.258369 coordinates to \$W100(floating-point value(2 words)).</p>

BCD Converts the Value to BCD code

Applicable versions	System Version 2 or higher
Format	BCD(S)
Function	Convert value "s" to BCD code Converting range is 0 to 99999999 If you specify the character string outside of the range, overflow occurs. "0" is set at the end of the character string.
Return Value	BCD code
Example	\$W0 = 1234; 'Set value 1234 to \$W0 \$W10 = BCD(\$W0); 'Set BCD code (H1234) to \$W10 \$W20L = 12345678; 'Set value 12345678 to \$W20 to \$W21 \$W22L = BCD(\$W20L); 'Set BCD code (H12345678) to \$W22 to W23

BIN Converts BCD code to Numeral value

Applicable versions	System Version 2 or higher
Format	BIN(S)
Function	Convert BCD code S to numeral value Converting range is H0 to H99999999
Return Value	Numeral value
Example	\$W0 = H1234; 'Set BCD code (H1234) to \$W0 \$W10 = BIN(\$W0); 'Set 1234 to \$W10 \$W20L = H334455; 'Set BCD code (H334455) to \$W20 to \$W21BCD \$W22L = BIN(\$W20L); 'Set 334455 to \$W22 to \$W23

BITSET **Writes (0/1) to multiple bit addresses in the PT memory**

Applicable versions	System Version 6.2 or higher
Format	BITSET(D, c, n)
Function	Writes c(0/1) for n-bit data from bit address D in the PT memory (\$B/\$HB). D: Starting address c: Set value (0/1) n: Number of elements to write 1 to 32768 (\$B) 1 to 8192 (\$HB)
Return Value	None
Example	- Writing 1 to 10 bits from \$B100 (\$B100 to \$B109) BITSET(\$B100, 1, 10); - Writing 1 to 10 bits from \$B100 (\$B100 to \$B109) \$HB100=1; \$W200=10; BITSET(\$B100, \$HB100, \$W200);

BREAK **Aborts from program repetition**

Applicable versions	System version 6 or higher
Format	BREAK
Function	Interrupt a loop program between "FOR and NEXT".
Return Value	None
Example	'If \$W100I0>30 is true, exit FOR loop. <pre> \$SW27=0; FOR(10) \$W100I0=\$W50I0+10; IF(\$W100I0>30) BREAK; ENDF \$SW27=\$SW27+1; NEXT; </pre> <p>*Setting range for "n" is 0 to 32767. A negative number is considered as 0. \$W, \$HW and \$SW can specified as an address.</p>

CEIL **Ceil (Round UPWARDS) function**

Applicable versions	System Version 8.2 or higher
Format	CEIL(S)
Function	Returns the value of variable S rounded UPWARDS to the nearest. S should be input as a floating-point value.
Return Value	Returns the result(floating-point value).
Example	<pre>\$W0 = CEIL(\$W10);</pre> 'Set the result of CEIL \$W10(floating-point value(2 words)) to \$W0(floating-point value(2 words)). <pre>\$W100 = CEIL(1.233669);</pre> 'Set the result of CEIL 1.233669 to \$W100(floating-point value(2 words)).

CLOSEPOPW **Closes pop-up window**

Applicable versions	System version 2 or higher
Format	CLOSEPOPW(n)
Function	Close pop-up window screen page number “n” Setting range for “n” is 0 to 3999. If you set pop-up screen page number that does not exist, the process will not be performed.
Return Value	None
Example	CLOSEPOPW(15);'Close pop-up screen page 15

CONTINUE Repeats program

Applicable versions	System version 6 or higher
Format	CONTINUE
Function	During a program between "FOR to NEXT", it will return to the top of the FOR loop and resume the FOR process.
Return Value	None
Example	<p>'If \$W50I0>30 is true, a loop will return to the top, and resume the next repetitious program.</p> <pre> \$SW27=0; FOR(10) IF(\$W50I0>30) \$SW27=\$SW27+1; CONTINUE; ENDIF \$W100I0=\$W50I0+10; \$SW27=\$SW27+1; NEXT; </pre>

COS Cosine function

Applicable versions	System Version 8.2 or higher
Format	COS(S)
Function	Returns the cosine of variable S. S should be input as a floating-point value.
Return Value	Returns the cosine(floating-point value). (unit: radian)
Example	<pre> \$W0 = COS(\$W10); </pre> <p>'Set the cosine of \$W10(floating-point value(2 words)) to \$W0(floating-point value(2 words)).</p> <pre> \$W100 = COS(0.0); </pre> <p>'Set the cosine of 0.0 to \$W100(floating-point value(2 words)).</p>

DEG2RAD **Converts a degree to its radian number**

Applicable versions	System Version 8.2 or higher
Format	DEG2RAD(S)
Function	Convert the variable S from degree to its radian and return the value. S should be input as a floating-point value.
Return Value	Returns the result of conversion(floating-point value).
Example	<pre>\$W0 = DEG2RAD(\$W10);</pre> 'Set the result of DEG2RAD \$W10(floating-point value(2 words)) to \$W0(floating-point value(2 words)). <pre>\$W100 = DEG2RAD(1.233669);</pre> 'Set the result of DEG2RAD 1.233669 to \$W100(floating-point value(2 words)).

EXP **Base E exponentiation function**

Applicable versions	System Version 8.2 or higher
Format	EXP(S)
Function	Returns E(Euler's constant) raised to the S power. S should be input as a floating-point value.
Return Value	Returns the result(floating-point value).
Example	<pre>\$W0 = EXP(\$W10);</pre> 'Set the result of EXP \$W10(floating-point value(2 words)) to \$W0(floating-point value(2 words)). <pre>\$W100 = EXP(-0.369147);</pre> 'Set the result of EXP -0.369147 to \$W100(floating-point value(2 words)).

FADD **Performs addition of two floating-point values**

Applicable versions	System Version 8.2 or higher
Format	FADD(S1,S2)
Function	Returns the sum of variable S1 and variable S2. S1 and S2 should be input as floating-point values.
Return Value	Returns the result(floating-point value).
Example	<p>\$W0 = FADD(\$W10, \$W20); 'Set the sum of \$W10(floating-point value(2 words)) and \$W20(floating-point value(2 words)) to \$W0(floating-point value(2 words)). \$W100 = FADD(2.524563, -1.255669); 'Set the sum of 2.524563 and -1.255669 to \$W100(floating-point value(2 words)).</p>

FCOMP **Performs comparison of two floating-point values**

Applicable versions	System Version 8.2 or higher
Format	FCOMP(S1,S2)
Function	Returns the comparison result of variable S1 with variable S2. S1 and S2 should be input as floating-point values.
Return Value	Returns the result(WORD value). (example 0: S1 = S2, -1 : S1 < S2, 1 : S1 > S2)
Example	<p>\$W0 = FCOMP(\$W10, \$W20); 'Set the comparison result of \$W10(floating-point value(2 words)) with \$W20(floating-point value(2 words)) to \$W0(WORD value(1 word)). \$W100 = FCOMP(2.524563, -1.255669); 'Set the comparison result of 2.524563 with -1.255669 to \$W100(WORD value(1 word)).</p>

FDIV **Performs division of two floating-point values**

Applicable versions	System Version 8.2 or higher
Format	FDIV(S1,S2)
Function	Returns the quotient of variable S1 and variable S2. S1 and S2 should be input as floating-point values.
Return Value	Returns the result(floating-point value).
Example	<p>\$W0 = FDIV(\$W10, \$W20); 'Set the result of \$W10(floating-point value(2 words)) divided by \$W20(floating-point value(2 words)) to \$W0(floating-point value(2 words)).</p> <p>\$W100 = FDIV(2.524563, -1.255669); 'Set the result of 2.524563 divided by -1.255669 to \$W100(floating-point value(2 words)).</p>

FLOOR **Floor (Round DOWNWARDS) function**

Applicable versions	System Version 8.2 or higher
Format	FLOOR(S)
Function	Returns the value of variable S rounded DOWNWARDS to the nearest. S should be input as a floating-point value.
Return Value	Returns the result(floating-point value).
Example	<p>\$W0 = FLOOR(\$W10); 'Set the result of FLOOR \$W10(floating-point value(2 words)) to \$W0(floating-point value(2 words)).</p> <p>\$W100 = FLOOR(-0.4554356); 'Set the result of FLOOR -0.4554356 to \$W100(floating-point value(2 words)).</p>

FMUL **Performs multiplication of two floating-point values**

Applicable versions	System Version 8.2 or higher
Format	FMUL (S1,S2)
Function	Returns the product of variable S1 and variable S2. S1 and S2 should be input as floating-point values.
Return Value	Returns the result(floating-point value).
Example	<p>\$W0 = FMUL(\$W10, \$W20); 'Set the result of \$W10(floating-point value(2 words)) multiplied by \$W20(floating-point value(2 words)) to \$W0(floating-point value(2 words)).</p> <p>\$W100 = FMUL(2.524563, -1.255669); 'Set the result of 2.524563 multiplied by -1.255669 to \$W100(floating-point value(2 words)).</p>

FSUB **Performs subtraction of two floating-point values**

Applicable versions	System Version 8.2 or higher
Format	FSUB(S1,S2)
Function	Returns the difference of variable S1 and variable S2. S1 and S2 should be input as floating-point values.
Return Value	Returns the result(floating-point value).
Example	<p>\$W0 = FSUB(\$W10, \$W20); 'Set the difference of \$W10(floating-point value(2 words)) and \$W20(floating-point value(2 words)) to \$W0(floating-point value(2 words)).</p> <p>\$W100 = FSUB(2.524563, -1.255669); 'Set the difference of 2.524563 and -1.255669 to \$W100(floating-point value(2 words)).</p>

FSET Sets a value converted to floating-point

Applicable versions	System Version 8.2 or higher
Format	FSET(S)
Function	Returns the variable S converted to floating-point.
Return Value	Returns the result(floating-point value).
Example	<pre>\$W0 = FSET(\$W10); 'Set \$W10(floating-point value(2 words)) to \$W0(floating-point value(2 words)). \$W100 = FSET(2.524563); 'Set 2.524563 to \$W100(floating-point value(2 words)).</pre>

FOR(n), NEXT n; number of interation

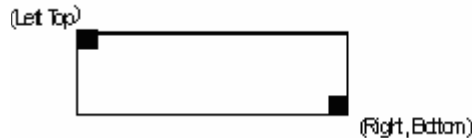
Applicable versions	System version 6 or higher
Format	FOR(n), NEXT n; a LOOP
Function	A series of statements in a computer program that are to be executed repeatedly at specified times. A program between "FOR to NEXT" cannot be nested in another "FOR to NEXT". (Single loop only)
Return Value	None
Example	<pre>'Execute a loop "FOR to NEXT" 10 times and substitute \$W0~\$W9 to the initial value,0. \$W0=0; \$SW27=0; FOR(10) \$W010=0; \$SW27=\$SW27+1; NEXT;</pre>

GETNUMVAL **Outputs written value and changed value**

Applicable versions	System version 2 or higher
Format	GETNUMVAL()
Function	Get writing numeral value or changing numeral value for numeral display & input object. Use this function for “Before writing numeral” or “When changing numeral” at “Macro Execution Condition” in numeral display & input object.
Return Value	Input numeral value
Example	\$W0=GETNUMVAL(); ‘Set value for writing numeral value to \$W0

GETPARTS **Gets displayed rectangle of the object**

Applicable versions	System version 2 or higher
Format	GETPARTS(n, Left, Top, Right, Bottom)
Function	Get displayed rectangle of the object ID number “n”. Set coordinate (Left, Top) at the upper left, (Right, Bottom) at the lower right on rectangle.



Setting range is 0 to 1023. If you set other value or ID number that does not exist, return value 1 will be returned.

Return Value	0: Completed normally -1:Specified no object
Example	GETPARTS(1, \$W0, \$W1, \$W2, \$W3); ‘Set coordinate of displayed rectangle of object ID number1 ‘to (\$W0, \$W1)-(\$W2, \$W3)

LOG Natural logarithm function

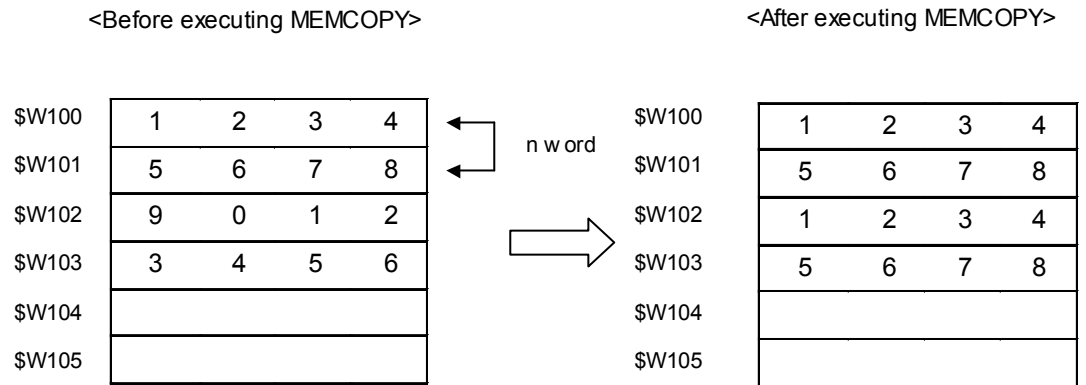
Applicable versions	System Version 8.2 or higher
Format	LOG(S)
Function	Returns the natural logarithm of variable S. S should be input as a floating-point value.
Return Value	Returns the result(floating-point value).
Example	<pre>\$W0 = LOG(\$W10);</pre> <p>'Set the result of LOG \$W10(floating-point value(2 words)) to \$W0(floating-point value(2 words)).</p> <pre>\$W100 = LOG(6.852943);</pre> <p>'Set the result of LOG 6.852943 to \$W100(floating-point value(2 words)).</p>

LOG10 LOG10

Applicable versions	System Version 8.2 or higher
Format	LOG10(S)
Function	Returns the base-10 logarithm of variable S. S should be input as a floating-point value.
Return Value	Returns the result(floating-point value).
Example	<pre>\$W0 = LOG10 (\$W10);</pre> <p>'Set the result of LOG10 \$W10(floating-point value(2 words)) to \$W0(floating-point value(2 words)).</p> <pre>\$W100 = LOG10 (6.987123);</pre> <p>'Set the result of LOG10 6.987123 to \$W100(floating-point value(2 words)).</p>

MEMCOPY Copies contents of \$W in the PT memory

Applicable versions	System version 4 or higher
Format	MEMCOPY (S, D, n);
Function	<p>Copy data of \$W or \$HW in the PT memory. S: Top address of source data. D: Top address to which data will be copied. n: The number of word data which will be taken from S. Setting range is as follows: When specifying "n" directly: 1 to 32767 When specifying "n" indirectly: \$W0 to \$W32767 \$HW0 to \$HW8191</p> <p>Note: Index can be set when using address to specify for S. Setting range is for \$W is between 0 and 32767 and for \$HW is between 0 to 8191.</p>
Return Value	None
Example	<p>MEMCOPY(\$W100, \$W102, 2); Take 2 words from \$W 100 and copy to 102</p>



MEMSET Writes a value to multiple word addresses in the PT memory

Applicable versions	System Version 6.2 or higher
Format	MEMSET(D, c, n)
Function	Writes data c for n-word from a word address D in the PT memory (\$W/\$HW). D: Starting address c: Set value -32767 to 32768 (decimal format) H0000 to HFFFF (hexadecimal format) n: Number of elements to write 1 to 32768 (\$W) 1 to 8192 (\$HW)
Return Value	None
Example	-Writing 5 for 10 words from \$W100 (\$W100 to \$W109) -MEMSET(\$W100, 5, 10); -Writes 5 for 10 words from \$W100 (\$W100 to \$W109) \$HW100=5; \$W200=10; MEMSET(\$W100, \$HW100, \$W200);

MOVEPARTS Moves object display area

Applicable versions	System version 2 or higher
Format	MOVEPARTS (n,x,y)
Function	Move the object ID number “n” to specified coordinate (x, y). Specify coordinate upper left of the moving object for “x, y”. Setting range for “n” is 0 to 1023. If the value out side the range or ID number that does not exist is specified, return value –1 will be returned. There is no restriction on setting value for “x, y”. However, set the value for the coordinate of x and y in order that the objects are displayed inside of the screen. All objects or some objects on the screen may be deleted depending on the set value so care must be taken.
Return Value	0: Completed normally -1: Specified no object
Example	MOVEPARTS (3, 150, 200); 'Move the object ID number 3 to position (150,200)

Reference

When setting macro “MOVEPARTS” for ON/OFF button, Word button, Command button and Multifunction Object and moving these objects or these objects with frame, select “Touch Off Timing”. If “Touch On Timing” is selected, the status of the object will be pressed.

MOVEPOPW **Moves pop-up window**

Applicable versions	System version 2 or higher
Format	MOVEPOPW(n,x,y)
Function	Moves top left of the pop-up window for screen number “n” to the specified coordinates (x, y). Setting range for “n” is 0 to 3999. If the value outside of the range or screen number that does not exist is specified, return value “-1” will be returned. There is no restriction on setting the value for “x, y”. However, set the value for the coordinate of x and y in order that the objects are displayed inside of the screen. Part of the screen or whole screen may be deleted depending on the set value.
Return Value	0: Completed normally -1: Specified no page
Example	\$W0=MOVEPOPW(10, 140, 160); 'Moving pop-up screen page number 10 to the specified position (140, 160), then 'return “0” to \$W0. If pop-up screen is not displayed, return “-1” to \$W0.

Reference

When setting macro “MOVEPOPW” for ON/OFF button, Word button, Command button and Multifunction Object on a pop-up screen and moving the pop-up screen, select “Touch Off Timing”. If “Touch On Timing” is selected, the status of the object will be pressed.

MOVEPOPDOWN Moves pop-up window down

Applicable versions	System version 2 or higher
Format	MOVEPOPDOWN(n, y)
Function	Move the pop-up window page number “n” to y down. Setting range for “n” is 0 to 3999. If the value outside of the range or page number which does not existed is specified, return value “-1” will be returned. There is no restriction on setting value for “y”. However, set the value to the pop-up screen in order to be displayed inside of the screen. Part of the screen or whole screen may be deleted depending on the set value.
Return Value	0: Completed normally -1: Specified no page
Example	\$W0=MOVEPOPDOWN(10, 32); ‘Move the pop-up window page number 10 to 32dot down, ‘then return “0”to \$W0. If pop-up screen is not displayed, ‘return “-1” to #W0.

Reference

When setting macro “MOVEPOPDOWN” for ON/OFF button, Word button, Command button and Multifunction Object on a pop-up screen and moving the pop-up screen, select “Touch Off Timing”. If “Touch On Timing” is selected, the status of the object will be pressed.

MOVEPOPWLEFT Moves pop-up window to the left

Applicable versions	System version 2 or higher
Format	MOVEPOPWLEFT (n, x)
Function	Move the pop-up window page number “n” to x dot left. Setting rage for “x” is 0 to 3999. If the value outside of the range or page number that does not exist is specified, return value “-1” is returned. There is no restriction on setting the value for “x”. However, set the value in order to be displayed inside of the screen. It may be deleted part of the screen or whole screen depends on the value.
Return Value	0: Completed normally -1: Specified no page
Example	\$W0=MOVEPOPWLEFT (10, 32); ‘Move pop-up window page number 10 to 32 dot left, then return ”0” to \$W0. If ‘pop-up screen is not displayed, return “-1” to \$W0.

Reference

When setting macro “MOVEPOPWLEFT” for ON/OFF button, Word button, Command button and Multifunction Object on a pop-up screen and moving the pop-up screen, select “Touch Off Timing”. If “Touch On Timing” is selected, the status of the object will be pressed.

MOVEPOPWRIGHT Moves pop-up window to the right

Applicable versions	System version 2 or higher
Format	MOVEPOPWRIGHT(n, x)
Function	Move pop-up window page “n” to x dot right. Setting range for “n” is 0 to 3999. If the value outside the range or screen number that does not exist is specified, return value “-1” is returned. There is no restriction on setting for “x”. However, set the value in order to be displayed inside of the screen. Part of the screen or whole screen may be deleted depending on the set value.
Return Value	0: Completed normally -1: Specified no page
Example	\$W0=MOVEPOPWRIGHT (10,32); ‘Move the pop-up screen page 10 to 32 dot right, then return “0” to \$W0. If the ‘pop-up screen is not displayed, return “-1” to \$W0.

Reference

When setting macro “MOVEPOPWRIGHT” for ON/OFF button, Word button, Command button and Multifunction Object on a pop-up screen and moving the pop-up screen, select “Touch Off Timing”. If “Touch On Timing” is selected, the status of the object will be pressed.

MOVEPOPWUP Moves pop-up window up

Applicable versions	System version 2 or higher
Format	MOVEPOPWUP (n, y)
Function	Move the pop-up screen page “n” to y dot up. Setting range for “n” is 0 to 3999. If the value outside of the range or page number that does not exist is specified, return value “-1” is returned. There is no restriction on setting the value for “y”. However, set the value in order to be displayed inside of the screen. Part of the screen or whole screen may be deleted depending on the set value.
Return Value	0: Completed normally -1: Specified no page
Example	\$W0=MOVEPOPWUP (10,32); ‘Move pop-up screen page 10 to 32 dot up, then return “0” to \$W0. If pop-up ‘screen is not displayed, return “-1” to \$W0.

Reference

When setting macro “MOVEPOPWUP” for ON/OFF button, Word button, Command button and Multifunction Object on a pop-up screen and moving the pop-up screen, select “Touch Off Timing”. If “Touch On Timing” is selected, the status of the object will be pressed.

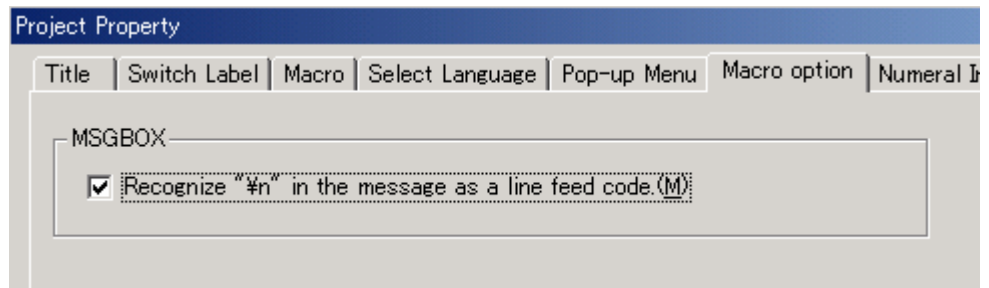
MSGBOX **Displays message dialog box**

Applicable versions	System version 2 or higher
Format	MSGBOX (S1, S2, S3)
Function	Display message dialog which is specified.

S1: message string

Perform the following procedure to insert a line feed in the message.

Select *PT – Project Properties* in the CX-Designer to display the Project Property Dialog box. Checking “Recognize “\n” in the message as a line feed code” of the MSGBOX option in the Macro option tab enables to insert a line feed by typing “\n” in the message string.



S2: title bar string

S3: reply with icon type that is displayed in message dialog

Specify type of the button.

4 bits (B0-B3)

0: STOP Mark	1: QUESTION Mark
2: EXCLAMATION Mark	3: INFORMATION Mark

4 bits (B4-B7)

0:[OK] button only 1:[OK]/[Cancel]button

2:[Retry]/[Cancel]button

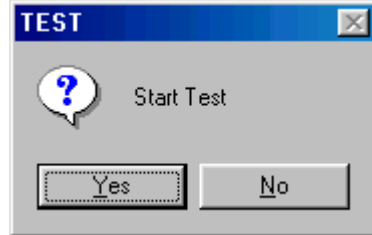
3:[Yes]/[No]button

4:[Yes]/[No]/[Cancel]button

5:[Stop]/[Retry]/[Ignore]button

Return Value	0:Select [OK] button	1:Select [Cancel]button
	2:Select [Yes]button	3:Select [No]button
	4:Select [Ignore]button	5:Select [Retry]button
	6:Select [Stop]button	

Example	<pre> \$W0=MSGBOX ("Start Test", "TEST", H31); 'H31:[Yes]/[No] button, Display QUESTION mark IF(\$W0==2) 'Write processing if you select "Yes" ELSE 'Write processing if you select "No" ENDIF As you set above, message dialog is displayed below </pre>
---------	---



Reference

Only one message box can be displayed using MSGBOX. If executing MSGBOX with displaying other message box, new message box is not displayed and "1" is returned as return value.

Example: making two bit lamps

	address	macro
Lamp 1	\$B0	\$W0=MSGBOX("message1", "title1", H31);
Lamp 2	\$B0	\$W1=MSGBOX("message2", "title2", H31);

Suppose macro of lamp1 is executed first. When changing the value of \$B0, the message box of lamp 1 is displayed. Message box of lamp 2 is not displayed and value "1" is stored in \$W1.

If Buzzer Sound is set ON or OFF at PT tab in the system menu and STOP or EXCLAMATION is specified for the icon, buzzer will be sounded when displaying the message dialog.

POW **Power function**

Applicable versions	System Version 8.2 or higher
Format	POW(S1,S2)
Function	Returns the result of calculating variable S1 to the power of variable S2. S should be input as a floating-point value.
Return Value	Returns the result(floating-point value).
Example	<p>\$W0 = POW (\$W10, \$W20); 'Set the result of calculating POW \$W10, \$W20 (floating-point value(2 words)) to \$W0(floating-point value(2 words)).</p> <p>\$W100 = POW (4.238976, 0.001411); 'Set the result of POW, calculating 4.238976 to the power of 0.001411, to \$W100(floating-point value(2 words)).</p>

RAD2DEG **Converts a radian number to its degree**

Applicable versions	System Version 8.2 or higher
Format	RAD2DEG(S)
Function	Convert the variable S from radian to its degree and return the value. S should be input as a floating-point value.
Return Value	Returns the result of conversion(floating-point value).
Example	<p>\$W0 = RAD2DEG(\$W10); 'Set the result of RAD2DEG \$W10(floating-point value(2 words)) to \$W0(floating-point value(2 words)).</p> <p>\$W100 = RAD2DEG(-0.236987); 'Set the result of RAD2DEG -0.236987 to \$W100(floating-point value(2 words)).</p>

READCF Reads the contents (values in binary) of the specified file in a memory card (CF) to PT memory

Applicable versions	System version 4 or higher
Format	READCF(Mem, Size, File, Dev)
Function	<p>Reads the contents (binary format) of the specified file in a Memory Card to PT memory.</p> <p>Mem: Top address of destination. (\$W, \$HW or \$SW) Index can be set. Setting range for \$W is between 0 and 32767 and for \$HW is between 0 to 8191. \$B, \$HB and \$SB cannot be specified.</p> <p>Size: Data size to be read. (unit: word) Data size can be specified using long word directly, or \$W or \$HW(uses 2 words) indirectly. Setting range for \$W is 0 to 32767 and for \$HW is between 0 and 8191. If the set value is exceeded the maximum, an access error occurs and an error message appears. If the value 0 or less is set for Size, the specified size will be read to the PT memory. If the file size is bigger than the value set for Size (Size>0), it executes reading data set for Size. If the file size is smaller than the value set for Size(Size>0), it executes reading actual file size only.</p> <p>File: Source file name The file name can be specified using character string directly, or \$W or \$HW (uses 2 words) indirectly. Read action is executed by word unit, however, the last 1 byte of address will not be read if file size is odd byte. (Return value will be 0). Up to 43 alphanumerical characters ("0 to 9", "A to Z", "a to z", "\$", "_") including extension can be set for the file name.</p> <p>Dev: Specify destination device. Always specify 0 since destination will be a memory card only.</p>
Return Value	<p>0: Completed normally</p> <p>-1: Failed to read data</p>
Example	<pre>1. \$W100=READCF(\$W1000,0", CF_FILE.BIN",0); 2. \$W2000L=0; STRCOPY(\$W2002, "CF_FILE.BIN"); \$W100=READCF(\$W1000,\$W2000,\$W2002,0);</pre>

READCMEM Reads the data from specified address

Applicable versions	System version 2 or higher
Format	READCMEM (D,S,n)
Function	Read n but/n channel from the address in the host specified with "s", and copy to "D". Maximum points for reading are indicated below.

Bit	126Bit
Word	126Channel

If value outside of the range is set for "n", communication error or macro execution error occurs.

Maximum points of reading depend on PLC type.

Return Value	None
Example	READCMEM (\$W0, [HOST1:DM0], 10) 'Read the value "\$W0 to \$W9" to "DM0 to DM9" at the host 'named Host1 in PLC.

Reference

- ◆ When a tag is specified for S, set the value in the table for n according to the tag data type.

Tag data type	Value to be set for n
BOOL	1
SINT, USINT, BYTE, UINT, INT, UINT_BCD, CHANNEL, WORD	1
UDINT, DINT, UDINT_BCD, REAL, DWORD	2
ULINT, LINTU, LINT_BCD, LREAL, LWORD, TIME, DATE, TIME_OF_DAY, DATE_AND_TIME	4
STRING, CJ_STRING	No. of characters or less (See note 1.)
Array	No. of elements or less (See note 1.)

Note 1: Up to 126 can be set.

Example: When the data type of [HOST1:TAG1] is DINT.

READCMEM(\$W0,[HOST1:TAG1], 2);

READHOSTB Reads bit data from the specified address

Applicable versions	System Version 6.2 or higher
Format	READHOSTB(D, h, ch, addr, r, n)
Function	<p>Reads n-bit data from the host, h and copies it to the PT memory (\$B/\$HB), D.</p> <p>D: Starting address to read data to (\$B0 to \$B32767, \$HB0 to \$HB8191)</p> <p>h: Host (host name / host number)</p> <p>ch: Host address type *1</p> <p>addr: Starting address in the host</p> <p>r: Bits</p> <p>n: Number of elements to write (1 to 126)</p> <p>*1: Refer to <i>Address Type Number</i> at the end of this chapter.</p>
Return Value	<p>Normal termination: 0x0000</p> <p>Error: high order 8 bits (B8 to B15): MRES (main response cord)</p> <p>low order 8 bits (B0 to B7) : SRES (sub-response cord)</p> <p>*Refer to <i>5-2-7 Communications Errors and Countermeasures</i> in the <i>NS-Series Programming Manual</i> for MRES and SRES.</p>
Example	<p>SerialA and Serial B are registered in the host:</p> <ul style="list-style-type: none"> - Reads 10-bit data from CIO1000.00 in the PLC connected to the host 1 (Serial port A) and stores it to \$B10 to \$B19. READHOSTB(\$B10, 1, 100, 1000, 0, 10); - Reads 10-bit data from DM2000.05 in the PLC connected to the host name=[Serial B] (Serial port B) and stores it to \$HB10 to \$HB19. READHOSTB(\$HB10, [SerialB], 300, 2000, 5, 10);

Reference

- ◆ If a host is deleted with CX-Designer, the subsequent hosts will be renumbered in order. The example below shows when HOST2 is deleted, the host numbers are renumbered and HOST3's number will be changed to 2.

Before Deleting Host		After Deleting Host	
Host Number	Host Name	Host Number	Host Name
1	SERIALA	1	SERIALA
2	HOST2	2	HOST3
3	HOST3	-	-

Please note that when a host number is given as argument h of READHOSTB, it is necessary to specify the host number after change. With the above example, please change the macro as follows.

Macro Before Deleting Host	READHOSTB(\$B10, <u>3</u> ,100,1000,0,10);	Change "3", the 2 nd argument that specifies HOST3, to "2"
Macro After Deleting Host	READHOSTB(\$B10, <u>2</u> ,100,1000,0,10);	

To check the host number, confirm the number at the left side of host name shown on the Comm.Setting dialog of CX-Designer.

- ◆ Also, note that if a host name is changed with CX-Designer when the host name is used as argument h of READHOSTB, it is necessary to specify the host name after change.

For example, if a host name is changed from HOST_1 to HOST_A, please change as follows.

Macro Before Changing Host Name	READHOSTB(\$B10,[HOST_1],100,1000,0,10);	Change
Macro After Changing Host Name	READHOSTB(\$B10,[HOST_A],100,1000,0,10);	HOST_1 to HOST_A

READHOSTW Reads word data from the specified address

Applicable versions	System Version 6.2 or higher
Format	READHOSTW(D, h, ch, addr, n)
Function	<p>Reads n-word data from the host (h) and copies it to the PT memory (\$W/\$HW), D.</p> <p>D: Starting address to read data to (\$W0 to \$W32767, \$HW0 to \$HW8191)</p> <p>h: Host (host name/host number)</p> <p>ch: Host address type *1</p> <p>addr: Host starting address</p> <p>n: Number of elements to write (1 to 126)</p> <p>*1: Refer to <i>Address Type Number</i> at the end of this chapter.</p>
Return Value	<p>Normal termination: 0x0000</p> <p>Error: high order 8 bits (B8 to B15): MRES (main response cord) low order 8 bits (B0 to B7) : SRES (sub-response cord)</p> <p>*Refer to <i>5-2-7 Communications Errors and Countermeasures</i> in the <i>NS-Series Programming Manual</i> for MRES and SRES.</p>
Example	<p>SerialA and Serial B are registered in the host:</p> <ul style="list-style-type: none"> - Reads 10-bit data from CIO1000 in the PLC connected to the host 1 (Serial port A) and stores it to \$W10 to \$W19. READHOSTW(\$W10, 1, 100, 1000, 10); - Reads 10-bit data from DM2000 in the PLC connected to the host name=[Serial B] (Serial port B) and stores it to \$HW10 to \$HW19. READHOSTW(\$HW10, [SerialB], 300, 2000, 10);

acro After Deleting Host	READHOSTW(\$B10, <u>2</u> ,100,1000,0,10);
--------------------------	--

To check the host number, confirm the number at the left side of host name shown on the Comm.Setting dialog of CX-Designer.

- ◆ Also, note that if a host name is changed with CX-Designer when the host name is used as argument h of READHOSTW, it is necessary to specify the host name after change.
 or example, if a host name is changed from HOST_1 to HOST_A, please change as follows.

Macro Before Changing Host Name	READHOSTW(\$B10, HOST_1 ,100,1000,0,10);	Change HOST_1 to HOST_A
Macro After Changing Host Name	READHOSTW(\$B10, HOST_A ,100,1000,0,10);	

RELEASEFOCUS Releases the input focus set for the object

Applicable versions	System version 5 or higher
Format	RELEASEFOCUS(); No argument is used.
Function	<p>If the input focus has been set for any of numeral display & input object or string display & input object in the project, this macro will release the input focus.</p> <ul style="list-style-type: none"> - If an object that the input focus has been set exists on the screen currently displayed, the macro will release the input focus. - If the input focus is not set for any object on the screen currently displayed, this macro will NOT work. - If the input focus has been set for the object created in the frame page displayed as top, this macro will also release the focus. - If the input focus has been set for the object in the sheet, this macro will release the focus. <p>RELEASEFOCUS macro will NOT work in the following execution timing.</p> <ul style="list-style-type: none"> -When Loading a Project -When Loading a Screen -When Unloading a Screen -Before Inputting Numeral set using numeral display & input objects -Before Writing Numeral set using numeral display & input objects -Before Inputting String set using string display & input objects -Before Writing String set using string display & input objects
Return Value	None
Example	In all cases that you want to release the input focus, set as the following example. RELEASEFOCUS();

RETURN Terminates Macro program

Applicable versions	System version 2 or higher
Format	RETURN(S)
Function	If the value of "S" is "0", terminate macro program and continue to process for functional object. If a value is set other than "0", terminate program and stop processing for functional object.
Return Value	None
Example	RETURN(0); 'terminate macro and continue to process RETURN(1); 'terminate macro and stop processing

RSTALARMCNT Clears the number of occurrence of Alarm/Event

Applicable versions	System version 2 or higher
Format	RSTALARMCNT(S)
Function	When the value of "S" is 0, clear the number of occurrence of alarm. When the value of "s" is 1, clear the number of occurrence of event.
Return Value	0: Completed normally -1: None
Example	RSTALARMCNT(0); 'clear the number of occurrence of alarm RSTALARMCNT(1); 'clear the number of occurrence of event

SETFOCUS Sets the input focus set for the object

Applicable versions	System version 5 or higher
Format	SETFOCUS(n);
Function	<p>Set the input focus on the specified numeral display & input object or string display & input object. n: Object ID number which the input focus should be set. (0 to 32767)</p> <p>When setting the input focus for the object specified as top in the Input Order List, set "-1".</p> <ul style="list-style-type: none"> - This macro will NOT work if the input focus has already been set for other object. - The input focus will NOT be set if the specified object is created in the frame page which is not displayed as top. (A dialog which indicates macro execution error will be displayed when executing this macro.) - If an object other than numeral display & input object and string display & input is specified, this macro will NOT work. - The input focus cannot be set for the objects created in the sheet. <p>SETFOCUS macro will NOT work in the following execution timing.</p> <ul style="list-style-type: none"> -When Loading a Project -When Loading a Screen -When Unloading a Screen -Before inputting Numeral set using numeral display & input objects -Before Writing Numeral set using numeral display & input objects -Before inputting String set using string display & input objects -Before Writing String set using string display & input objects
Return Value	0: Completed normally -1: The specified object ID could not be found.
Example	Case that the input focus is set for object with ID number 4. SETFOCUS(4);

SETTIME Changes settings of internal clock of the PT

Applicable versions	System version 3 or higher												
Format	SETTIME(S)												
Function	<p>Preset values for the specified address as S. The function writes them to the internal clock of PT.</p> <p>Setting range for S is between \$W0 and \$W32765 or between \$HW0 and \$HW8189. (*1)</p> <p>Set the values in BCD or BIN format for addresses to be written. (* 2)</p> <p>The function uses 3 words regarding the specified address as top. (* 3)</p> <p>Note</p> <p>*1. Index can be used for specifying the address.</p> <p>*2. See the <i>Reference</i> in below.</p> <p>*3. The date data for 3 words must be stored as shown in the table below.</p> <table border="1"> <thead> <tr> <th>Address</th> <th>Higher byte (Bit08 to 15)</th> <th>Lower byte (Bit00 to 07)</th> </tr> </thead> <tbody> <tr> <td>1st word</td> <td>Minutes (00 to 59)</td> <td>Second (00 to 59)</td> </tr> <tr> <td>2nd word</td> <td>Date (01 to 31)</td> <td>Hour (00 to 23)</td> </tr> <tr> <td>3rd word</td> <td>Month (01 to 12)</td> <td>Year (00 to 99)</td> </tr> </tbody> </table>	Address	Higher byte (Bit08 to 15)	Lower byte (Bit00 to 07)	1st word	Minutes (00 to 59)	Second (00 to 59)	2nd word	Date (01 to 31)	Hour (00 to 23)	3rd word	Month (01 to 12)	Year (00 to 99)
Address	Higher byte (Bit08 to 15)	Lower byte (Bit00 to 07)											
1st word	Minutes (00 to 59)	Second (00 to 59)											
2nd word	Date (01 to 31)	Hour (00 to 23)											
3rd word	Month (01 to 12)	Year (00 to 99)											
Return Value	None												
Example	<p>To read the internal clock data of PLC (in BCD format), and set it in the internal clock of the PT;</p> <p>'PLC (CS-, CJ- or CP-series) clock data : Read AR351 through AR353.</p> <pre> READCMEM(\$W1000,[SERIALA:AR351],3); SETTIME(\$W1000); </pre> <p>To set a date and time "2002-12-31T18:59:30" or December 31 of 2002, 18:59 and 20 seconds" in BIN format;</p> <pre> \$W100=BIN(H30); 'Second data \$W101=BIN(H59); SWAP(\$W101,1); 'Minute data \$W102=BIN(H18); 'Hour data \$W103=BIN(H31); SWAP(\$W103,1); 'Date data \$W104=BIN(H12); 'Month data \$W105=BIN(H02); SWAP(\$W105,1); 'Year data \$W200=\$W100+\$W101; \$W201=\$W102+\$W103; \$W202=\$W104+\$W105; SETTIME(\$W200); </pre>												

Reference

The data format of the argument S (Date data) must be same as the storage format of the system memory \$SW14 through \$SW17 (Date and time). If they are different, the SETTIME is not executed.

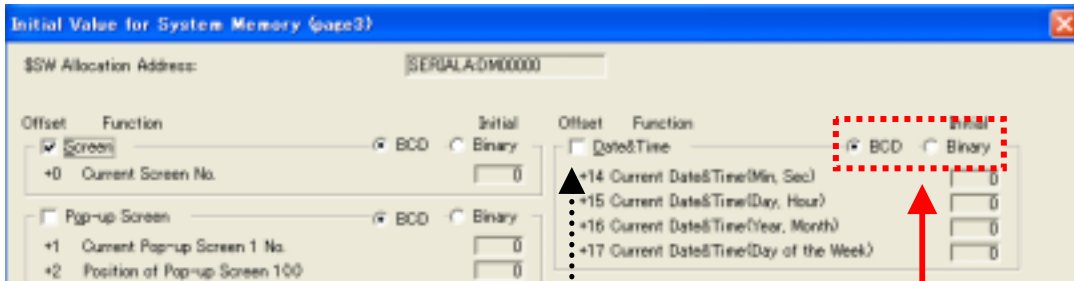
		Data format of SETTIME argument S	
		BCD	Binary
Storage format of \$SW14 through 17	BCD	Yes	No
	Binary	No	Yes

Yes : SETTIME can be executed.

No : An Error Message is shown telling “An error occurred during macro execution.”

Set the same format for the SETTIME argument S and for \$SW14 through 17.

To set or change the system memory storage format, select **System Setting - Initial** tab and press the **System Memory List** button.



Format (BCD by fault)

.... *Checked or unchecked is irrelevant.

SHOWPAGE Switches screen

Applicable versions	System version 2 or higher
Format	SHOWPAGE(S)
Function	Switch screen to the page that is specified in "s". Setting range for "s" is 0 to 3999. If the value outside of the range is set, macro execution error occurs. If the screen number that does not exist is set, reading page error occurs.
Return Value	None
Example	SHOWPAGE(10); 'Switch screen to page 10

Reference

Macro written after SHOWPAGE is not executed. Be sure to write SHOWPAGE at the end of line.

Bad Example:

```
SHOWPAGE(10); <-Switch to page 10
$W50=100; <-Substitute 100 to $W50 is not executed
```

Good Example:

```
$W50=100; <-Substitute 100 to $W50 is executed
SHOWPAGE(10); <-Switch to page 10
```

Similarly, when SHOWPAGE is executed by a macro set with Multifunction object, functions set after this macro will not be executed. In order to switch screens using SHOWPAGE, set this macro as the last function to be executed.

SHOWPAGEBCD Switches screen to the screen page n.

Applicable versions	System version 6 or higher
Format	SHOWPAGEBCD(S)
Function	S: screen page number (H0 to H3999) Switch screen to the page that is specified in "S". Setting range for "S" is H0 to H3999. If either the value outside of the range is set or an invalid value is set for BCD, macro execution error occurs. If the screen number that does not exist is set, reading page error occurs.
Return Value	None
Example	Switch screen to page 10 SHOWPAGEBCD(H10); Specify a screen page number indirectly to switch screen to page 10. \$W100=H10; SHOWPAGEBCD(\$W100);

Reference

Macro written after SHOWPAGEBCD is not executed. Be sure to write SHOWPAGEBCD at the end of line.

Bad Example:

```
SHOWPAGEBCD(H10); ←Switch to page 10
$W50=100;          ←Substitute 100 to $W50 is not executed
```

Good Example:

```
$W50=100;          ←Substitute 100 to $W50 is executed
SHOWPAGEBCD(H10); ←Switch to page 10
```

Similarly, when SHOWPAGEBCD is executed by a macro set with Multifunction object, functions set after this macro will not be executed. In order to switch screens using SHOWPAGEBCD, set this macro as the last function to be executed.

SIN Sin function

Applicable versions	System Version 8.2 or higher
Format	SIN(S)
Function	Returns the sine of variable S. S should be input as a floating-point value.
Return Value	Returns the sine(floating-point value). (unit: radian)
Example	\$W0 = SIN(\$W10); 'Set the sine of \$W10(floating-point value(2 words)) to \$W0(2 words). \$W100 = SIN(-8.660942); 'Set the sine of -8.660942 to \$W100(floating-point value(2 words)).

SQRT Square root function

Applicable versions	System Version 8.2 or higher
Format	SQRT(S)
Function	Returns the square root of variable S. S should be input as a floating-point value.
Return Value	Returns the square root(floating-point value).
Example	\$W0 = SQRT(\$W10); 'Set the square root of \$W10(floating-point value(2 words)) to \$W0(floating-point value(2 words)). \$W100 = SQRT(1.040566); 'Set the square root of 1.040566 to \$W100(floating-point value(2 words)).

STRCPY(W) Copies Character string

Applicable versions	System version 2 or higher
Format	STRCPY (D,S) ;ASCII code STRCPYW(D,S) ;Unicode(UTF-16)
Function	Copy character string from D to S Copy is performed including null.
Return Value	None
Example	STRCPYW (\$W0",ABC"); 'Set "ABC" to \$W0 to \$W2 \$W100=H6400;STRCPY(\$W110,\$W100); 'Set "d" to \$W110

Reference

'null' matches for "00" in ASCII code, and "0000" in Unicode(UTF-16).
Care must be taken to set string to \$W32767 because copy is performed including null.
When executing STRCPY(W), string data and null may not be executed \$W32767
because null is copied. (If data is exceeded \$W32767, communication error occurs).

STRM2W Converts character string from ASCII code to Unicode(UTF-16)

Applicable versions	System version 2 or higher
Format	STRM2W (D,S)
Function	Convert character string specified in "S" from ASCII code to Unicode(UTF-16) and copy to "D". Copy is performed including null.
Return Value	None
Example	STRM2W(\$W0", ABC"); 'Convert "ABC" to Unicode, and copy to \$W0 to \$W2

STRW2M **Converts character string from Unicode(UTF-16) to ASCII code**

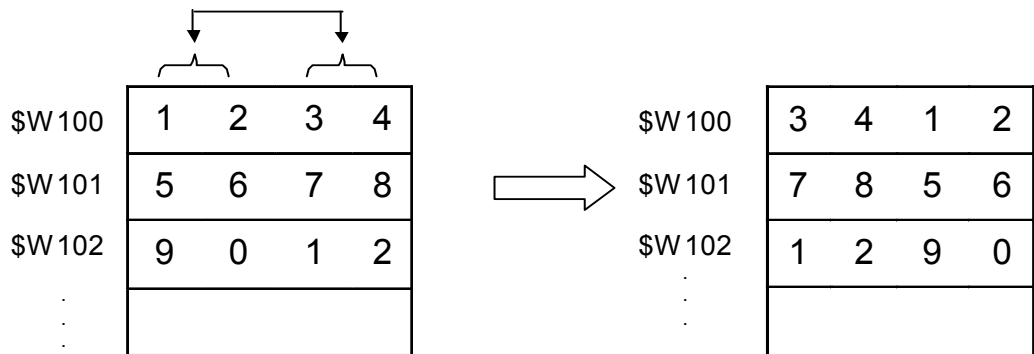
Applicable versions	System version 2 or higher
Format	STRW2M (D,S)
Function	Convert string specified in “S” to ASCII code and copy to “D”. Copy is performed including null.
Return Value	None
Example	STRW2M(\$W0, “ABC”); ‘Convert “ABC “ to ASCII code and copy to \$W0 to \$W1.

SWAP Swaps high order and low order of the specified address

Applicable versions	System version 4 or higher
Format	SWAP(S,n)
Function	<p>Swap high order (1 byte) and low order (1 byte) of the word data or the internal holding word which was taken n word form S. S: Top address (\$W or \$HW) to be swapped. (See note.) n: The number of words to be taken from S. Setting range is as follows: When specifying "n" directly: 1 to 32767 When specifying "n" indirectly: \$W0 to \$W32767 \$HW0 to \$HW8191</p> <p>Note: Index can be set when using address to specify for S. Setting range is for \$W is between 0 and 32767 and for \$HW is between 0 to 8191.</p>
Return Value	None
Example	<p>SWAP(\$W100,3); Swap high order and low order of the word data which was taken from 3 words from \$W100.</p>

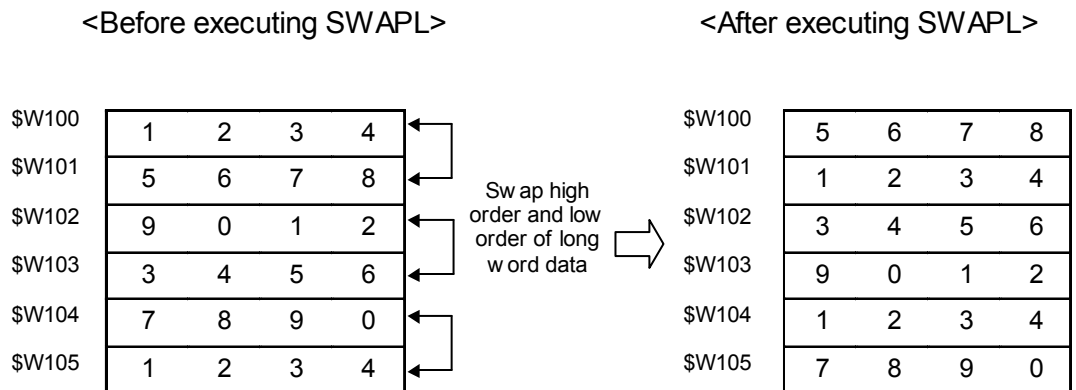
<Before performing SWAP>
 Swap high order and low order

<After performing SWAP>



SWAPL Swaps high order (2byte) and low order (2byte) of the specified long word data

Applicable versions	System version 4 or higher
Format	SWAPL(S,n)
Function	<p>Swap high order (2 byte) and low order (2 byte) of the long word data or the internal holding word which was taken n long word from S. S: Top address (\$W or \$HW) to be swapped. (See note.) n: The number of words to be swapped.</p> <p>Setting range is as follows: When specifying "n" directly : 1 to 16384 When specifying "n" indirectly: \$W0 to \$W32767 \$HW0 to \$HW8191</p> <p>Note: Index can be set when using address to specify for S. Setting range is for \$W is between 0 and 32767 and for \$HW is between 0 to 8191.</p>
Return Value	None
Example	SWAPL (\$W100, 3);



TAN Tangent function

Applicable versions	System Version 8.2 or higher
Format	TAN(S)
Function	Returns the tangent of variable S. S should be input as a floating-point value.
Return Value	Returns the tangent(floating-point value). (unit: radian)
Example	<code>\$W0 = TAN(\$W10);</code> 'Set the tangent of \$W10(floating-point value(2 words)) to \$W0(floating-point value(2 words)). <code>\$W100 = TAN(-5.731245);</code> 'Set the tangent of -5.731245 to \$W100(floating-point value(2 words)).

WRITECF Saves the contents of a PT memory in a memory card (CF)

Applicable versions	System version 3 or higher
Format	WRITECF (Mem, Size, File, Dev)
Function	<p>Saves the contents of PT memory in the specified file of Memory Card. The contents of the specified address will be written to the file in binary format.</p> <p>Mem: Top address of source data. (\$W, \$HW or \$SW) Index can be used. Setting range for \$W is between 0 and 32767, and for \$HW is between 0 and 8191. \$B, \$HB or \$SB can not be specified.</p> <p>Size: Data size to be saved in a Memory Card. (unit; word) Data size can be specified using long word directly, \$W or \$HW (uses 2 words) indirectly. Setting range for \$W is between 0 and 32767 and for \$HW is between 0 and 8191. If the set value has been exceeded the maximum, an access error will occur and an error message will appear</p> <p>File: Destination file name The file name can be specified using character string directly or using \$W or \$HW (uses 2 words) indirectly. If the specified file name for "F" already exists, the file name will be overwritten without showing a confirmation message. (Return value will be 0 (Completed normally)). Up to 43 alphanumerical characters ("0 to 9", "A to Z", "a to z", "\$", "_") including extension can be set for the file name.</p> <p>Dev: Always specify 0 since destination will be a Memory Card only.</p>
Return Value	0: Completed normally -1: Failed to save data
Example	<pre> 1. \$W100=WRITECF(\$W1000, 128, "CF_FILE.BIN", 0); 2. \$W2000L=128; STRCPY(\$W2002, "CF_FILE.BIN"); \$W100=WRITECF(\$W1000, \$W2000, \$W2002, 0); </pre>

WRITECMEM **Writes the data to the specified address**

Applicable versions	System version 2 or higher				
Format	WRITECMEM(D,S,n)				
Function	Copy data of n bit/n channel from “S” to the address in the host specified in “D”. Maximum points of writing are indicated below.				
	<table border="1"> <tr> <td>Bit</td> <td>126Bit</td> </tr> <tr> <td>Word</td> <td>126Channel</td> </tr> </table>	Bit	126Bit	Word	126Channel
Bit	126Bit				
Word	126Channel				
	If the value outside of range is set for “n”, communication error or macro execution error occurs. Maximum points of writing depends on PLC type.				
Return Value	None				
Example	WRITECMEM([HOST1: DM0], \$W0,10); ‘Write the value \$W0 to \$W9 at the host named HOST1 in PLC.				

Reference

- ◆ When a tag is specified for D, set the value in the table for n according to the tag data type.

Tag data type	Value to be set for n
BOOL	1
SINT, USINT, BYTE, UINT, INT, UINT_BCD, CHANNEL, WORD	1
UDINT, DINT, UDINT_BCD, REAL, DWORD	2
ULINT, LINTU, LINT_BCD, LREAL, LWORD, TIME, DATE, TIME_OF_DAY, DAY_AND_TIME	4
STRING, CJ_STRING	No. of characters or less (See note 1.)
Array	No. of elements or less (See note 1.)

Note 1: Up to 126 can be set.

Example: When the data type of [HOST1:TAG1] is DINT.

WRITECMEM([HOST1:TAG1] , \$W0, **2**);

WRITEHOSTB **Writes bit data to the specified address**

Applicable versions	System Version 6.2 or higher
Format	WRITEHOSTB(h, ch, addr, r, S, n)
Function	<p>Copies n-bit data from (\$B/\$HB), S in the PT memory to the specified host, h.</p> <p>h: Host (host name/host number) ch: Host address type *1 addr: Host starting address r: Bits S: Source starting address (\$B0 to \$B32767, \$HB0 to \$HB8191) n: Number of elements to write (1 to 126) * 1: Refer to <i>Address Type Number</i> at the end of this chapter.</p>
Return Value	<p>Normal termination: 0x0000 Error: high order 8 bits (B8 to B15): MRES (main response cord) low order 8 bits (B0 to B7) : SRES (sub-response cord) *Refer to <i>5-2-7 Communications Errors and Countermeasures</i> in the <i>NS-Series Programming Manual</i> for MRES, and SRES.</p>
Example	<p>SerialA and Serial B are registered in the host:</p> <ul style="list-style-type: none"> - Writes \$B10 to \$B19 to CIO1000.00 in the PLC connected to the host 1 (Serial port A). WRITEHOSTB(1, 100, 1000, 0, \$B10, 10); - Writes \$HB10 to \$HB19 to DM1000.05 in the PLC connected to the host name=[Serial B] (Serial port B). WRITEHOSTB([SerialB], 300, 1000, 5, \$HB10,10);

WRITEHOSTW Writes word data to the specified address

Applicable versions	System Version 6.2 or higher
Format	WRITEHOSTW(h, ch, addr, r, S, n)
Function	<p>Copies n-word data starting (\$W/\$HW), S in the PT memory to the specified host, h.</p> <p>h: Host (host name/host number) ch: Host address type *1 addr: Host starting address S: Source starting address (\$W0 to \$W32767, \$HW0 to \$HW8191) n: Number of elements to write (1 to 126) * 1: Refer to <i>address type number</i> at the end of this chapter.</p>
Return Value	<p>Normal termination: 0x0000 Error: high order 8 bits (B8 to B15): MRES (main response cord) low order 8 bits (B0 to B7) : SRES (sub-response cord) *Refer to <i>5-2-7 Communications Errors and Countermeasures</i> in the <i>NS-Series Programming Manual</i> for MRES, and SRES.</p>
Example	<p>SerialA and Serial B are registered in the host:</p> <ul style="list-style-type: none"> -Writes \$W10 to \$W19 to CIO1000 in the PLC connected to the host 1 (Serial port A). - WRITEHOSTW(1, 100, 1000, \$W10, 10); - Writes \$HW10 to \$HW19 to DM1000 in the PLC connected to the host name=[Serial B] (Serial port B). <p>WRITEHOSTW([SerialB], 300, 1000, \$HW10, 10);</p>

The following macro function was added for NS Series version 8.5.

LOCALTIME Date and Time Conversion

Applicable versions	System Version 8.5 or higher
Format	LOCALTIME(S,D)
Function	<p>The local time stored in S (in nanoseconds) is converted to a calendar time (year, month, day, hour, minutes, and seconds) and output to D. The output calendar time will be the GMT.</p> <p>*The local time that is stored in S cannot exceed 03:14.07 on January 19, 2038.</p>
Return Value	<p>0: Normal end -1: An out-of-range value was set for S or D. -2: A value that exceeds the upper limit was set for the local time.</p>
Example	<pre>READCMEM(\$W0,[DATEANDTIME],4); \$W100=LOCALTIME(\$W0,\$W10); SETTIME(\$W10); ' The value of DATEANDTIME variable is converted to a calendar time and set in \$W10.</pre>

Address Type Number

Address Type Name	Address Type Number	
	BCD	Binary
PT memory - \$B	0	0
PT memory - \$W	1	1
PT memory - \$SB	2	2
PT memory - \$SW	3	3
PT memory - \$HB	4	4
PT memory - \$HW	5	5
Data area (CIO)	100	64
Holding area (HR)	101	65
Auxiliary area (AR)	102	66
Link area (LR)	103	67
Work area (WR)	104	68
Timer (TIM) (See note 1.)	200	C8
Counter (CNT) (See note 1.)	201	C9
Data memory area (DM)	300	12C
Expansion data memory (EM)	301	12D
Expansion data memory 0 (EM0)	302	12E
Expansion data memory 1 (EM1)	303	12F
Expansion data memory 2 (EM2)	304	130
Expansion data memory 3 (EM3)	305	131
Expansion data memory 4 (EM4)	306	132
Expansion data memory 5 (EM5)	307	133
Expansion data memory 6 (EM6)	308	134
Expansion data memory 7 (EM7)	309	135
Expansion data memory 8 (EM8)	310	136
Expansion data memory 9 (EM9)	311	137
Expansion data memory A (EMA)	312	138
Expansion data memory B (EMB)	313	139
Expansion data memory C (EMC)	314	13A
Expansion data memory D(EMD)	315	13B
Expansion data memory E(EME)	316	13C
Expansion data memory F(EMF)	317	13D
Expansion data memory 10(EM10)	318	13E
Expansion data memory 11(EM11)	319	13F
Expansion data memory 12(EM12)	320	140
Expansion data memory 13(EM13)	321	141
Expansion data memory 14(EM14)	322	142
Expansion data memory 15(EM15)	323	143
Expansion data memory 16(EM16)	324	144
Expansion data memory 17(EM17)	325	145
Expansion data memory 18(EM18)	326	146

Note 1: Only available for READHOSTW / WRITEHOSTW

The following macros can be used with NS-Runtime. The details of macros are described as below.

EXEC **Application Startup**

Applicable versions	System Version 6.6 or higher
Format	EXEC(S1, S2,S3)
Function	<p>Executes the command specified with S1 and displays at S2 window title and in S3 window style</p> <p>Specify a startup file and a startup argument with S1. (Separate a startup file and a startup argument with a space)</p> <p>S2: Window title after a startup (" " displays the default title at startup)</p> <p>S3: (0=normal, 1=Minimize, 2=Maximize, 3=Hide)</p> <p>Use Unicode if you use symbols to specify strings with S1 and S2.</p>
Return Value	<p>0: Completed normally</p> <p>-1:Startup failed</p>
Example	<pre>EXEC("CMD.EXE","ABC", 2); 'Execute CMD.EXE and maximize a window titled ABC.</pre>

STRCAT(W) **String Concatenation**

Applicable versions	System Version 6.6 or higher
Format	<p>STRCAT(D, S) ...ASCII code</p> <p>STRCATW(D, S) ...Unicode</p>
Function	Connects the string S to the string D.
Return Value	None
Example	<pre>STRCPY(\$W0, "ABC"); 'Set ABC to \$W0 to \$W1. STRCPY(\$W10, "DEF"); 'Set DEF to \$W10 to \$W11. STRCAT(\$W0, \$W10); 'Set ABCDEF to \$W0 to \$W3.</pre>

STRCMP(W), STRICMP(W) String Comparison

Applicable versions	System Version 6.6 or higher
Format	STRCMP(S1,S2) STRICMP(S1,S2) ...ASCII code STRCMPW(S1,S2) STRICMPW(S1,S2) ...Unicode
Function	Compares the string. STRCMP(W) Case sensitive STRICMP(W) Not case sensitive
Return Value	-1 : Disagree, S1<S2 0 : Agree, S1=S2 1 : Disagree, S1>S2
Example	STRCPY(\$W0, "ABC"); 'Set ABC to \$W0 to \$W1. \$W10= STRCMP(\$W0, "DEF"); 'Compare ABC and DEF. The result, -1, is stored in \$W10.

STRLEFT(W) Extracts the specified number of characters from leftmost characters of a string

Applicable versions	System Version 6.6 or higher
Format	STRLEFT(D,S,n), ...ASCII code STRLEFTW(D,S,n) ...Unicode
Function	Stores n characters from the left of the string S to D.
Return Value	None
Example	STRLEFT(\$W0,"ABCDEFG",3); 'Extract 3 characters (ABC) from the leftmost string and store ABC in \$W0 to \$W1.

STRLEN(W) Gets string length

Applicable versions	System Version 6.6 or higher
Format	STRLEN(S) ...ASCII code STRLENW(S) ...Unicode
Function	Returns the length of the string S (The number of bytes of S).
Return Value	String Length
Example	STRCPY(\$W0, "ABC"); \$W10 = STRLEN(\$W0); 'Set 3 to '\$W10

STRLTRIM(W) Deletes the leftmost spaces of a string

Applicable versions	System Version 6.6 or higher
Format	STRLTRIM(D,S) ...ASCII code STRLTRIMW(D,S)...Unicode
Function	Deletes the leftmost space of the string S to enter it to D.
Return Value	None
Example	STRLTRIM(\$W0, " ABC"); 'Store ABC excluding left spaces of a string in \$W0 to \$W1.

STRLWR(W) Converts a string to lower case

Applicable versions	System Version 6.6 or higher
Format	STRLWR(D, S) ...ASCII code STRLWRW(D, S) ...Unicode
Function	Converts upper cases of the string S to lower cases and enter them to D.
Return Value	None
Example	STRCPY(\$W0, "ABC"); STRLWR(\$W10, \$W0); 'Set abc to \$W10 to \$W11

STRMID(W) **Extracts the specified number of characters from a specified character position of a string**

Applicable versions	System Version 6.6 or higher
Format	STRMID(D,S,n1,n2) ...ASCII code STRMIDW(D,S,n1,n2) ...Unicode
Function	Extracts n2 characters from n1 of a string specified with S. Then store them in D. (n1: The head of a string is set to 1.)
Return Value	None
Example	STRMID(\$W0,"ABCDEFGH",2,3); 'Extracts 3 characters (BCD) from the 2nd of the string. Then store BCD in \$W0 to \$W1.

STRRIGHT(W) **Extracts the specified number of characters from rightmost characters of a string**

Applicable versions	System Version 6.6 or higher
Format	STRRIGHT(D,S,n) ...ASCII code STRRIGHTW(D,S,n) ...Unicode
Function	Extracts n characters from the rightmost characters of the string S. Then sets them in D.
Return Value	None
Example	STRRIGHT (\$W0,"ABCDEFGH",3); 'Extract 3 characters (EFG) from the rightmost characters of the string. Set EFG to \$W0 to \$W1.

STRRTRIM(W) Deletes the rightmost spaces of a string

Applicable versions	System Version 6.6 or higher
Format	STRRTRIM(D,S) ...ASCII code STRRTRIMW(D,S) ...Unicode
Function	Deletes the rightmost spaces of the string S to enter them to D.
Return Value	None
Example	STRRTRIM(\$W0, "ABC "); 'Set ABC to \$W0 to \$W1 excluding the rightmost spaces of the string.

STRTRIM(W) Deletes the spaces at both sides of a string

Applicable versions	System Version 6.6 or higher
Format	STRTRIM(D,S) ...ASCII code STRTRIMW(D,S)...Unicode
Function	Extracts spaces at both sides of a string specified with S. Then stores them to D.
Return Value	None
Example	STRTRIM(\$W0, " ABC "); 'Set ABC in \$W0 to \$W1 excluding spaces at both ends.

STRUPR(W) **Converts a string to upper case**

Applicable versions	System Version 6.6 or higher
Format	STRUPR(D, S) ...ASCII code STRUPRW(D, S) ...Unicode
Function	Converts a string S from lower case to upper case. Then set it to D.
Return Value	None
Example	STRCPY(\$W0, "abc"); STRUPR(\$W10, \$W0); 'Set ABC to \$W10 to \$W11.

WINFIND **Finds a window title**

Applicable versions	System Version 6.6 or higher
Format	WINFIND(S1,S2)
Function	<p>Searches whether a window specified with S1 has started or not. Set the following search conditions for each bit with S2.</p> <p>The 0 bit to 3rd bit:</p> <ul style="list-style-type: none"> 0:Window title that completely matches with S1. 1:Window title that matches with the number of characters of S1. 2:Window title that matches with the number of characters of S1 (Except for a folder). <p>The 4th bit:</p> <ul style="list-style-type: none"> 0:The search ends when a target is found. 1:Searches for all the matched windows. <p>Use Unicode if you use a symbol to specify a string with S1.</p>
Return Value	The number of find results (0:None, 1 or more: Found)
Example	WINFIND("TEST",0); 'Search whether there is a window titled TEST.

WINMAX **Maximizes a specified window**

Applicable versions	System Version 6.6 or higher
Format	WINMAX(S1,S2)
Function	<p>Maximizes a window specified with S1. Set the following search conditions for each bit with S2. The 0 bit to 3rd bit:</p> <ul style="list-style-type: none"> 0:Window title that completely matches with S1. 1:Window title that matches with the number of characters of S1. 2:Window title that matches with the number of characters of S1 (Except for a folder). <p>Use Unicode if you use a symbol to specify a string with S1.</p>
Return Value	<p>0 :Completed normally -1:No specified window</p>
Example	WINMAX("TEST",0) ; 'Maximize a window titled TEST.

WINMIN **Minimizes a specified window**

Applicable versions	System Version 6.6 or higher
Format	WINMIN(S1,S2)
Function	<p>Minimizes a window specified with S1. Set the following search conditions for each bit with S2. The 0 bit to 3rd bit:</p> <ul style="list-style-type: none"> 0:Window title that completely matches with S1. 1:Window title that matches with the number of characters of S1. 2:Window title that matches with the number of characters of S1 (Except for a folder). <p>Use Unicode if you use a symbol to specify a string with S1.</p>
Return Value	<p>0 :Completed normally -1:No specified window</p>
Example	WINMIN("TEST",0) ; 'Minimize a window titled TEST.

WINNORMAL Restores a size of a specified window

Applicable versions	System Version 6.6 or higher
Format	WINNORMAL(S1,S2)
Function	<p>Restores a size of a window specified with S1. Set the following search conditions for each bit with S2. The 0 bit to 3rd bit:</p> <ul style="list-style-type: none"> 0:Window title that completely matches with S1. 1:Window title that matches with the number of characters of S1. 2:Window title that matches with the number of characters of S1 (Except for a folder). <p>Use Unicode if you use a symbol to specify a string with S1.</p>
Return Value	<p>0 :Completed normally -1:No specified window</p>
Example	<p>WINNORMAL("TEST",0) ; 'Restore a size of a window titled TEST.</p>

WINTERM Exits a specified window

Applicable versions	System Version 6.6 or higher
Format	WINTERM(S1,S2)
Function	<p>Exits a window specified with S1. Set the following search conditions for each bit with S2. The 0 bit to 3rd bit: 0:Window title that completely matches with S1. 1:Window title that matches with the number of characters of S1. 2:Window title that matches with the number of characters of S1 (Except for a folder). The 4th bit: 0:Sends a WOM_CLOSE message to a specified window. 1: Sends a WM_DESTROY message to a specified window. Example: Microsoft Word When the 4th bit is 0, Displays a message saying Do you want to save the document 1? After confirming, Microsoft-Word ends. When the forth bit is 1, Exits a window without displaying a confirmation message even when there is a change.</p> <p>Use Unicode if you use a symbol to specify a string with S1.</p>
Return Value	0:Completed normally -1:No specified window
Example	WINTERM("TEST",0); 'Exit a window titled TEST.

WINTOP **Brings a specified window to the front**

Applicable versions	System Version 6.6 or higher
Format	WINTOP(S1,S2)
Function	<p>Brings a window specified with S1 to the front. Set the following search conditions for each bit with S2. The 0 bit to 3rd bit:</p> <ul style="list-style-type: none"> 0:Window title that completely matches with S1. 1:Window title that matches with the number of characters of S1. 2:Window title that matches with the number of characters of S1 (Except for a folder). <p>Use Unicode if you use a symbol to specify a string with S1.</p>
Return Value	<p>0: Completed normally -1:No specified window</p>
Example	<p>WINTOP("TEST",0) ; 'Bring a window titled TEST to the front.</p>

Section3 Error Message List

This section describes error message which is displayed in error list box when macro is added to the project, the screen and the functional objects.

3-1	Error Message List	3-2
-----	--------------------------	-----

3-1 Error Message List

Error messages are displayed in the error list box after checking the error as shown below.

Error Message	Details	Example
Format error	The program contains description besides variable name, function name, or programming terms that cannot be recognized. Check whether the input function is correct.	\$W0=ABC+100;
Variable name error (is missing	Variable name is incorrect The ((left parentheses symbol) is missing from a function or sentence	\$B0:3=1; IF\$W0==1)
No. of ()does not agree	The number of () (parentheses) in the program does not agree	IF(\$W0=1)!(\$W1=0
Position of , is incorrect	The position of the , (comma) is incorrect	IF(\$W0==1),(\$W1==0)
Function argument error	The program contains an incorrect function argument, such as word memory being set in a position that permits bit memory only. Refer to "Section 2 Explanation for the function "-"Correspondence Table of Function and Argument" and check the argument.	\$W0=BCD(\$B0);
= Command error	The program contains an incorrect substitution statement, such as 3=10, \$B0=3	\$W0="ABCDE"
End of program is incomplete	The program that was input is incomplete	\$W10=10+;
If sentence error	The program contains an incorrect IF,ELSE or ENDIF is statement	IF(\$W0==1)!(\$W1==0) \$W10=1; ELSE \$W10=10;
,or; is missing	The number of ,(comma) that divides the argument is insufficient. The program is not divided by a ;(semicolon).	\$W10=1
FOR Statement is mismatch	FOR statement is not closed by NEXT	FOR(3) \$W0=\$W0+1;
	BREAK or CONTINUE is placed outside of FOR loops.	FOR(3) \$W0=\$W0+1; NEXT; BREAK;
Nest of FOR statement is exceeded the max. (Single loop only)	FOR is nested too deep. Nesting of loops is not supported.	FOR(3) \$W0=\$W0+1; FOR(5) \$W10=\$ W 10+10; NEXT; NEXT;

OMRON Corporation Industrial Automation Company

Tokyo, JAPAN

Contact: www.ia.omron.com

Regional Headquarters

OMRON EUROPE B.V.

Wegalaan 67-69-2132 JD Hoofddorp
The Netherlands

Tel: (31)2356-81-300/Fax: (31)2356-81-388

OMRON ELECTRONICS LLC

One Commerce Drive Schaumburg,
IL 60173-5302 U.S.A.

Tel: (1) 847-843-7900/Fax: (1) 847-843-7787

OMRON ASIA PACIFIC PTE. LTD.

No. 438A Alexandra Road # 05-05/08 (Lobby 2),
Alexandra Technopark,
Singapore 119967

Tel: (65) 6835-3011/Fax: (65) 6835-2711

OMRON (CHINA) CO., LTD.

Room 2211, Bank of China Tower,
200 Yin Cheng Zhong Road,
PuDong New Area, Shanghai, 200120, China

Tel: (86) 21-5037-2222/Fax: (86) 21-5037-2200

Authorized Distributor:

© OMRON Corporation 2009 All Rights Reserved.
In the interest of product improvement,
specifications are subject to change without notice.

Cat. No. V075-E1-13

1107