

A Series of Pull-reset Models Now Available

- Lineup includes three contact models with 2NC/1NO and 3NC contact forms in addition to the previous contact forms 1NC/1NO and 2NC.
- M12-connector models are available, saving on labor and simplifying replacement.
- Can be used with both standard loads and microloads.
- Conforms to the requirements for safety contacts in EN 115-1, EN 81-20, and EN 81-50 (slow-action models only).
- Certified standards: UL, EN (TÜV), and CCC

 Be sure to read the *Safety Precautions* on page 12.

Note: Contact your sales representative for details on models with safety standard certification.



Model Number Structure

Model Number Legend (Not all combinations are possible. Ask your OMRON representative for details.)

D4N-□□□□R

1 2 3

1. Conduit size

- 1: Pg13.5 (1-conduit)
- 2: G1/2 (1-conduit)
- 4: M20 (1-conduit)
- 6: G1/2 (2-conduit)
- 8: M20 (2-conduit)
- 9: M12 connector (1-conduit)

2. Built-in Switch

- A: 1NC/1NO (slow-action)
- B: 2NC (slow-action)
- C: 2NC/1NO (slow-action)
- D: 3NC (slow-action)

3. Actuator








- 20: Roller lever (resin lever, resin roller)
- 2G: Adjustable roller lever, form lock (metal lever, resin roller)
- 2H: Adjustable roller lever, form lock (metal lever, rubber roller)
- 31: Plunger
- 32: Roller plunger
- 62: One-way roller arm lever (horizontal)
- 72: One-way roller arm lever (vertical)

Ordering Information

List of Models

Safety Limit Switches (with Direct Opening Mechanism)

Consult with your OMRON representative when ordering any models that are not listed in this table.

| Actuator | Conduit size | | Built-in switch mechanism | | | | | | | |
|--|--------------|---------------|---------------------------|----------------|----------------------|----------------|--------------------------|----------------|----------------------|----------------|
| | | | 1NC/1NO (Slow-action) | | 2NC (Slow-action) | | 2NC/1NO (Slow-action) | | 3NC (Slow-action) | |
| | | | Model | Direct opening | Model | Direct opening | Model | Direct opening | Model | Direct opening |
| Roller lever (resin lever, resin roller)  | 1-conduit | Pg13.5 | D4N-1A20R | ⊙ | D4N-1B20R | ⊙ | D4N-1C20R | ⊙ | --- | ⊙ |
| | | G1/2 | D4N-2A20R | | D4N-2B20R | | D4N-2C20R | | --- | |
| | | M20 | D4N-4A20R | | D4N-4B20R | | D4N-4C20R | | D4N-4D20R | |
| | | M12 connector | D4N-9A20R | | D4N-9B20R | | --- | | --- | |
| | 2-conduit | G1/2 | D4N-6A20R | ⊙ | D4N-6B20R | ⊙ | --- | ⊙ | --- | --- |
| | | M20 | --- | --- | D4N-8B20R | --- | D4N-8C20R | --- | --- | --- |
| Adjustable roller lever, form lock (metal lever, resin roller)  | 1-conduit | Pg13.5 | D4N-1A2GR | ⊙ | D4N-1B2GR | ⊙ | D4N-1C2GR | ⊙ | D4N-1D2GR | ⊙ |
| | | G1/2 | D4N-2A2GR | | D4N-2B2GR | | D4N-2C2GR | | D4N-2D2GR | |
| | | M20 | D4N-4A2GR | | D4N-4B2GR | | D4N-4C2GR | | --- | |
| | | M12 connector | D4N-9A2GR | | D4N-9B2GR | | --- | | --- | |
| | 2-conduit | G1/2 | D4N-6A2GR | ⊙ | D4N-6B2GR | ⊙ | --- | --- | --- | --- |
| | | M20 | D4N-8A2GR | --- | --- | --- | --- | --- | --- | --- |
| Adjustable roller lever, form lock (metal lever, rubber roller)  | 1-conduit | Pg13.5 | D4N-1A2HR | ⊙ | --- | ⊙ | --- | ⊙ | --- | ⊙ |
| | | G1/2 | D4N-2A2HR | | D4N-2B2HR | | D4N-2C2HR | | D4N-2D2HR | |
| | | M20 | D4N-4A2HR | | --- | | D4N-4C2HR | | --- | |
| | | M12 connector | D4N-9A2HR | | --- | | --- | | --- | |
| | 2-conduit | G1/2 | D4N-6A2HR | ⊙ | --- | --- | --- | ⊙ | --- | --- |
| | | M20 | --- | --- | --- | --- | --- | --- | D4N-8D2HR | ⊙ |
| Plunger  | 1-conduit | Pg13.5 | D4N-1A31R | ⊙ | D4N-1B31R | ⊙ | D4N-1C31R | ⊙ | --- | ⊙ |
| | | G1/2 | D4N-2A31R | | D4N-2B31R | | D4N-2C31R | | D4N-2D31R | |
| | | M20 | D4N-4A31R | | D4N-4B31R | | D4N-4C31R | | --- | |
| | | M12 connector | D4N-9A31R | | D4N-9B31R | | --- | | --- | |
| | 2-conduit | G1/2 | D4N-6A31R | ⊙ | --- | ⊙ | --- | ⊙ | --- | --- |
| | | M20 | --- | --- | --- | --- | D4N-8C31R | --- | --- | --- |
| Roller plunger  | 1-conduit | Pg13.5 | D4N-1A32R | ⊙ | D4N-1B32R | ⊙ | --- | ⊙ | D4N-1D32R | ⊙ |
| | | G1/2 | D4N-2A32R | | D4N-2B32R | | D4N-2C32R | | --- | |
| | | M20 | D4N-4A32R | | D4N-4B32R | | D4N-4C32R | | D4N-4D32R | |
| | | M12 connector | D4N-9A32R | | D4N-9B32R | | --- | | --- | |
| | 2-conduit | G1/2 | D4N-6A32R | ⊙ | D4N-6B32R | ⊙ | D4N-6C32R | ⊙ | --- | --- |
| | | M20 | D4N-8A32R | --- | D4N-8B32R | --- | D4N-8C32R | --- | --- | --- |
| One-way roller arm lever (horizontal)  | 1-conduit | Pg13.5 | D4N-1A62R | ⊙ | D4N-1B62R | ⊙ | D4N-1C62R | ⊙ | D4N-1D62R | ⊙ |
| | | G1/2 | D4N-2A62R | | D4N-2B62R | | --- | | --- | |
| | | M20 | D4N-4A62R | | D4N-4B62R | | D4N-4C62R | | D4N-4D62R | |
| | | M12 connector | D4N-9A62R | | D4N-9B62R | | --- | | --- | |
| | 2-conduit | G1/2 | D4N-6A62R | ⊙ | D4N-6B62R | ⊙ | D4N-6C62R | ⊙ | D4N-6D62R | ⊙ |
| | | M20 | D4N-8A62R | --- | --- | --- | --- | --- | --- | --- |
| One-way roller arm lever (vertical)  | 1-conduit | Pg13.5 | D4N-1A72R | ⊙ | D4N-1B72R | ⊙ | --- | ⊙ | --- | --- |
| | | G1/2 | D4N-2A72R | | D4N-2B72R | | --- | | --- | |
| | | M20 | D4N-4A72R | | --- | | --- | | --- | |
| | | M12 connector | --- | | --- | | --- | | --- | |
| | 2-conduit | G1/2 | D4N-6A72R | ⊙ | D4N-6B72R | ⊙ | --- | --- | --- | --- |
| | | M20 | D4N-8A72R | --- | --- | --- | --- | --- | --- | --- |

Specifications

Standards and EC Directives

Conforms to the following EC Directives:

- Machinery Directive
- Low Voltage Directive
- EN50047
- EN60204-1
- EN ISO 14119
- GS-ET-15

Certified Standards

| Certification body | Standard | File No. |
|--------------------|---|----------|
| TÜV SÜD | EN60947-5-1 (certified direct opening) | *1 |
| UL *2 | UL508, CSA C22.2 No.14 | E76675 |
| CQC (CCC) *3 | GB/T14048.5 | *1 |

*1. Consult your OMRON representative for details.

*2. Certification for CSA C22.2 No. 14 is authorized by the UL mark.

*3. Ask your OMRON representative for information on certified models.

Certified Standard Ratings

TÜV (EN60947-5-1), CCC (GB/T14048.5)

| Item | Utilization category | AC-15 | DC-13 |
|-----------------------------------|----------------------|-------|--------|
| Rated operating current (I_e) | | 3 A | 0.27 A |
| Rated operating voltage (U_e) | | 240 V | 250 V |

Note: Use a 10 A fuse type gI or gG that conforms to IEC60269 as a short-circuit protection device. This fuse is not built into the Switch.

UL/CSA (UL508, CSA C22.2 No. 14)

A300

| Rated voltage | Carry current | Current (A) | | Volt-amperes (VA) | |
|---------------|---------------|-------------|-------|-------------------|-------|
| | | Make | Break | Make | Break |
| 120 VAC | 10 A | 60 | 6 | 7,200 | 720 |
| 240 VAC | | 30 | 3 | | |

Q300

| Rated voltage | Carry current | Current (A) | | Volt-amperes (VA) | |
|---------------|---------------|-------------|-------|-------------------|-------|
| | | Make | Break | Make | Break |
| 125 VDC | 2.5 A | 0.55 | 0.55 | 69 | 69 |
| 250 VDC | | 0.27 | 0.27 | | |

Characteristics

| | | |
|---|--|--|
| Degree of protection *1 | | IP67 (EN60947-5-1) |
| Durability *2 | Mechanical | 1,000,000 operations min. |
| | Electrical | 500,000 operations min. (3 A resistive load at 250 VAC) *3 300,000 operations min. (10 A resistive load at 250 VAC) |
| Operating speed | | 1 to 500 mm/s (D4N-1A20R) |
| Operating frequency | | 30 operations/minute max. |
| Contact resistance | | 25 mΩ max. |
| Minimum applicable load *4 | | 1 mA resistive load at 5 VDC (N-level reference value) |
| Rated insulation voltage (U_i) | | 300 V |
| Rated frequency | | 50/60 Hz |
| Protection against electric shock | | Class II (double insulation) |
| Pollution degree (operating environment) | | 3 (EN60947-5-1) |
| Impulse withstand voltage (EN60947-5-1) | Between terminals of same polarity | 2.5 kV |
| | Between terminals of different polarity | 4 kV |
| | Between each terminal and non-current carrying metallic parts | 6 kV |
| Insulation resistance | | 100 MΩ min. |
| Contact gap | | 2 × 2 mm min. |
| Vibration resistance | Malfunction | 10 to 55 Hz, 0.75 mm single amplitude |
| Shock resistance | Destruction | 1,000 m/s ² |
| | Malfunction | 300 m/s ² |
| Conditional short-circuit current | | 100 A (EN60947-5-1) |
| Conventional free air thermal current (I_{th}) | | 10 A (EN60947-5-1) |
| Ambient operating temperature | | -30 to 70°C (with no icing) |
| Ambient operating humidity | | 95% max. |
| Weight | | Approx. 92 g (D4N-1A20R) |

Note: 1. The above values are initial values.

2. Once a contact has been used to switch a standard load, it cannot be used for a load of a smaller capacity.

Doing so may result in roughening of the contact surface and contact reliability may be lost.

***1.** The degree of protection is tested using the method specified by the standard (EN60947-5-1). Confirm that sealing properties are sufficient for the operating conditions and environment beforehand. Although the switch box is protected from dust or water penetration, do not use the D4N-□R in places where foreign material such as dust, dirt, oil, water, or chemicals may penetrate through the head. Otherwise, accelerated wear, Switch damage or malfunctioning may occur.

***2.** The durability is for an ambient temperature of 5 to 35°C and an ambient humidity of 40% to 70%. For more details, consult your OMRON representative.

***3.** Do not pass the 3 A, 250 VAC load through more than 2 circuits.

***4.** This value will vary with the switching frequency, environment, and reliability level. Confirm that correct operation is possible with the actual load beforehand.

Structure and Nomenclature

Structure

Safety-oriented Lever Setting (Form lock mechanism)

Grooves which engage the lever are cut in the lever and rotary shaft to prevent the lever from slipping against the rotary shaft. The actuator locks (self-holding) when it moves to the lock position.

Reset Head (Blue)

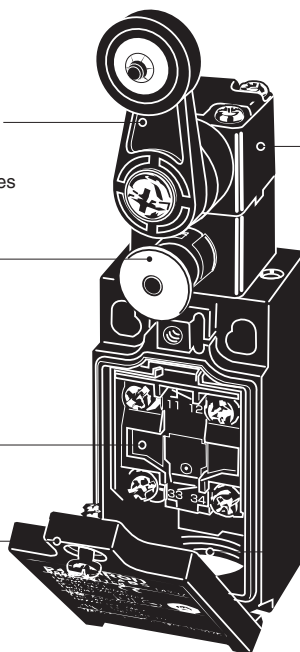
The direction of the reset head can be adjusted to any of the four directions.

Built-in Switch

The built-in switch has a direct opening mechanism that forcibly separates the NC contact even when there is contact deposit.

Cover

The cover, with a hinge on its lower part, can be opened by removing the screw of the cover, which ensures ease of maintenance and wiring.



Head

The direction of the Switch Head can be adjusted to any of the four directions, except for Switches with Roller Plungers, which can be adjusted to either of two directions differing by 90°C.

Conduit

A wide variety of conduits is available.

| Size | Box | 1-conduit model | 2-conduit model |
|---------------|-----|-----------------|-----------------|
| Pg13.5 | | Yes | --- |
| G1/2 | | Yes | Yes |
| M20 | | Yes | Yes |
| M12 connector | | Yes | --- |

Note: M12 connector types are not available for Switches with three contacts.

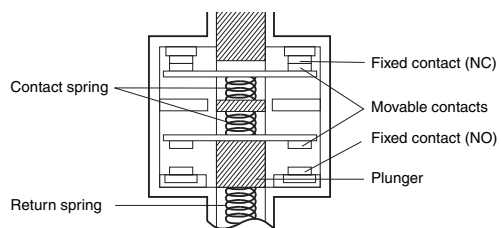
Contact Form

| Model | Contact | Contact form | Operating pattern | Remarks |
|----------|---------|--------------|-------------------|---|
| D4N-□A□R | 1NC/1NO | | | Only NC contacts 11-12 have a certified direct opening mechanism. (→) The terminals 11-12 and 33-34 can be used as unlike poles. |
| D4N-□B□R | 2NC | | | Only NC contacts 11-12 and 31-32 have a certified direct opening mechanism. (→) The terminals 11-12 and 31-32 can be used as unlike poles. |
| D4N-□C□R | 2NC/1NO | | | Only NC contacts 11-12 and 21-22 have a certified direct opening mechanism. (→) The terminals 11-12, 21-22, and 33-34 can be used as unlike poles. |
| D4N-□D□R | 3NC | | | Only NC contacts 11-12, 21-22, and 31-32 have a certified direct opening mechanism. (→) The terminals 11-12, 21-22, and 31-32 can be used as unlike poles. |

Note: Variation occurs in the simultaneity of contact opening/closing operations of 2NC, 2NC/1NO, and 3NC contacts. Check contact operation.

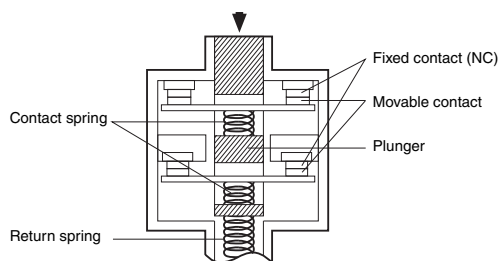
Direct Opening Mechanism

1NC/1NO Contact (Slow-action)



Conforms to EN60947-5-1 Direct Opening ⊖
 (Only NC Contact has a direct opening mechanism.)
 When contact welding occurs, the contacts are separated from each other by the plunger being pushed in.

2NC Contact (Slow-action)



Conforms to EN60947-5-1 Direct Opening ⊖
 (Both NC Contacts have a direct opening mechanism.)
 When contact welding occurs, the contacts are separated from each other by the plunger being pushed in.

Dimensions and Operating Characteristics

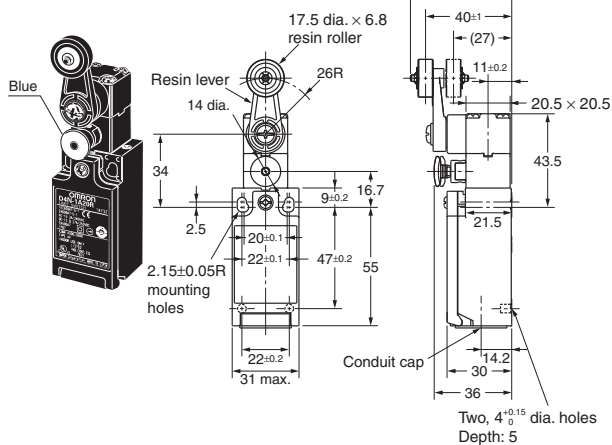
(Unit: mm)

Switches

1-conduit Models

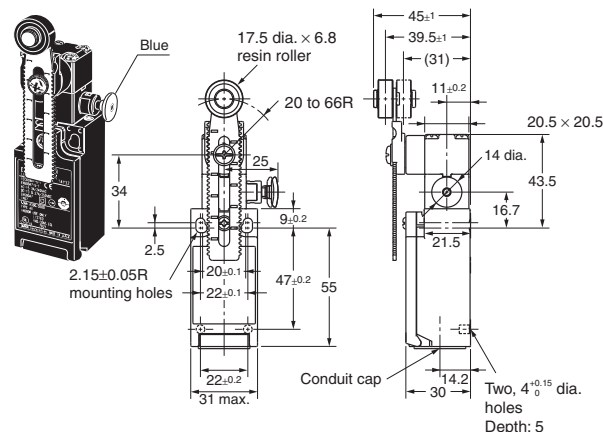
Roller Lever (Resin Lever, Resin Roller)

D4N-1□20R D4N-2□20R
D4N-4□20R D4N-9□20R *



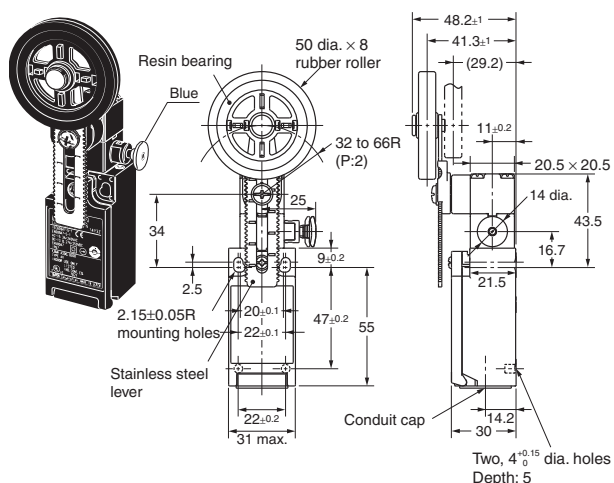
Adjustable Roller Lever, Form Lock (with Metal Lever, Resin Roller)

D4N-1□2GR D4N-2□2GR
D4N-4□2GR D4N-9□2GR *



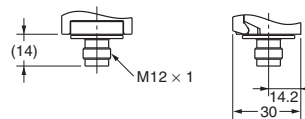
Adjustable Roller Lever, Form Lock (with Metal Lever, Rubber Roller)

D4N-1□2HR D4N-2□2HR
D4N-4□2HR D4N-9□2HR *



1-conduit M12 Connectors

D4N-9□□□R



Note: Unless otherwise specified, a tolerance of ±0.4 mm applies to all dimensions.

* Refer to the right above diagram for details on 1-conduit M12 connectors.

| Operating characteristics | | Model | D4N-□□20R | D4N-□□2GR *1 | D4N-□□2HR |
|---------------------------|-------------|-------|-----------|-----------------|-----------|
| Locking force | LF max. | | 6.4 N | 5.6 N | 5.4 N |
| Locking travel | LT max. | | 55° | 55° | 55° |
| Pretravel | PT 1 *2 | | 18 to 27° | 18 to 27° | 18 to 27° |
| Pretravel | (PT 2) *3 | | (44°) | (44°) | (44°) |
| Total travel | (TT) *4 | | 80° | 80° | 80° |
| Direct opening force | DOF min. *5 | | 20 N | 20 N | 20 N |
| Direct opening travel | DOT min. *5 | | 50° | 50° | 50° |

Note: Variation occurs in the simultaneity of contact opening/closing operations of 2NC, 2NC/1NO, and 3NC contacts. Check contact operation.

*1. The operating characteristics of these Switches were measured with the roller lever set at 32 mm.

*2. These PT values are possible when the NC contacts are open (OFF).

*3. These PT values are reference values possible when the NO contacts are closed (ON). (1NC/1NO models only)

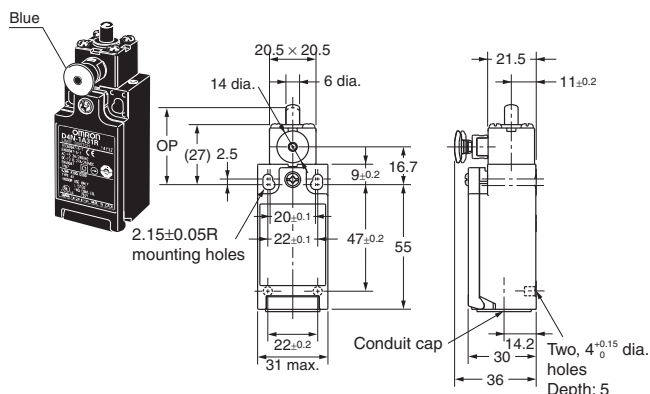
*4. Reference value.

*5. For safe use, always make sure that the minimum values or greater are provided.

1-conduit Models

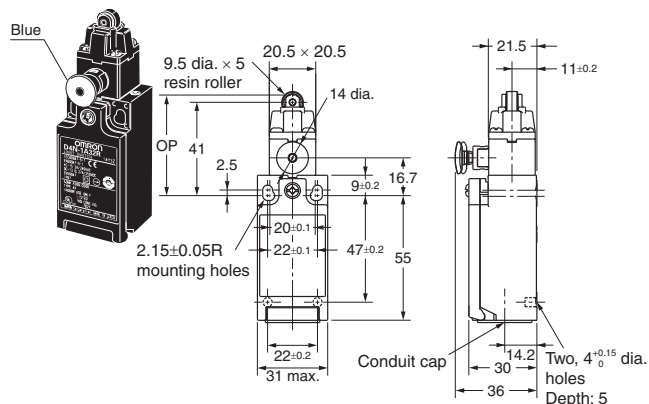
Plunger

D4N-1□31R D4N-2□31R
D4N-4□31R D4N-9□31R *



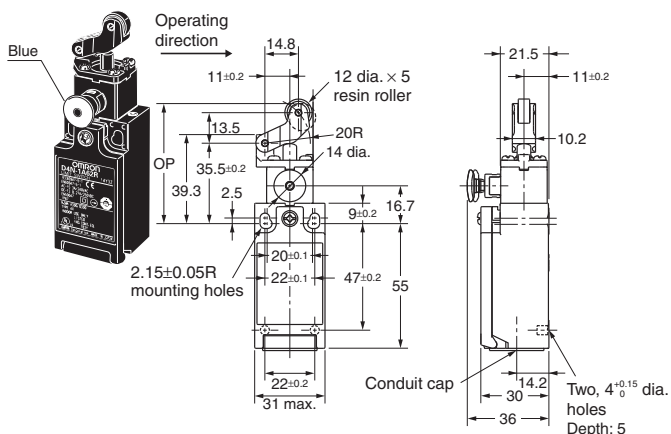
Roller Plunger

D4N-1□32R D4N-2□32R
D4N-4□32R D4N-9□32R *



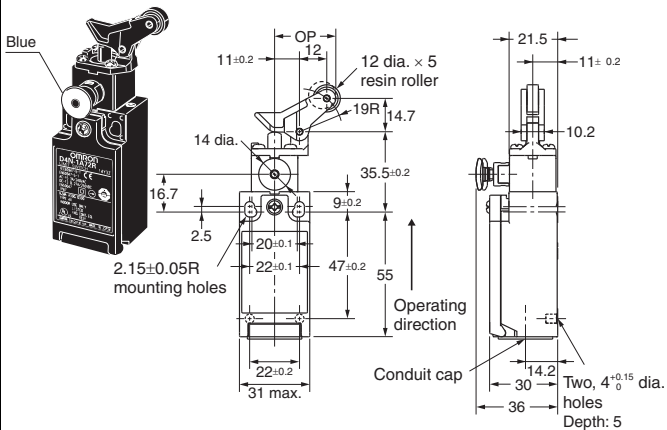
One-way Roller Arm Lever (Horizontal)

D4N-1□62R D4N-2□62R
D4N-4□62R D4N-9□62R *



One-way Roller Arm Lever (Vertical)

D4N-1□72R D4N-2□72R
D4N-4□72R



Note: Unless otherwise specified, a tolerance of ±0.4 mm applies to all dimensions.

* Refer to page 7 for details on 1-conduit M12 connectors.

| Model | | D4N-□□31R | D4N-□□32R | D4N-□□62R | D4N-□□72R |
|---------------------------|--------------|------------|--------------|------------|------------|
| Operating characteristics | | | | | |
| Locking force | LF max. | 10.8 N | 10.8N | 7.5 N | 7.9 N |
| Locking travel | LT max. | 4.5 mm | 4.5 mm | 7 mm | 7 mm |
| Pretravel | PT 1 max. *1 | 2 mm | 2 mm | 4 mm | 4 mm |
| Pretravel | (PT 2) *2 | (2.9 mm) | (2.9 mm) | (5.2 mm) | (4.3 mm) |
| Operating position | OP | 34 ±0.5 mm | 44.4 ±0.8 mm | 53 ±0.8 mm | 27 ±0.8 mm |
| Total travel | (TT) *3 | (6 mm) | (6 mm) | (9 mm) | (9 mm) |
| Direct opening force | DOF min. *4 | 20 N | 20 N | 20 N | 20 N |
| Direct opening travel | DOT min. *4 | 3.2 mm | 3.2 mm | 5.8 mm | 4.8 mm |

Note: Variation occurs in the simultaneity of contact opening/closing operations of 2NC, 2NC/1NO, and 3NC contacts. Check contact operation.

*1. These PT values are possible when the NC contacts are open (OFF).

*2. These PT values are reference values possible when the NO contacts are closed (ON). (1NC/1NO models only)

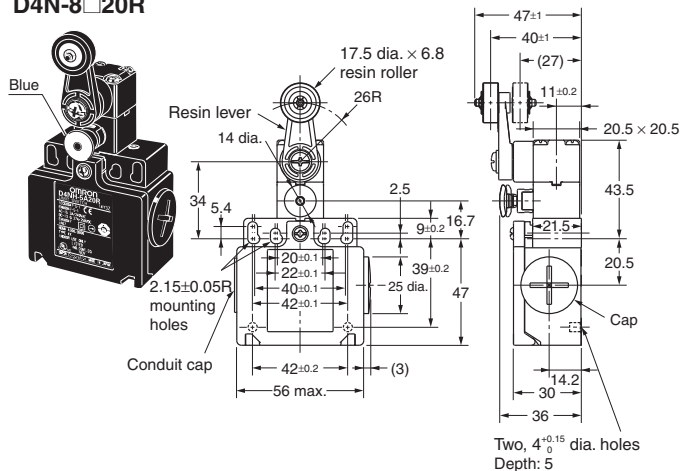
*3. Reference value.

*4. For safe use, always make sure that the minimum values or greater are provided.

2-conduit Models

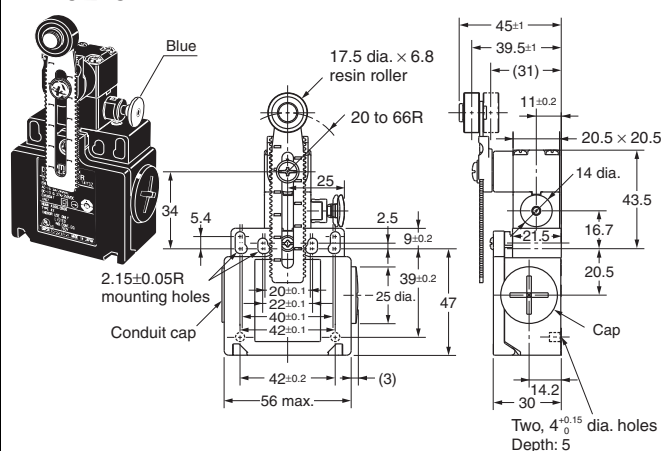
Roller Lever (Resin Lever, Resin Roller)

D4N-6□20R
D4N-8□20R



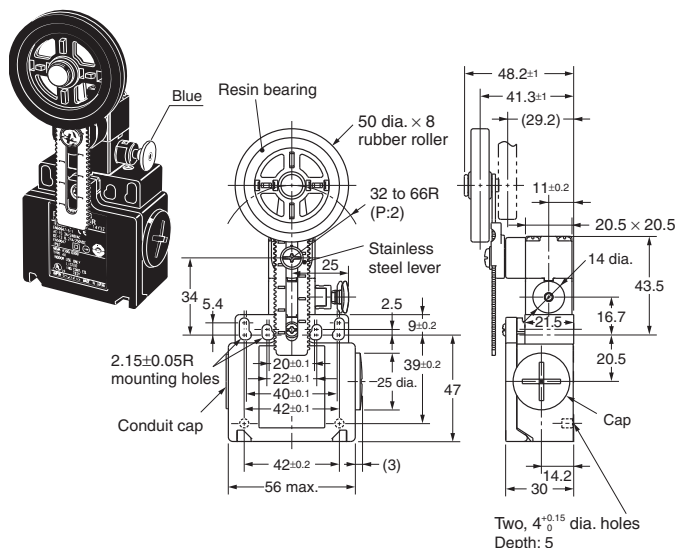
Adjustable Roller Lever, Form Lock (with Metal Lever, Resin Roller)

D4N-6□2GR
D4N-8□2GR



Adjustable Roller Lever, Form Lock (with Metal Lever, Rubber Roller)

D4N-6□2HR
D4N-8□2HR



Note: Unless otherwise specified, a tolerance of ±0.4 mm applies to all dimensions.

| Model | | D4N-□□20R | D4N-□□2GR | D4N-□□2HR |
|----------------------------------|-------------|------------|------------|------------|
| Operating characteristics | | | | |
| Locking force | LF max. | 6.4 N | 5.6 N | 5.4 N |
| Locking travel | LT max. | 55° | 55° | 55° |
| Pretravel | PT 1 *1 | 18° to 27° | 18° to 27° | 18° to 27° |
| Pretravel | (PT 2) *2 | (44°) | (44°) | (44°) |
| Total travel | (TT) *3 | 80° | 80° | 80° |
| Direct opening force | DOF min. *4 | 20 N | 20 N | 20 N |
| Direct opening travel | DOT min. *4 | 50° | 50° | 50° |

Note: Variation occurs in the simultaneity of contact opening/closing operations of 2NC, 2NC/1NO, and 3NC contacts. Check contact operation.

*1. These PT values are possible when the NC contacts are open (OFF).

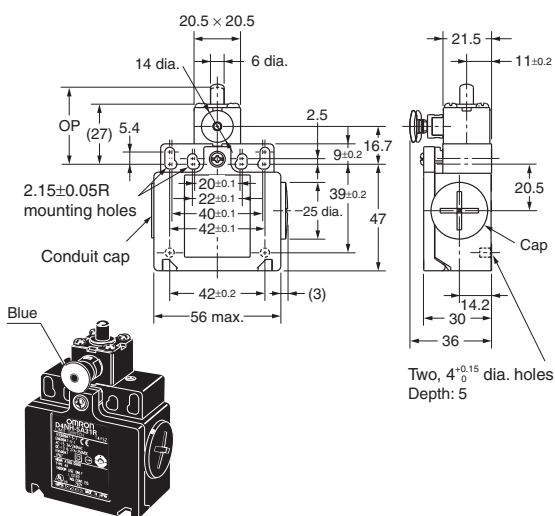
*2. These PT values are reference values possible when the NO contacts are closed (ON). (1NC/1NO models only)

*3. Reference value.

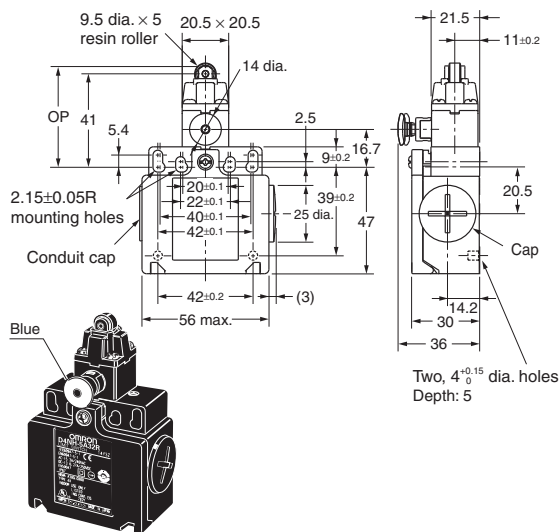
*4. For safe use, always make sure that the minimum values or greater are provided.

2-conduit Models

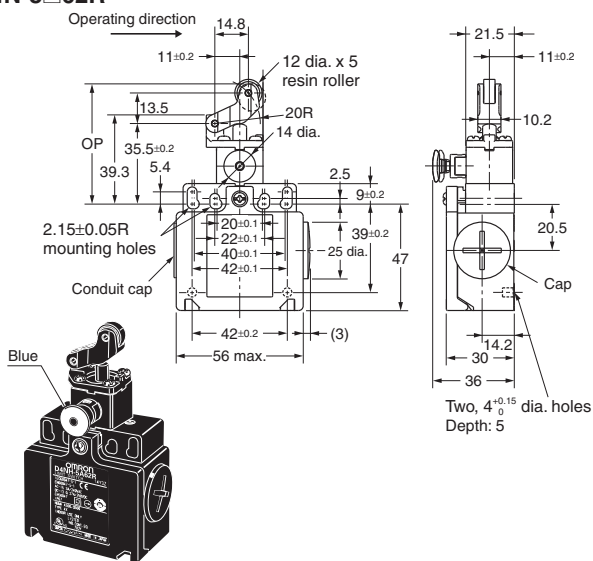
Plunger
D4N-6□31R
D4N-8□31R



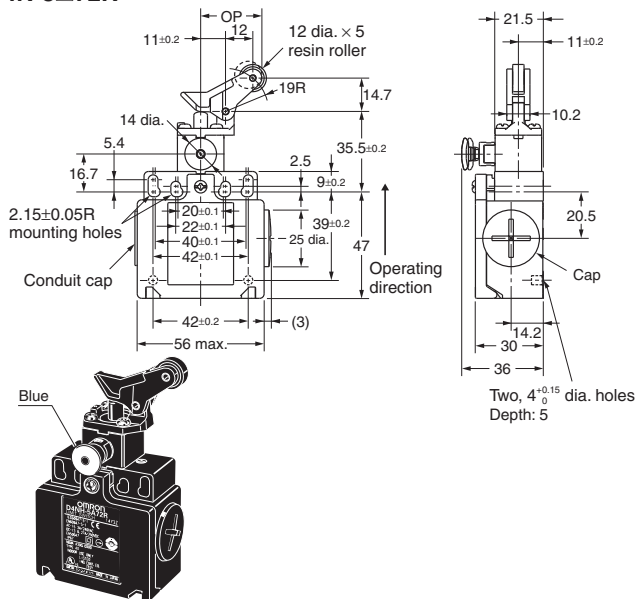
Roller Plunger
D4N-6□32R
D4N-8□32R



One-way Roller Arm Lever
(Horizontal)
D4N-6□62R
D4N-8□62R



One-way Roller Arm Lever
(Vertical)
D4N-6□72R
D4N-8□72R



Note: Unless otherwise specified, a tolerance of ±0.4 mm applies to all dimensions.

| Model | | D4N-□□31R | D4N-□□32R | D4N-□□62R | D4N-□□72R |
|---------------------------|--------------|------------|--------------|------------|------------|
| Operating characteristics | | | | | |
| Locking force | LF max. | 10.8 N | 10.8N | 7.5 N | 7.9 N |
| Locking travel | LT max. | 4.5 mm | 4.5 mm | 7 mm | 7 mm |
| Pretravel | PT 1 max. *1 | 2 mm | 2 mm | 4 mm | 4 mm |
| Pretravel | (PT 2) *2 | (2.9 mm) | (2.9 mm) | (5.2 mm) | (4.3 mm) |
| Operating position | OP | 34 ±0.5 mm | 44.4 ±0.8 mm | 53 ±0.8 mm | 27 ±0.8 mm |
| Total travel | (TT) *3 | (6 mm) | (6 mm) | (9 mm) | (9 mm) |
| Direct opening force | DOF min. *4 | 20 N | 20 N | 20 N | 20 N |
| Direct opening travel | DOT min. *4 | 3.2 mm | 3.2 mm | 5.8 mm | 4.8 mm |

Note: Variation occurs in the simultaneity of contact opening/closing operations of 2NC, 2NC/1NO, and 3NC contacts. Check contact operation.

*1. These PT values are possible when the NC contacts are open (OFF).

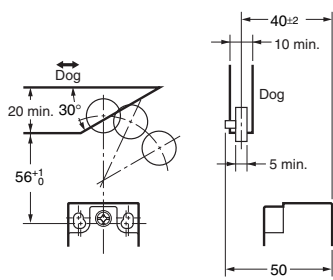
*2. These PT values are reference values possible when the NO contacts are closed (ON). (1NC/1NO models only)

*3. Reference value.

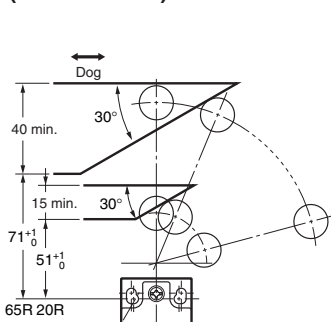
*4. For safe use, always make sure that the minimum values or greater are provided.

Levers Refer to the following diagrams for the angles and positions of the dogs.

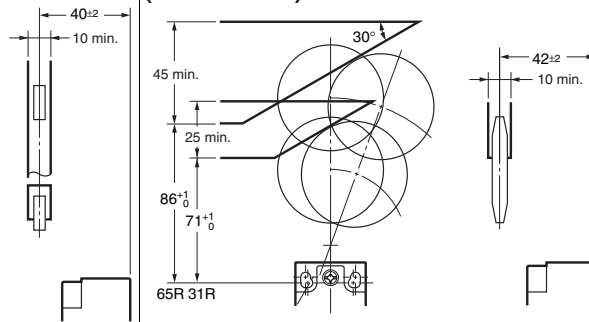
**Roller Lever
(D4N-□□20R)**



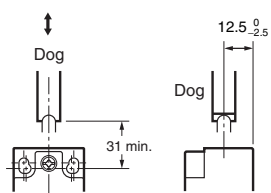
**Adjustable Roller Lever, Form Lock
(with Metal Lever, Resin Roller)
(D4N-□□2GR)**



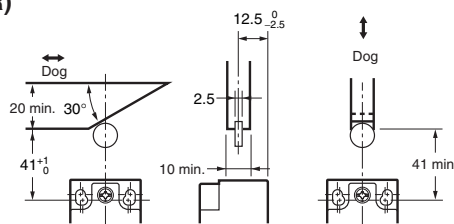
**Adjustable Roller Lever, Form Lock
(with Metal Lever, Rubber Roller)
(D4N-□□2HR)**



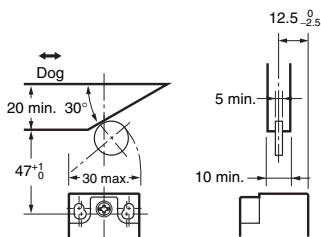
**Sealed Plunger
(D4N-□□31R)**



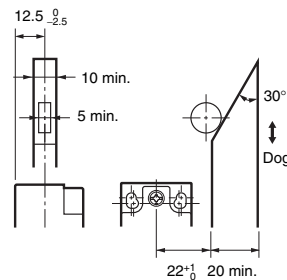
**Roller Plunger
(D4N-□□32R)**



**One-way Roller Arm Lever
(Horizontal)
(D4N-□□62R)**



**One-way Roller Arm Lever
(Vertical)
(D4N-□□72R)**



Note: Unless otherwise specified, a tolerance of ±0.4 mm applies to all dimensions.

Safety Precautions

● Be sure to read the precautions for all D4N-□R models in the website at: <http://www.ia.omron.com/>.

CAUTION

Electric shock may occasionally occur.
Do not use metal connectors or metal conduits.



Precautions for Safe Use

- Do not use the Switch submerged in oil or water, or in locations continuously subject to splashes of oil or water. Doing so may result in oil or water entering the Switch interior. (The IP67 degree of protection specification for the Switch refers to water penetration while the Switch is submersed in water for a specified period of time.)
- Always attach the cover after completing wiring and before using the Switch. Also, do not turn ON the Switch with the cover open. Doing so may result in electric shock.
- Do not switch circuits for two or more standard loads (250 VAC, 3 A). Doing so may adversely affect insulation performance.
- Make sure that the actuator is pushed into the lock position. Not doing so may result in the actuator becoming unlocked, causing an accident.
- Always reset the Switch manually. Not doing so may result in damage to the reset function.

Precautions for Correct Use

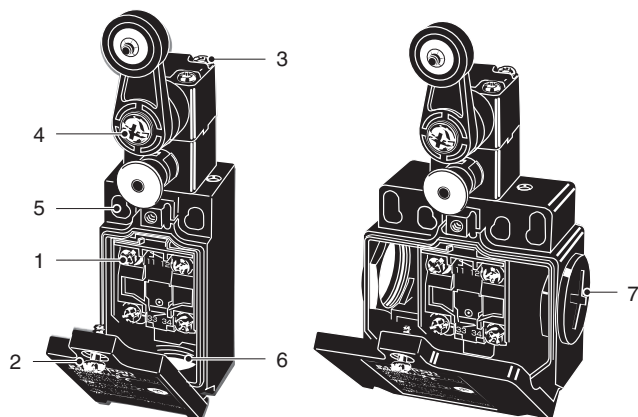
The Switch contacts can be used with either standard loads or microloads. Once the contacts have been used to switch a load, however, they cannot be used to switch smaller loads. The contact surfaces will become rough once they have been used and contact reliability for smaller loads may be reduced.

Mounting Method

Appropriate Tightening Torque

Tighten each of the screws to the specified torque. Loose screws may result in malfunction of the Switch within a short time.

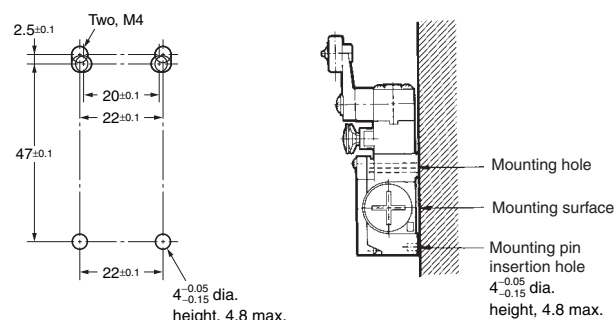
| | | |
|---|------------------------|----------------|
| 1 | Terminal screw | 0.6 to 0.8 N·m |
| 2 | Cover mounting screw | 0.5 to 0.7 N·m |
| 3 | Head mounting screw | 0.5 to 0.6 N·m |
| 4 | Lever mounting screw | 1.6 to 1.8 N·m |
| 5 | Body mounting screw | 0.5 to 0.7 N·m |
| 6 | Connector, M12 adaptor | 1.8 to 2.2 N·m |
| 7 | Cap screw | 1.3 to 1.7 N·m |



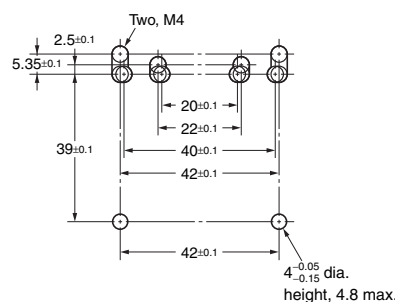
Switch Mounting

- Mount the Switch using M4 screws and spring washers and tighten the screws to the specified torque.
- For safety, use screws that cannot be easily removed, or use an equivalent measure to ensure that the Switch is secure.
- As shown below, two studs with a maximum height of 4.8 mm and a diameter of $4_{-0.15}^{+0.05}$ mm can be provided, the studs inserted into the holes on the bottom of the Switch, and the Switch secured at four locations to increase the mounting strength.

Switch Mounting Holes One-conduit Type



Two-conduit Type



Changing the Head Direction

By removing the four screws of the head, the mounting direction of the head can be changed. The head can be mounted in four directions. Be sure that no foreign material will enter the head during a change in direction.

Changing the Lever

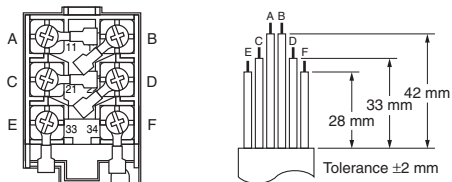
The lever mounting screws can be used to set the lever position to any position in a 360° angle at 7.5° increments. Grooves are incised on the lever and rotary shaft that engage to prevent the lever from slipping against the rotary shaft. The screws on adjustable roller lever models can also be loosened to change the length of the lever. Remove the screws from the front of the lever before mounting the lever in reverse (front/back), and set the level so that operation will be completed before exceeding a range of 180° on the horizontal.

Wiring

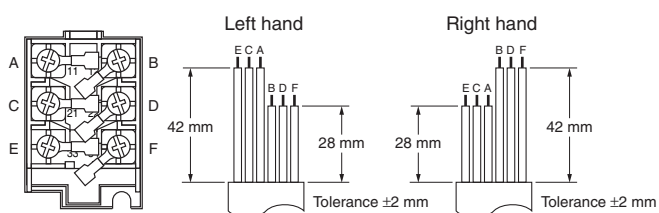
Wiring

- When connecting to the terminals via insulating tube and M3.5 crimp terminals, arrange the crimp terminals as shown below so that they do not rise up onto the case or the cover.
- Applicable lead wire size: AWG20 to AWG18 (0.5 to 0.75 mm²).
- Use lead wires of an appropriate length, as shown below. Not doing so may result in excess length causing the cover to rise and not fit properly.

One-conduit Type (3 Poles)



Two-conduit Type (3 Poles)

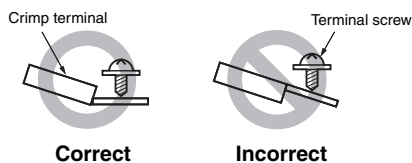
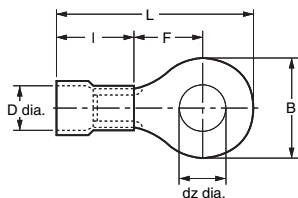


- Do not push crimp terminals into gaps in the case interior. Doing so may cause damage or deformation of the case.
- Use crimp terminals not more than 0.5 mm in thickness. Otherwise, they will interfere with other components inside the case.

[Reference] The crimp terminals shown below are not more than 0.5 mm thick.

| Manufacturer | Type |
|-----------------|--------------------------|
| J.S.T. Mfg. Co. | FN0.5-3.7 (F Type) |
| | N0.5-3.7 (Straight Type) |

t: 0.5 mm
dz dia.: 3.7 mm
D dia.: 2.9 mm
B: 6.6 mm
L: 19 mm
F: 7.7 mm
I: 8.0 mm

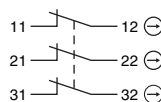


Contact Arrangement

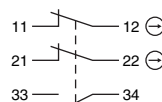
- The contact arrangements are shown below.

Screw Terminal Type

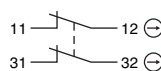
D4N-□D□□R (3NC)



D4N-□C□□R (2NC/1NO)



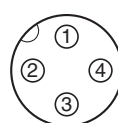
D4N-□B□□R (2NC)



D4N-□A□□R (1NC/1NO)

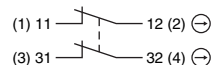


Connector Type



Pin No. (Terminal No.)

D4N-9B□□R (2NC)



D4N-9A□□R (1NC/1NO)



- Applicable socket: XS2F-D421 series (OMRON).
- Refer to the *Connector Catalog* for details on socket pin numbers and lead wire colors.

Socket Tightening (Connector Type)

- Turn the socket connector screws by hand and tighten until no space remains between the socket and the plug.
- Make sure that the socket connector is tightened securely. Otherwise, the rated degree of protection (IP67) may not be maintained and vibration may loosen the socket connector.

Conduit Opening

- Connect a recommended connector to the opening of the conduit and tighten the connector to the specified torque. The case may be damaged if an excessive tightening torque is applied.
- Use a cable with a suitable diameter for the connector.
- Attach and tighten a conduit cap to the unused conduit opening when wiring. Tighten the conduit cap to the specified torque. The conduit cap is provided with the Switch (2-conduit types).

Recommended Connectors

Use connectors with screws not exceeding 9 mm, otherwise the screws will protrude into the case interior, interfering with other components in the case.

The connectors listed in the following table have connectors with thread sections not exceeding 9 mm.

Use the recommended connectors to ensure conformance to IP67.

| Size | Manufacturer | Model | Applicable cable diameter |
|--------|--------------|---------------------------|---------------------------|
| G1/2 | LAPP | ST-PF1/2 5380-1002 | 6.0 to 12.0 mm |
| Pg13.5 | LAPP | ST-13.5 5301-5030 | 6.0 to 12.0 mm |
| M20 | LAPP | ST-M20 × 1.5 5311-1020 | 7.0 to 13.0 mm |

Use LAPP connectors together with seal packing (JPK-16, GP-13.5, or GPM20), and tighten to the specified tightening torque. Seal packing is sold separately.

- LAPP is a German manufacturer.

Others

- When attaching a cover, be sure that the seal rubber is in place and that there is no foreign material present. If the cover is attached with the seal rubber out of place or if foreign material is stuck to the rubber, a proper seal will not be obtained.
- Do not use any screws to connect the cover other than the specified ones. The seal characteristics may be reduced.
- With rubber roller lever models, the rubber roller may turn white over time, but this will not affect the quality of operation.
- Use the following recommended countermeasures to prevent telegraphing when using adjustable or long levers.
 1. Make the rear edge of the dog smooth with an angle of 15° to 30° or make it in the shape of a quadratic curve.
 2. Design the circuit so that no error signal will be generated.

Terms and Conditions Agreement

Read and understand this catalog.

Please read and understand this catalog before purchasing the products. Please consult your OMRON representative if you have any questions or comments.

Warranties.

(a) Exclusive Warranty. Omron's exclusive warranty is that the Products will be free from defects in materials and workmanship for a period of twelve months from the date of sale by Omron (or such other period expressed in writing by Omron). Omron disclaims all other warranties, express or implied.

(b) Limitations. OMRON MAKES NO WARRANTY OR REPRESENTATION, EXPRESS OR IMPLIED, ABOUT NON-INFRINGEMENT, MERCHANTABILITY OR FITNESS FOR A PARTICULAR PURPOSE OF THE PRODUCTS. BUYER ACKNOWLEDGES THAT IT ALONE HAS DETERMINED THAT THE PRODUCTS WILL SUITABLY MEET THE REQUIREMENTS OF THEIR INTENDED USE.

Omron further disclaims all warranties and responsibility of any type for claims or expenses based on infringement by the Products or otherwise of any intellectual property right. (c) Buyer Remedy. Omron's sole obligation hereunder shall be, at Omron's election, to (i) replace (in the form originally shipped with Buyer responsible for labor charges for removal or replacement thereof) the non-complying Product, (ii) repair the non-complying Product, or (iii) repay or credit Buyer an amount equal to the purchase price of the non-complying Product; provided that in no event shall Omron be responsible for warranty, repair, indemnity or any other claims or expenses regarding the Products unless Omron's analysis confirms that the Products were properly handled, stored, installed and maintained and not subject to contamination, abuse, misuse or inappropriate modification. Return of any Products by Buyer must be approved in writing by Omron before shipment. Omron Companies shall not be liable for the suitability or unsuitability or the results from the use of Products in combination with any electrical or electronic components, circuits, system assemblies or any other materials or substances or environments. Any advice, recommendations or information given orally or in writing, are not to be construed as an amendment or addition to the above warranty.

See <http://www.omron.com/global/> or contact your Omron representative for published information.

Limitation on Liability: Etc.

OMRON COMPANIES SHALL NOT BE LIABLE FOR SPECIAL, INDIRECT, INCIDENTAL, OR CONSEQUENTIAL DAMAGES, LOSS OF PROFITS OR PRODUCTION OR COMMERCIAL LOSS IN ANY WAY CONNECTED WITH THE PRODUCTS, WHETHER SUCH CLAIM IS BASED IN CONTRACT, WARRANTY, NEGLIGENCE OR STRICT LIABILITY.

Further, in no event shall liability of Omron Companies exceed the individual price of the Product on which liability is asserted.

Suitability of Use.

Omron Companies shall not be responsible for conformity with any standards, codes or regulations which apply to the combination of the Product in the Buyer's application or use of the Product. At Buyer's request, Omron will provide applicable third party certification documents identifying ratings and limitations of use which apply to the Product. This information by itself is not sufficient for a complete determination of the suitability of the Product in combination with the end product, machine, system, or other application or use. Buyer shall be solely responsible for determining appropriateness of the particular Product with respect to Buyer's application, product or system. Buyer shall take application responsibility in all cases.

NEVER USE THE PRODUCT FOR AN APPLICATION INVOLVING SERIOUS RISK TO LIFE OR PROPERTY OR IN LARGE QUANTITIES WITHOUT ENSURING THAT THE SYSTEM AS A WHOLE HAS BEEN DESIGNED TO ADDRESS THE RISKS, AND THAT THE OMRON PRODUCT(S) IS PROPERLY RATED AND INSTALLED FOR THE INTENDED USE WITHIN THE OVERALL EQUIPMENT OR SYSTEM.

Programmable Products.

Omron Companies shall not be responsible for the user's programming of a programmable Product, or any consequence thereof.

Performance Data.

Data presented in Omron Company websites, catalogs and other materials is provided as a guide for the user in determining suitability and does not constitute a warranty. It may represent the result of Omron's test conditions, and the user must correlate it to actual application requirements. Actual performance is subject to the Omron's Warranty and Limitations of Liability.

Change in Specifications.

Product specifications and accessories may be changed at any time based on improvements and other reasons. It is our practice to change part numbers when published ratings or features are changed, or when significant construction changes are made. However, some specifications of the Product may be changed without any notice. When in doubt, special part numbers may be assigned to fix or establish key specifications for your application. Please consult with your Omron's representative at any time to confirm actual specifications of purchased Product.

Errors and Omissions.

Information presented by Omron Companies has been checked and is believed to be accurate; however, no responsibility is assumed for clerical, typographical or proofreading errors or omissions.