

## A Micro CJ1M CPU Unit with Built-in Ethernet Newly Released!

- SYSMAC CJ-series CPU Unit with the functionality of an Ethernet Unit.



CJ1M-CPU11-ETN


## Features

- Compact 90 × 65 mm (H × D) dimensions are first class in the industry.
- SYSMAC CJ-series CPU Unit with the functionality of an Ethernet Unit.
- The CPU functional element has the same functionality as a CJ1M-CPU11/12/13. This enables effective usage of legacy applications.
- High-capacity Memory Cards up to 128 MB can be installed, and used to backup the program and system settings, or log customer data.
- The large instruction set can support diverse applications. Four types of programming are supported (ladder, structured text, sequential function charts, and instruction lists), with approximately 400 instructions and 800 instruction variations.
- These CJ-series CPU Units support structured programming using function blocks, which can improve the customer's program development resources.
- The various protection functions provide improved security to protect valuable software resources and property.
- The CPU Units are compatible with the CX-One Integrated Tool Package. Information for each component can be linked, and the system's data can be integrated into one database. The software can provide total support from PLC settings to network startup.

## Ordering Information

### Applicable standards

Refer to the OMRON website ([www.ia.omron.com](http://www.ia.omron.com)) or ask your OMRON representative for the most recent applicable standards for each model.

Product name		Specifications					Current consumption (A)		Model
		I/O capacity/Mountable Units (Expansion Racks)	Program capacity	Data memory capacity	LD instruction execution time	Ethernet function	5 V	24 V	
CJ1M CPU Units		640 points/20 Units (1 Expansion Racks max.)	20K steps	32K words (DM: 32K words, EM: None)	0.1 μs	YES (See note 1.)	0.95 (See note 2.)	—	CJ1M-CPU13-ETN
		320points/10 Units (No Expansion Rack)	10K steps				0.95 (See note 2.)	—	CJ1M-CPU12-ETN
		160 points/10 Units (No Expansion Rack)	5K steps				0.95 (See note 2.)	—	CJ1M-CPU11-ETN (See notes 3.)

### Note: 1. Ethernet function

The Ethernet functional element provides the main functions of the CJ1W-ETN21 Ethernet Unit.

Physical layer	Maximum number of nodes in FINS network	Communications service
100BASE-TX, 10BASE-T	254	<ul style="list-style-type: none"> <li>• FINS communications service</li> <li>• FTP server</li> <li>• Automatically adjusted clock information.</li> <li>• Web functions</li> </ul>

Socket services and sending/receiving mail are not supported.

2. Current consumptions include current for a Programming Console. Add 0.15 A per Adapter when using NT-AL001 RS-232C/RS-232A Adapters.  
Add 0.04 A per Adapter when using CJ1W-CIF11 RS-422A Adapters.
3. The CJ1M low-end models (CJ1M-CPU11(-ETN)/CPU21) have different specifications for the overhead processing time, number of subroutines, number of jumps, and number of scheduled interrupts than the other CJ1M models (CJ1M-CPU12(-ETN)/CPU13(-ETN)/CPU22/CPU23).  
For details, refer to the SYSMAC CJ-series Operation Manual (Cat. No. W474).

## Accessories

The following accessories come with CPU Unit:

Item	Specification
Battery	CJ1W-BAT01
End Cover	CJ1W-TER01 (necessary to be mouned at the right end of CPU Rack)
End Plate	PFP-M (2 pcs)
Serial Port (RS-232C) Connector	Connector set for serial port connection (D-SUB 9-pin male connector)

## Common Specifications

Item		Specifications											
Control method		Stored program											
I/O control method		Cyclic scan and immediate processing are both possible.											
Programming Languages		Ladder Logic (LD), Sequential Function Charts (SFC), Structured Text (ST), and Mnemonic.											
CPU processing mode		Normal Mode or Peripheral Servicing Priority Mode											
Instruction length		1 to 7 steps per instruction											
Ladder instructions		Approx. 400 (3-digit function codes)											
Execution time	Basic instructions	0.10 μs min.											
	Special instructions	0.15 μs min.											
Overhead time		CJ1M-CPU12-ETN/CPU13-ETN : 0.5 ms min. CJ1M-CPU11-ETN : 0.7 ms min.											
Unit connection method		No Backplane: Units connected directly to each other.											
Mounting method		DIN Track (screw mounting not possible)											
Maximum number of connectable Units		Total of 19 Units, including 9 Units on CPU Rack and 10 Units on one Expansion Rack. (The built-in Ethernet port on the CPU Unit must be allocated to a slots 0, and is counted as one Unit.											
Maximum number of Expansion Racks		<ul style="list-style-type: none"> <li>• CJ1M-CPU13-ETN: 1 max. (An I/O Control Unit is required on the CPU Rack and an I/O Interface Unit is required on the Expansion Rack.)</li> <li>• CJ1M-CPU11-ETN/12-ETN: Expansion is not possible.</li> </ul>											
Number of tasks		288 (cyclic tasks: 32, interrupt tasks: 256) With CJ1-H or CJ1M CPU Units, interrupt tasks can be defined as cyclic tasks called extra cyclic tasks. Including these, up to 288 cyclic tasks can be used. <b>Note 1.</b> Cyclic tasks are executed each cycle and are controlled with TKON(820) and TKOF(821) instructions. <b>2.</b> The following 4 types of interrupt tasks are supported. Power OFF interrupt tasks: 1 max. Scheduled interrupt tasks : 2 max. I/O interrupt tasks: 32 max. External interrupt tasks: 256 max.											
Interrupt types		Scheduled Interrupts: Interrupts generated at a time scheduled by the CPU Units built-in timer. I/O Interrupts: Interrupts from Interrupt Input Units. Power OFF Interrupts (See note): Interrupts executed when the CPU Units power is turned OFF. External I/O Interrupts: Interrupts from the Special I/O Units or CPU Bus Units. <b>Note:</b> Not supported when the CJ1W-PD022 Power Supply Unit is mounted.											
Calling subroutines from more than one task		Supported (called global subroutines).											
CIO (Core I/O) Area	I/O Area	2,560 (CIO 000000 to CIO 015915 (160 words from CIO 0000 to CIO 0159) The setting of the first word can be changed from the default (CIO 0000) so that CIO 0000 to CIO 0999 can be used. I/O bits are allocated to Basic I/O Units.											
	Link Area	3,200 (200 words): CIO 10000 to CIO 119915 (words CIO 1000 to CIO 1199) Link bits are used for data links and are allocated to Units in Controller Link Systems.											
	CPU Bus Unit Area	6,400 (400 words): CIO 150000 to CIO 189915 (words CIO 1500 to CIO 1899) CPU Bus Unit bits store the operating status of CPU Bus Units. (25 words per Unit, 16 Units max.)											
	Special I/O Unit Area	15,360 (960 words): CIO 200000 to CIO 295915 (words CIO 2000 to CIO 2959) Special I/O Unit bits are allocated to Special I/O Units. (10 words per Unit, 96 Units max.)											
	Serial PLC Link Area (CJ1M CPU Units only)	1,440 (90 words): CIO 310000 to CIO 318915 (words CIO 3100 to CIO 3189)											
	DeviceNet Area	9,600 (600 words): CIO 320000 to CIO 379915 (words CIO 3200 to CIO 3799) DeviceNet bits are allocated to Slaves for DeviceNet Unit remote I/O communications when the Master function is used with fixed allocations. <table border="1" data-bbox="523 1664 1129 1832"> <tbody> <tr> <td>Fixed allocation setting 1</td> <td>Outputs: CIO 3200 to CIO 3263 Inputs: CIO 3300 to CIO 3363</td> </tr> <tr> <td>Fixed allocation setting 2</td> <td>Outputs: CIO 3400 to CIO 3463 Inputs: CIO 3500 to CIO 3563</td> </tr> <tr> <td>Fixed allocation setting 3</td> <td>Outputs: CIO 3600 to CIO 3663 Inputs: CIO 3700 to CIO 3763</td> </tr> </tbody> </table> <p>The following words are allocated to the Master function even when the DeviceNet Unit is used as a Slave.</p> <table border="1" data-bbox="523 1895 1129 2063"> <tbody> <tr> <td>Fixed allocation setting 1</td> <td>Outputs: CIO 3370 (Slave to Master) Inputs: CIO 3270 (Master to Slave)</td> </tr> <tr> <td>Fixed allocation setting 2</td> <td>Outputs: CIO 3570 (Slave to Master) Inputs: CIO 3470 (Master to Slave)</td> </tr> <tr> <td>Fixed allocation setting 3</td> <td>Outputs: CIO 3770 (Slave to Master) Inputs: CIO 3670 (Master to Slave)</td> </tr> </tbody> </table>	Fixed allocation setting 1	Outputs: CIO 3200 to CIO 3263 Inputs: CIO 3300 to CIO 3363	Fixed allocation setting 2	Outputs: CIO 3400 to CIO 3463 Inputs: CIO 3500 to CIO 3563	Fixed allocation setting 3	Outputs: CIO 3600 to CIO 3663 Inputs: CIO 3700 to CIO 3763	Fixed allocation setting 1	Outputs: CIO 3370 (Slave to Master) Inputs: CIO 3270 (Master to Slave)	Fixed allocation setting 2	Outputs: CIO 3570 (Slave to Master) Inputs: CIO 3470 (Master to Slave)	Fixed allocation setting 3
Fixed allocation setting 1	Outputs: CIO 3200 to CIO 3263 Inputs: CIO 3300 to CIO 3363												
Fixed allocation setting 2	Outputs: CIO 3400 to CIO 3463 Inputs: CIO 3500 to CIO 3563												
Fixed allocation setting 3	Outputs: CIO 3600 to CIO 3663 Inputs: CIO 3700 to CIO 3763												
Fixed allocation setting 1	Outputs: CIO 3370 (Slave to Master) Inputs: CIO 3270 (Master to Slave)												
Fixed allocation setting 2	Outputs: CIO 3570 (Slave to Master) Inputs: CIO 3470 (Master to Slave)												
Fixed allocation setting 3	Outputs: CIO 3770 (Slave to Master) Inputs: CIO 3670 (Master to Slave)												

The CIO Area can be used as work bits if the bits are not used as shown here.

Item		Specifications
CIO (Core I/O) Area	Internal I/O Area	4,800 bits (300 words): CIO 120000 to CIO 149915 (words CIO 1200 to CIO 1499) 37,504 (2,344 words): CIO 380000 to CIO 614315 (words CIO 3800 CIO 6143) These bits in the CIO Area are used as work bits in programming to control program execution. They cannot be used for external I/O.
	Work Area	8,192 bits (512 words): W00000 to W51115 (W000 to W511) Controls the programs only. (I/O from external I/O terminals is not possible.) <b>Note:</b> When using work bits in programming, use the bits in the Work Area first before using bits from other areas.
Holding Area		8,192 bits (512 words): H00000 to H51115 (H000 to H511) Holding bits are used to control the execution of the program, and maintain their ON/OFF status when the PLC is turned OFF or the operating mode is changed. <b>Note:</b> The Function Block Holding Area words are allocated from H512 to H1535. These words can be used only for the function block instance area (internally allocated variable area).
Auxiliary Area		Read only: 7,168 bits (448 words): A00000 to A44715 (words A000 to A447) Read/write: 8,192 bits (512 words): A44800 to A95915 (words A448 to A959) Auxiliary bits are allocated specific functions.
Temporary Area		16 bits (TR0 to TR15) Temporary bits are used to temporarily store the ON/OFF execution conditions at program branches.
Timer Area		4,096: T0000 to T4095 (used for timers only)
Counter Area		4,096: C0000 to C4095 (used for counters only)
DM Area		32 Kwords: D00000 to D32767 Used as a general-purpose data area for reading and writing data in word units (16 bits). Words in the DM Area maintain their status when the PLC is turned OFF or the operating mode is changed. Internal Special I/O Unit DM Area: D20000 to D29599 (100 words × 96 Units) Used to set parameters for Special I/O Units. CPU Bus Unit DM Area: D30000 to D31599 (100 words × 16 Units) Used to set parameters for CPU Bus Units.
EM Area		None
Index Registers		IR0 to IR15 Store PLC memory addresses for indirect addressing. Index registers can be used independently in each task. One register is 32 bits (2 words). Setting to use index registers either independently in each task or to share them between tasks.
Task Flag Area		32 (TK0000 to TK0031) Task Flags are read-only flags that are ON when the corresponding cyclic task is executable and OFF when the corresponding task is not executable or in standby status.
Trace Memory		4,000 words (trace data: 31 bits, 6 words)
File Memory		<ul style="list-style-type: none"> <li>Memory Cards: Compact flash memory cards can be used (MS-DOS format).</li> <li>OMRON Memory Cards can be used.</li> </ul>
Function Specifications	Constant cycle time	1 to 32,000 ms (Unit: 1 ms)
	Cycle time monitoring	Possible (Unit stops operating if the cycle is too long): 10 to 40,000 ms (Unit: 10 ms)
	I/O refreshing	Cyclic refreshing, immediate refreshing, refreshing by IORF(097). <b>Note:</b> ORF(097) refreshes I/O bits allocated to Basic I/O Units and Special I/O Units.
	Timing of special refreshing for CPU Bus Units	Data links for Controller Link Units remote I/O for DeviceNet Units, and other special refreshing for CPU Bus Units is performed at the following times: I/O refresh period and when the CPU BUS UNIT I/O REFRESH (DLNK(226)) instruction is executed.
	I/O memory holding when changing operating modes	Depends on the ON/OFF status of the IOM Hold Bit in the Auxiliary Area.
	Load OFF	All outputs on Output Units can be turned OFF when the CPU Unit is operating in RUN, MONITOR, or PROGRAM mode.
	Timer/Counter PV refresh method	BCD or binary (CX-Programmer Ver. 3.0 or higher).
	Input response time setting	Time constants can be set for inputs from Basic I/O Units. The time constant can be increased to reduce the influence of noise and chattering or it can be decreased to detect shorter pulses on the inputs.
	Mode setting at power-up	Possible. <b>Note:</b> By default, the CPU Unit will start in RUN mode if a Programming Console is not connected.
Flash memory (CJ1-H and CJ1M CPU Units only)		<ul style="list-style-type: none"> <li>The user program and parameter area data (e.g., PLC Setup) are always backed up automatically in flash memory. (automatic backup and restore.)</li> <li>CPU Units with unit version 3.0 or later only: When downloading projects from CX-Programmer Ver. 5.0 or higher, symbol table files (including CX-Programmer symbol names, I/O comments), comment files (CX-Programmer rung comments, other comments), and program index files (CX-Programmer section names, section comments, or program comments) are stored in comment memory within the flash memory.</li> </ul>



## Ethernet Functional Element Transfer Specifications

Item		Specifications		
Model		CJ1M-CPU11-ETN	CJ1M-CPU12-ETN	CJ1M-CPU13-ETN
Media access method		CSMA/CD		
Modulation method		Baseband		
Transmission paths		Star form		
Baud rate		100 Mbit/s (100Base-TX), 10 Mbit/s (10Base-T)		
Transmission media	100 Mbit/s	Unshielded twisted-pair (UDP) cable Categories: 5, 5e Shielded twisted-pair (STP) cable Categories: 100 Ω at 5, 5e		
	10 Mbit/s	Unshielded twisted-pair (UDP) cable Categories: 3, 4, 5, 5e Shielded twisted-pair (STP) cable Categories: 100 Ω at 3, 4, 5, 5e		
Transmission distance		100 m (distance between hub and node)		
Number of cascade connections		There are no restrictions with the use of switching hubs.		
CPU Bus Unit System Setup Area capacity		994 bytes		

**Note:** The system settings for Ethernet are in the CPU Bus Unit System Setup Area in the CPU Unit.

## Comparison between Ethernet Functional Elements and Ethernet Units

The following table shows the differences between CJ1M CPU Units with Ethernet Functions and CJ-series Ethernet Units.

Item		CJ-series Ethernet Unit	CJ1M CPU Units with Ethernet	
<b>Model number</b>		CJ1W-ETN21	CJ1M-CPU11-ETN CJ1M-CPU12-ETN CJ1M-CPU13-ETN	
<b>Physical layer</b>		100BASE-TX, 10BASE-T	Same	
<b>Number of nodes on FINS network</b>		254	Same	
<b>Removing Ethernet functional element</b>		Possible	Not possible	
<b>Server specification</b>		Specification by IP address or host name specifications (DNS client function)	Same	
<b>Communications service</b>	<b>FINS communications service</b>	FINS/UDP FINS/TCP	Same	
	<b>FTP server function</b>	The CPU Unit's file memory (Memory Card or EM file memory) can be read/written.	The CPU functional element's file memory (Memory Card only) can be read/written.	
	<b>Automatic clock information adjustment</b>	The CPU Unit's internal clock data can be automatically adjusted to the clock data received from the SNTP server	Same	
	<b>Web functions</b>	The Unit settings can be made and status can be read from a Web browser using the Web server.	Same	
	<b>Mail functions</b>	Mail send functions Mail receive functions	Not possible	
	<b>Socket service function</b>	TCP socket services UDP socket services	Not possible	
	<b>FINS commands</b>	RESET		Same
		CONTROLLER DATA READ		Same Responds to CJ1W-ETN21
		CONTROLLER STATUS READ		Same
		ECHOBACK TEST		Same
		BROADCAST TEST (READ RESULTS)		Same
		BROADCAST TEST (SEND TEST DATA)		Same
		ERROR LOG READ		Same
		ERROR LOG CLEAR		Same
		REQUEST TO OPEN UDP SOCKET		Not possible
		REQUEST TO RECEIVE UDP SOCKET		Not possible
		REQUEST TO SEND UDP SOCKET		Not possible
		REQUEST TO CLOSE UDP SOCKET		Not possible
		REQUEST TO OPEN TCP SOCKET (PASSIVE)		Not possible
		REQUEST TO OPEN TCP SOCKET (ACTIVE)		Not possible
		REQUEST TO RECEIVE TCP SOCKET		Not possible
		REQUEST TO SEND TCP SOCKET		Not possible
		REQUEST TO CLOSE TCP SOCKET		Not possible
		EXECUTE PING COMMAND		Same
		REQUEST TO CHANGE REMOTE NODE FOR FINS/TCP CONNECTION		Same
		REQUEST TO READ STATUS FOR FINS/TCP CONNECTION		Same
		IP ADDRESS TABLE WRITE		Same
		IP ADDRESS WRITE		Same
		IP ADDRESS TABLE READ		Same
	IP ROUTING TABLE READ		Same	
PROTOCOL STATUS READ		Same		
MEMORY STATUS READ		Same		
SOCKET STATUS READ		Same		
ADDRESS DATA READ		Same		
IP ADDRESS READ		Same		

## Unit Versions

Units	Models	Unit Version	
		CPU Functional element	Ethernet Functional element
CJ1M CPU Unit (with Ethernet Function)	CJ1M-CPU1□-ETN	Unit Version 4.0	Unit Version 1.4 Unit Version 1.5

## Functions Supported for Unit Versions of CJ1M CPU Units with Ethernet

### Functions Supported for Unit Version 4.0 or Later

CX-Programmer version 7.0 or higher must be used to enable using the functions added for unit version 4.0.

More functions will be supported if you use CX-Programmer version 7.2 or higher.

CPU Unit		CJ1M CPU Unit with Ethernet	
Models		CJ1M-CPU1□-ETN	
Unit version		Unit version 4.0 or later	Other unit versions
Function			
Online editing of function blocks Note: Online editing is not supported by CX-Simulator.		OK	—
Input-output variables for function blocks		OK	—
Text strings (STRING data type) for function blocks		OK	—
New application instructions	Number-Text String Conversion Instructions: NUM4, NUM8, NUM16, STR4, STR8, and STR16	OK	—
	TEXT FILE WRITE (TWRIT)	OK	—
Using ST language in task programs		OK with CX-Programmer Ver.7.2 or later	—
Using SFC language in task programs		OK with CX-Programmer Ver.7.2 or later	—

User programs that contain functions supported only by CPU Units with unit version 4.0 or later cannot be used on CS/CJ-series CPU Units with unit version 3.0 or earlier. An error message will be displayed if an attempt is made to download programs containing unit version 4.0 functions to a CPU Unit with a unit version of 3.0 or earlier, and the download will not be possible.

If an object program file (.OBJ) using these functions is transferred to a CPU Unit with a unit version of 3.0 or earlier, a program error will occur when operation is started or when the unit version 4.0 function is executed, and CPU Unit operation will stop.

### Functions Supported for Version 1.5 or Later of the Ethernet Functional Element

CX-Programmer version 8.2 or higher must be used to enable using the functions added for Ethernet functional element version 1.5.

CPU Unit type		CJ1M CPU Unit (with Ethernet function)	
Model		CJ1M-CPU1□-ETN	
Unit version		Ethernet Functional Element with unit version 1.5 or later	Other unit versions
Function			
Using subnet mask settings to enable CIDR		OK with CX-Programmer Ver.8.2 or later	—

## Unit Versions and Programming Devices

The following tables show the relationship between unit versions and CX-Programmer versions.

### Unit Versions and Programming Devices

CPU Functional Element	Functions		CX-Programmer				Programming Console
			Ver. 3.3	Ver. 4.0	Ver. 5.0 Ver. 6.0	Ver. 7.0 or later	
Unit Ver.4.0	Functions added for unit version 4.0	Using new functions	—	—	—	OK	No restrictions
		Not using new functions	OK	OK	OK	OK	

Ethernet Functional Element	Functions		CX-Programmer		Programming Console
			Ver. 8.1	Ver. 8.2 or later	
Unit Ver.1.5	Functions added for unit version 1.5	Using new functions	—	OK	No restrictions
		Not using new functions	OK	OK	

### Device Type Setting

The unit version does not affect the setting made for the device type on the CX-Programmer. Select the device type as shown in the following table regardless of the unit version of the CPU Unit.

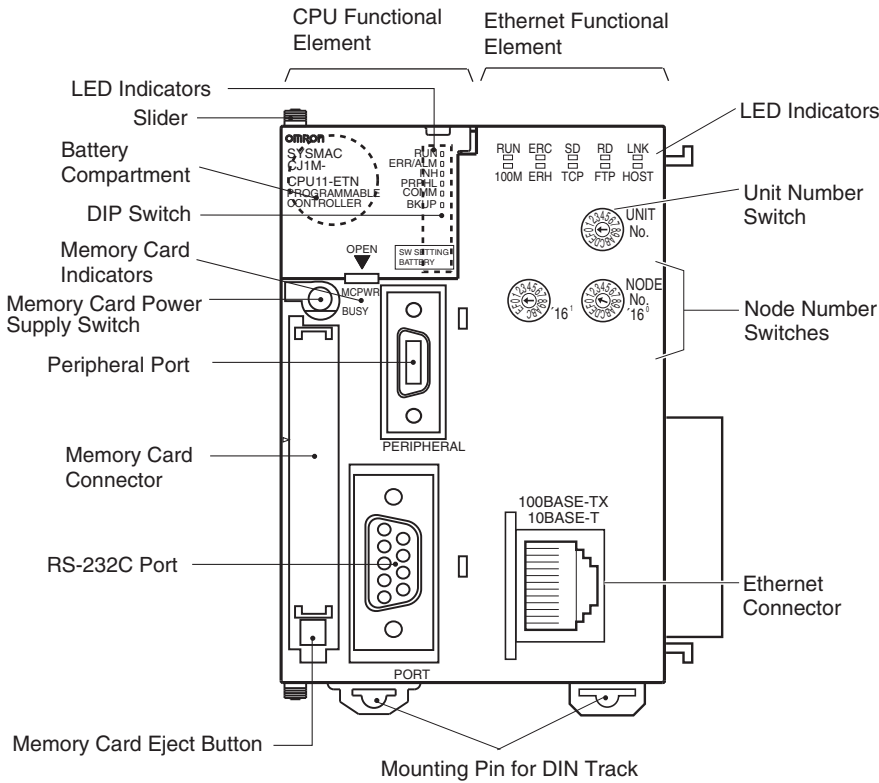
Series	CPU Unit group	CPU Unit model	Device type setting on CX-Programmer Ver. 4.0 or higher
CJ-Series	CJ1M CPU Units (with Ethernet function)	CJ1M-CPU1□-ETN	CJ1M

**Note:** Select the CPU type either CPU11, CPU12, or CPU13 as the CPU type for CJ1M.



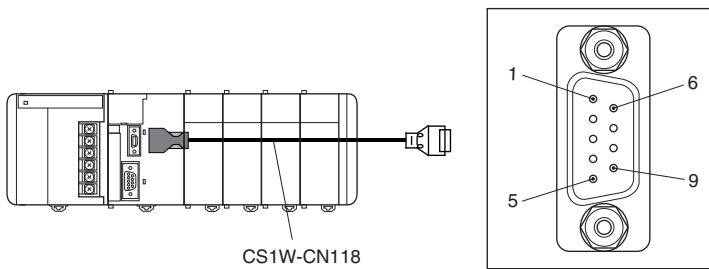
## External Interface

A CJ-series CJ1M CPU Unit (with Ethernet function) provides three communications ports (a peripheral port, an RS-232C port and Ethernet connectors).



### Peripheral port

The peripheral port is used to connect a Programming Device (including a Programming Console) or a host computer. It can also be used as an RS-232C port by connecting a suitable cable, such as the CS1W-CN118 or CS1W-CN□26. The connector pin arrangement when using a connecting cable for an RS-232C port is shown below.

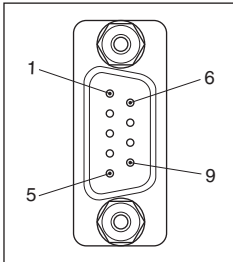


Pin No.	Signal	Name	Direction
1	—	—	—
2	SD (TXD)	Send data	Output
3	RD (RXD)	Receive data	Input
4	RS (RTS)	Request to send	Output
5	CS (CTS)	Clear to send	Input
6	Reserved	None	—
7	—	—	—
8	—	—	—
9	SG (0V)	Signal ground	—
Connector hood	FG	Protection earth	—

## RS-232C Port

Item	Specification
Communications method	Half duplex
Synchronization	Start-stop
Baud rate	0.3/0.6/1.2/2.4/4.8/9.6/19.2/38.4/57.6/115.2 kbps (See note.)
Transmission distance	15 m max.
Interface	EIA RS-232C
Protocol	Host Link, NT Link, 1:N, No-protocol, or Peripheral Bus

**Note:** Baud rates for the RS-232C are specified only up to 19.2 kbps. The CJ-Series supports serial communications from 38.4 kbps to 115.2 kbps, but some computers cannot support these speeds. Lower the baud rate if necessary.



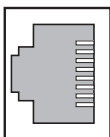
Pin No.	Signal	Name	Direction
1	FG	Protection earth	—
2	SD (TXD)	Send data	Output
3	RD (RXD)	Receive data	Input
4	RS (RTS)	Request to send	Output
5	CS (CTS)	Clear to send	Input
6	5V	Power supply	—
7	DR (DSR)	Data set ready	Input
8	ER (DTR)	Data terminal ready	Output
9	SG (0V)	Signal ground	—
Connector hood	FG	Protection earth	—

**Note:** Do not use the 5-V power from pin 6 of the RS-232C port for anything but the NT-AL001-E Link Adapter. Using this power supply for any other external device may damage the CPU Unit or the external device.

## Ethernet Connectors

The following standards and specifications apply to the connectors for the Ethernet twisted-pair cable.

- Electrical specifications: Conforming to IEEE802.3 standards.
- Connector structure: RJ45 8-pin Modular Connector  
(conforming to ISO 8877)



Pin No.	Signal	Name	Direction
1	TD+	Transmission data +	Output
2	TD-	Transmission data -	Output
3	RD+	Reception data +	Input
4	—	Not used.	—
5	—	Not used.	—
6	RD-	Reception data -	Input
7	—	Not used.	—
8	—	Not used.	—
Hood	FG	Frame ground	—



## Related Manuals

Cat. No.	Model	Manual	Application	Description
W441	CJ1M-CPU1□-ETN	CJ-series CJ1M CPU Unit (with Ethernet function) Operation Manual	Information on CPU Units with Ethernet, including an overview, specifications, and maintenance	Describes the following for CJ1M CPU Units with Ethernet function <ul style="list-style-type: none"> <li>• Overview and features</li> <li>• Basic system configuration</li> </ul> Also refer to the Operation Manual (W393) and Ethernet Units Operation Manual (W420 and W421)
W393	CJ1H-CPU□□□H-R CJ1G-CPU□□□ CJ1M-CPU□□□ CJ1G-CPU□□□P CJ1G/H-CPU□□□H	SYSMAC CJ/NSJ Series Operation Manual	Basic specifications on CJ-series PLCs, including an overview, designing, installation, and maintenance	Describes the following for CJ-series CPU Units <ul style="list-style-type: none"> <li>• Overview and features</li> <li>• System configuration</li> <li>• Mounting and setting procedure</li> <li>• Remedies for errors</li> </ul> Also refer to the Programming Manual (W394)
W394	CS1G/H-CPU□□□H CS1G/H-CPU□□□-EV1 CS1D-CPU□□□HA CS1D-CPU□□□SA CS1D-CPU□□□H CS1D-CPU□□□S CJ1H-CPU□□□H-R CJ1G/H-CPU□□□H CJ1G-CPU□□□ CJ1G-CPU□□□P CJ1M-CPU□□□ NSJ□□□□□□□□□□	SYSMAC CS/CJ/NSJ Series Programming Manual	Information on all of the PLCs in the CS/CJ Series	This manual describes programming and other methods to use the functions of the CS/CJ-series and NSJ-series PLCs.
W474	CS1□-CPU□□□□□-□□ CJ1□-CPU□□□□□-□□ CJ2□-CPU□□□□□-□□ NSJ□□□□□□□□□□	CS/CJ/NSJ-series Instructions Reference Manual	Information on instructions	Describes each programming instruction in detail. Also refer to the Software User's Manual for the CPU Units when you do programming.
W342	CJ2H-CPU6□□-EIP CJ2H-CPU6□□ CS1G/H-CPU□□□H CS1G/H-CPU□□□-V1 CS1D-CPU□□□HA CS1D-CPU□□□SA CS1D-CPU□□□H CS1D-CPU□□□S CS1W-SCU□□□□-V1 CS1W-SCB□□□□-V1 CJ1H-CPU□□□H-R CJ1G/H-CPU□□□H CJ1G-CPU□□□P CJ1M-CPU□□□ CJ1G-CPU□□□ CJ1W-SCU□□□□-V1 CP1H-X□□□□□□-□ CP1H-XA□□□□□□-□ CP1H-Y□□□□□□-□ CP1E-□□□□□□□□-□ NSJ□□□□□□□□□□	CS/CJ/CP/NSJ-series Communications Command Reference Manual	Information on communications for CS/CJ/CP-series CPU Units and NSJ-series Controllers	Describes C-mode commands and FINS commands Refer to this manual for a detailed description of commands for communications with the CPU Unit using C mode commands or FINS commands. <b>Note:</b> This manual describes the communications commands that are addressed to CPU Units. The communications path that is used is not relevant and can include any of the following: serial ports on CPU Units, communications ports on Serial Communications Units/Boards, and Communications Units. For communications commands addressed to Special I/O Units or CPU Bus Units, refer to the operation manual for the related Unit.
W341	CQM1H-PRO01-E CQM1-PRO01-E C200H-PRO27-E	SYSMAC CS/CJ Series Programming Consoles Operation Manual	Programming Console operating procedure	Provides information on how to program and operate CS/CJ-series PLCs using a Programming Console.
W420	CS1W-ETN21 CJ1W-ETN21	Ethernet Units Operation Manual Construction of Networks	Information when using an Ethernet Unit	Provides information on operating and installing 100Base-TX Ethernet Units, including details on basic settings and FINS communications. Refer to the Communications Commands Reference Manual (W342) for details on FINS commands that can be sent to CS-series and CJ-series CPU Units when using the FINS communications service.
W421	CS1W-ETN21 CJ1W-ETN21	Ethernet Units Operation Manual Construction of Applications		Provides information on constructing host applications for 100Base-TX Ethernet Units, including functions for sending/receiving mail, socket service, automatic clock adjustment, FTP server functions, and FINS communications.
W446		CX-Programmer Operation Manual	Support Software for Windows computers	Describes operating procedures for the CX-Programmer. Also refer to the Software User's Manual (W473) and Instructions Reference Manual (W474) when you do programming.
W447	WS02-CXPC□-V□	CX-Programmer Operation Manual Functions Blocks	CX-Programmer operating procedure	
W464	CXONE-AL□□□□-V□	CS/CJ/CP/NSJ-series CX-Integrator Network Configuration Software Operation Manual	Network setup and monitoring	Describes the operating procedures for the CX-Integrator.
W463	CXONE-AL□□□□-V□	CX-One Setup Manual	Installing software from the CX-One	Provides an overview of the CX-One FA Integrated Tool Package and describes the installation procedure.

## Terms and Conditions Agreement

### Read and understand this catalog.

Please read and understand this catalog before purchasing the products. Please consult your OMRON representative if you have any questions or comments.

### Warranties.

(a) Exclusive Warranty. Omron's exclusive warranty is that the Products will be free from defects in materials and workmanship for a period of twelve months from the date of sale by Omron (or such other period expressed in writing by Omron). Omron disclaims all other warranties, express or implied.

(b) Limitations. OMRON MAKES NO WARRANTY OR REPRESENTATION, EXPRESS OR IMPLIED, ABOUT NON-INFRINGEMENT, MERCHANTABILITY OR FITNESS FOR A PARTICULAR PURPOSE OF THE PRODUCTS. BUYER ACKNOWLEDGES THAT IT ALONE HAS DETERMINED THAT THE PRODUCTS WILL SUITABLY MEET THE REQUIREMENTS OF THEIR INTENDED USE.

Omron further disclaims all warranties and responsibility of any type for claims or expenses based on infringement by the Products or otherwise of any intellectual property right. (c) Buyer Remedy. Omron's sole obligation hereunder shall be, at Omron's election, to (i) replace (in the form originally shipped with Buyer responsible for labor charges for removal or replacement thereof) the non-complying Product, (ii) repair the non-complying Product, or (iii) repay or credit Buyer an amount equal to the purchase price of the non-complying Product; provided that in no event shall Omron be responsible for warranty, repair, indemnity or any other claims or expenses regarding the Products unless Omron's analysis confirms that the Products were properly handled, stored, installed and maintained and not subject to contamination, abuse, misuse or inappropriate modification. Return of any Products by Buyer must be approved in writing by Omron before shipment. Omron Companies shall not be liable for the suitability or unsuitability or the results from the use of Products in combination with any electrical or electronic components, circuits, system assemblies or any other materials or substances or environments. Any advice, recommendations or information given orally or in writing, are not to be construed as an amendment or addition to the above warranty.

See <http://www.omron.com/global/> or contact your Omron representative for published information.

### Limitation on Liability: Etc.

OMRON COMPANIES SHALL NOT BE LIABLE FOR SPECIAL, INDIRECT, INCIDENTAL, OR CONSEQUENTIAL DAMAGES, LOSS OF PROFITS OR PRODUCTION OR COMMERCIAL LOSS IN ANY WAY CONNECTED WITH THE PRODUCTS, WHETHER SUCH CLAIM IS BASED IN CONTRACT, WARRANTY, NEGLIGENCE OR STRICT LIABILITY.

Further, in no event shall liability of Omron Companies exceed the individual price of the Product on which liability is asserted.

### Suitability of Use.

Omron Companies shall not be responsible for conformity with any standards, codes or regulations which apply to the combination of the Product in the Buyer's application or use of the Product. At Buyer's request, Omron will provide applicable third party certification documents identifying ratings and limitations of use which apply to the Product. This information by itself is not sufficient for a complete determination of the suitability of the Product in combination with the end product, machine, system, or other application or use. Buyer shall be solely responsible for determining appropriateness of the particular Product with respect to Buyer's application, product or system. Buyer shall take application responsibility in all cases.

NEVER USE THE PRODUCT FOR AN APPLICATION INVOLVING SERIOUS RISK TO LIFE OR PROPERTY OR IN LARGE QUANTITIES WITHOUT ENSURING THAT THE SYSTEM AS A WHOLE HAS BEEN DESIGNED TO ADDRESS THE RISKS, AND THAT THE OMRON PRODUCT(S) IS PROPERLY RATED AND INSTALLED FOR THE INTENDED USE WITHIN THE OVERALL EQUIPMENT OR SYSTEM.

### Programmable Products.

Omron Companies shall not be responsible for the user's programming of a programmable Product, or any consequence thereof.

### Performance Data.

Data presented in Omron Company websites, catalogs and other materials is provided as a guide for the user in determining suitability and does not constitute a warranty. It may represent the result of Omron's test conditions, and the user must correlate it to actual application requirements. Actual performance is subject to the Omron's Warranty and Limitations of Liability.

### Change in Specifications.

Product specifications and accessories may be changed at any time based on improvements and other reasons. It is our practice to change part numbers when published ratings or features are changed, or when significant construction changes are made. However, some specifications of the Product may be changed without any notice. When in doubt, special part numbers may be assigned to fix or establish key specifications for your application. Please consult with your Omron's representative at any time to confirm actual specifications of purchased Product.

### Errors and Omissions.

Information presented by Omron Companies has been checked and is believed to be accurate; however, no responsibility is assumed for clerical, typographical or proofreading errors or omissions.