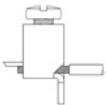




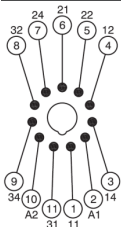
Specifications

Mechanical data	Max. torque on the screws	0.8 Nm
	Wire section solid and stranded	Min. 0.5 mm <sup>2</sup> – AWG 20 Max 2.5 mm <sup>2</sup> – AWG 14
	Weight	65 g
Wire strip	Length	6-7 mm
Electrical data	Terminal protection degree	IP 20
	Rated voltage IEC	300 VAC
	Rated current IEC	12 A
	Rated voltage UL	300 VAC
	Rated current UL	10 A (or 12 A at 150 VAC)
Thermal data	Operating temperatures	-25°C... + 85°C
Conformity	RoHS compliant (Directive 2011/65/EU and Delegated Directive 2015/863)	

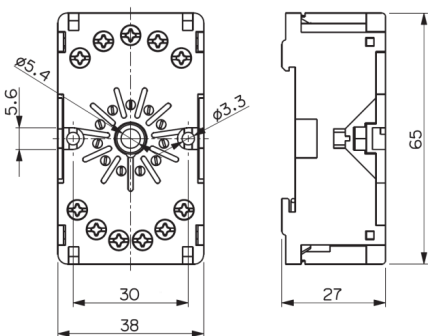
Wire locking systems



Electrical scheme



Dimensions



Approvals



Although we strive perfection, Omron and/or its subsidiary and affiliated companies do not warrant or make any representations regarding the correctness or completeness of the information described in the document. We reserve the right to make any changes at any time without prior notice