




Autonomous Intelligent Vehicles (AIVs), self-mapping, self-navigation.

- Natural-feature navigation: automatically plans routes to prevent collisions
- Fleet management: supervises and coordinates the entire fleet of up to 100 vehicles
- Easy deployment: short installation time, no facilities modifications
- Works collaboratively with people
- Full safety compliance
- Customizable payload designs
- Robust 24x7 productivity
- MobilePlanner software user interface to manage the robot or the fleet



Ordering information

Mobile robots-LD platform

Appearance	Product type	Product name	Maximum load	Maximum speed	Robot configuration & accessories			Order code	
	OEM	LD-60	60 kg	1.8 m/s	Standard model	Robot	Without Battery	37031-00000	
						Robot + Docking Station	Without Battery Docking Station: 12477-000 Battery Power Cable (0.45 m): 12676-000	37031-00002	
						Robot + Starter kit	Without Battery Docking Station: 12477-000 Battery Power Cable (0.45 m): 12676-000L MobilePlanner Software Licence: 13495-200 Joystick: 13558-000 Top Plate: 12944-000	37031-10004	
						ESD model - Electrostatic Discharge	ESD Robot	Without Battery	37031-20000
							ESD Robot + Docking Station	Without Battery Docking Station: 12477-000 Battery Power Cable (0.45 m): 12676-000	37031-20002
							ESD Robot + Starter kit	Without Battery Docking Station: 12477-000 Battery Power Cable (0.45 m): 12676-000L MobilePlanner Software Licence: 13495-200 Joystick: 13558-000 Top Plate: 12944-000	37031-20004
		LD-90	90 kg	1.35 m/s	Standard model	Robot	Without Battery	37041-00000	
						Robot + Docking Station	Without Battery Docking Station: 12477-000 Battery Power Cable (0.45 m): 12676-000	37041-00002	
						Robot + Starter kit	Without Battery Docking Station: 12477-000 Battery Power Cable (0.45 m): 12676-000L MobilePlanner Software Licence: 13495-200 Joystick: 13558-000 Top Plate: 12944-000	37041-10004	
						ESD model - Electrostatic Discharge	ESD Robot	Without Battery	37041-20000
							ESD Robot + Docking Station	Without Battery Docking Station: 12477-000 Battery Power Cable (0.45 m): 12676-000	37041-20002
							ESD Robot + Starter kit	Without Battery Docking Station: 12477-000 Battery Power Cable (0.45 m): 12676-000L MobilePlanner Software Licence: 13495-200 Joystick: 13558-000 Top Plate: 12944-000	37041-20004





Appearance	Product type	Product name	Maximum load	Maximum speed	Robot configuration & accessories		Order code	
	Cart Transporter	LD-105CT	105 kg	1.35 m/s	Standard model	Cart Transporter Robot	Without Battery Touchscreen: 13605-000 Side Laser: 13456-000	37141-00010
						Cart Transporter Robot + Docking Station	Without Battery Touchscreen: 13605-000 Side Laser: 13456-000 Docking Station: 12477-050 Battery Power Cable (0.45 m): 12676-000	37141-00012
						Cart Transporter Robot + Starter kit	Without Battery Touchscreen: 13605-000 Side Laser: 13456-000 Docking Station: 12477-050 Battery Power Cable (0.45 m): 12676-000L MobilePlanner Software Licence: 13495-200 Acuity Localization: 13700-000 Joystick: 13558-000 Cart: 75020-000	37141-01014
		LD-130CT	130 kg	0.9 m/s		Cart Transporter Robot	Without Battery Touchscreen: 13605-000 Side Laser: 13456-000	37161-00010
						Cart Transporter Robot + Docking Station	Without Battery Touchscreen: 13605-000 Side Laser: 13456-000 Docking Station: 12477-050 Battery Power Cable (0.45 m): 12676-000	37161-00012
						Cart Transporter Robot + Starter kit	Without Battery Touchscreen: 13605-000 Side Laser: 13456-000 Docking Station: 12477-050 Battery Power Cable (0.45 m): 12676-000L MobilePlanner Software Licence: 13495-200 Acuity Localization: 13700-000 Joystick: 13558-000 Cart: 75020-000	37161-01014


Software/Controller

Appearance	Product name	Configuration & Attachment	Order code
	MobilePlanner	Installer (USB) ^{*1} License dongle	13495-200
	Enterprise Manager 1100	License dongle	11167-100



*1 The latest version of MobilePlanner can be downloaded from Omron Adept Technologies Inc. website <http://www.adept.com/Robots-Mobile>.

Options

Appearance	Product name	Specification	Configuration & Attachment	Order code
	High Accuracy Positioning System	Single sensor	Sensor × 1, Mounting bracket × 1, Power connector × 1, RS-232 connector × 1, 25 mm wide magnetic tape South top side. 50 m roll	13660-100
		Double sensor	Sensor × 2, Mounting bracket × 2, Power connector × 1, RS-232 connector × 2, 25 mm wide magnetic tape South top side. 50 m roll	13660-000
		Magnetic Tape	25 mm wide magnetic tape South top side. 50 m roll	14925-000
	Acuity Localization	–	Camera, Mounting Kit, cables, Leveling kit	13700-000
	Touchscreen	–	Touchscreen with bracket, Power supply with bracket, Power cable, from core to power supply (33 cm in length), Power cable, from power supply to touchscreen (183 cm in length), Ethernet cable, between touchscreen and core (153 cm in length), Gasket, between touchscreen and AIV mounting surface, Software package, including touchscreen support	13605-000
	Side Laser	Bundle	Laser × 2, Cable × 1 (Y cable for 2 laser)	13456-000
		Kit	Laser × 2, Cable × 1 (Y cable for 2 laser), Mounting kit × 2, Metal Cover × 2	13456-100

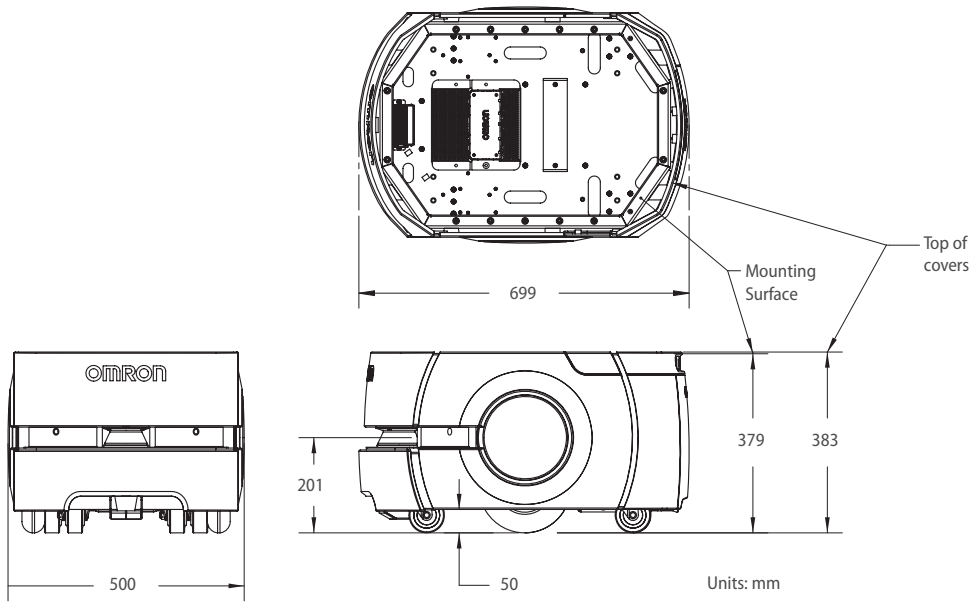
Appearance	Product name	Specification	Configuration & Attachment	Order code
	Call/Door Box	WiFi Wired	Call/Door Box, Cable	13029-802
-	ESD kit	Kit to update the OEM Standard model to ESD model - Electrostatic Discharge	-	18452-101

Accessories

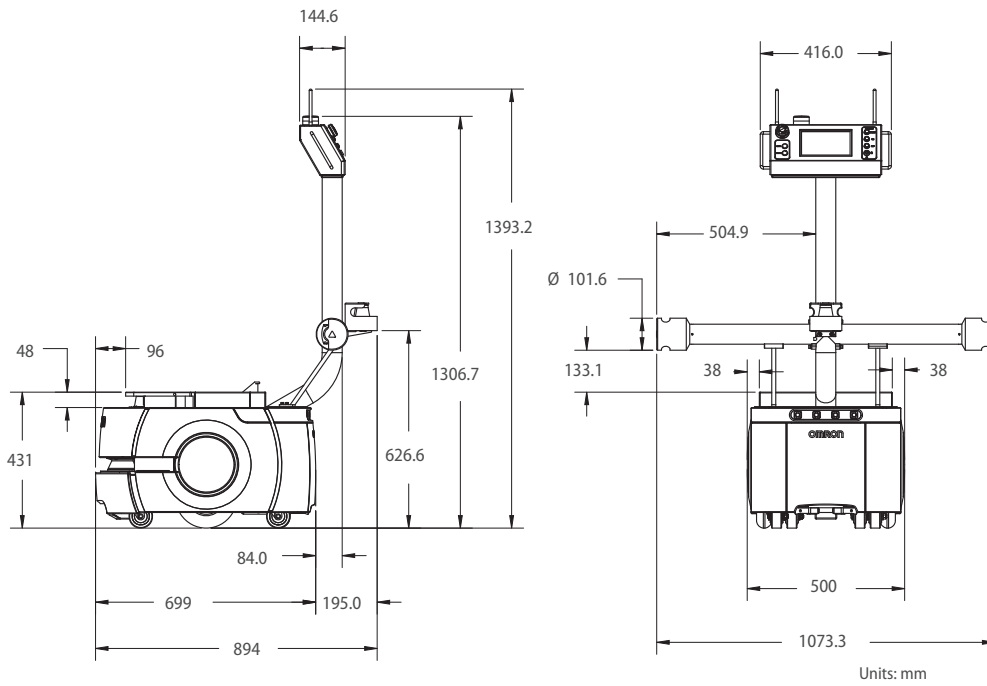
Appearance	Product name	Specification	Configuration & Attachment	Order code
	Battery	-	-	18578-000
	Docking Station	-	Docking station, AC Power cable	12477-000
		Extended Wall Mount	Docking Station, AC Power cable, Extended Wall mount (for Cart Transporter)	12477-050
	Joystick	Cable length: 0.6 to 3 m	-	13558-000
-	Breakout Cable	-	DB44HD Breakout cable (D-SUB44 pin cable for Digital I/O interface)	14165-000
-	Top Plate	Top cover for OEM Model	-	12944-000
	Cart	-	With casters and braking hardware	75020-000
-	Battery Power Cable	Cable length: 0.45 m	-	12676-000L

Dimensions

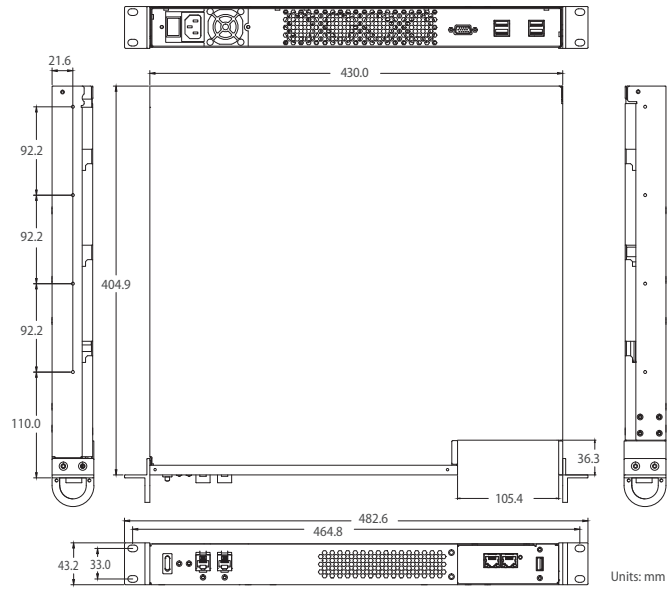
OEM Mobile Platform



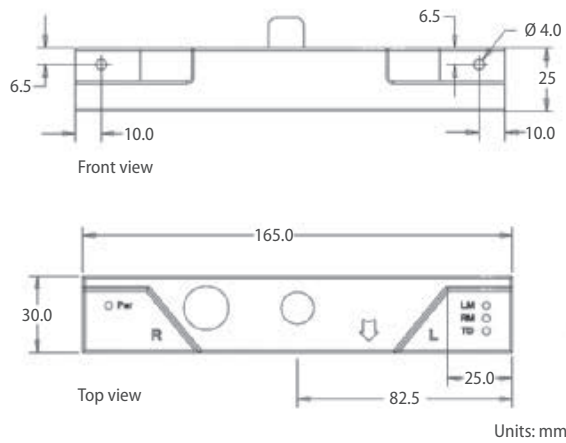
Cart Transporter



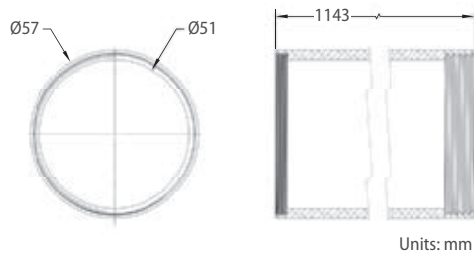
Enterprise Manager 1100



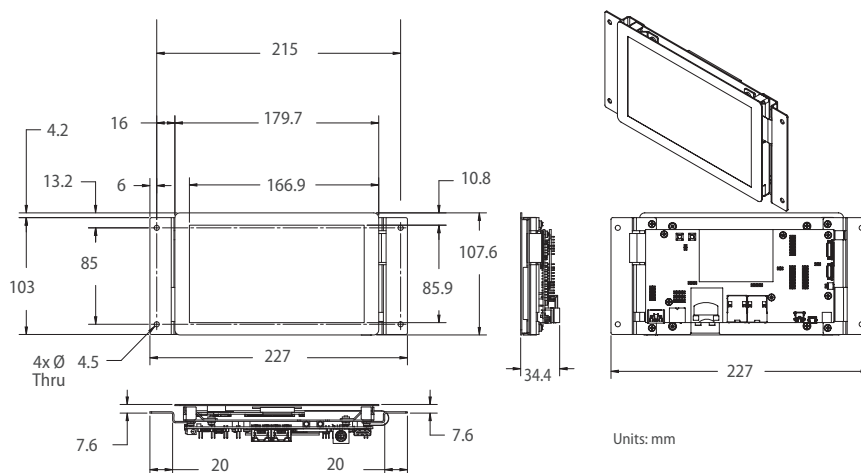
High Accuracy Positioning System



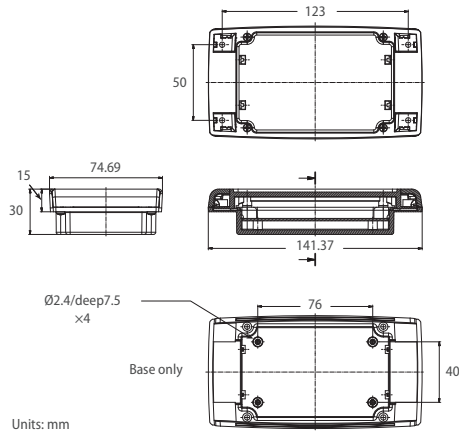
Acuity Localization



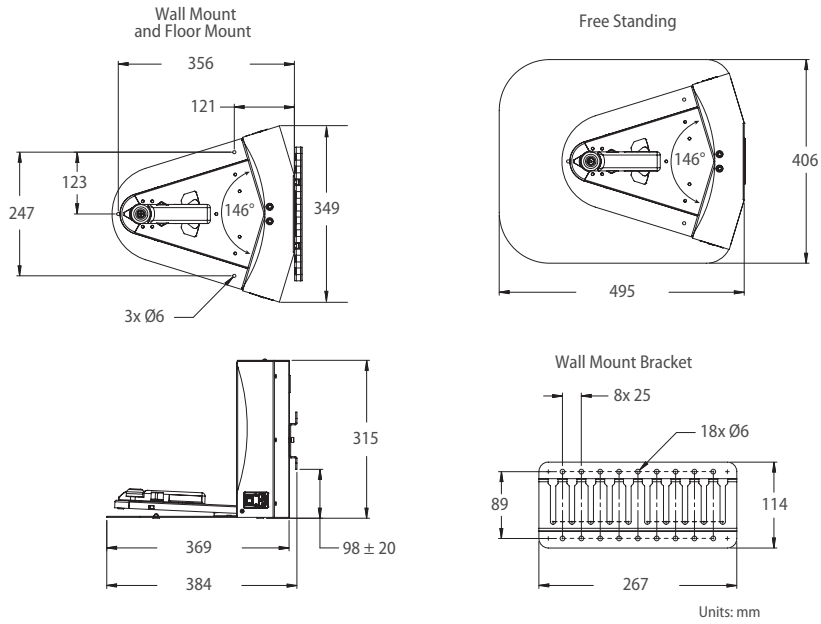
Touchscreen



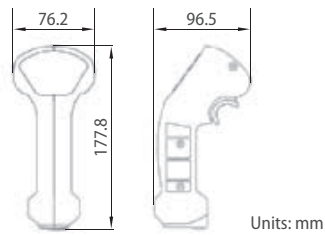
Call/Door Box



Docking Station



Joystick



Cart

