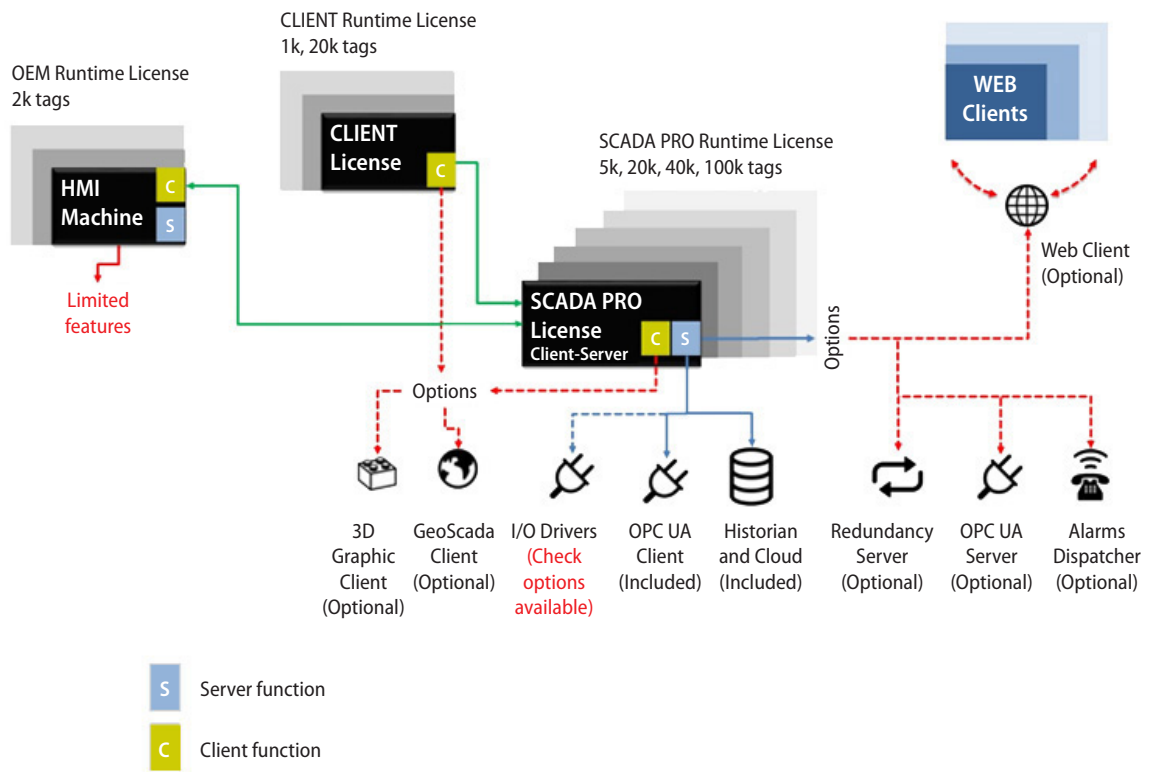


Classic, robust, simple and effective SCADA/HMI technology

- Scalable solution: One unique editor from Windows™ 10 (Win32/64) to Windows™ CE
- Projects are simple XML files that can be opened and edited with any other editor
- Real-time data management
- Drivers, OPC UA and DA connectivity
- Powerful and simple editor
- Reports, Trends and Data Analysis
- Scalable vectorial graphics
- Maximum level of protection
- Web enabled HTML5
- CFR 21 Part 11 ready

System configuration



Ordering information

Software license types

Type			Order code
Movicon Development Editor* ¹	Editor comes complete with first level development wizards to create projects that require run-time licenses. Complete with all the necessary functions, libraries and drivers. <ul style="list-style-type: none"> • Does not include XAML source code for symbol libraries • Functions with a 2-hour Runtime limit • 1 year access mail support from PROGEA 	1 installation	DEV3
		Pack 3 installations	DEV303L
		Pack 10 installations	DEV310L
OEM Runtime License (2,000 tags)	Movicon Omron OEM Machine Edition with I/O Data Server and Client. <ul style="list-style-type: none"> • Includes 1 Basic Automation Driver + 1 Automation Driver (up to 2 simultaneous drivers) • Unlimited number of screens • Unlimited number of alarms 	Runtime ME Client-Server 2,000 tags	RTH3-2k
SCADA PRO Server/Client Runtime License	<ul style="list-style-type: none"> • Local Runtime Client/Server includes all the standard functions + Historian SQL + Reports. • For Servers, the license size is calculated by the number of tags connected to the field. Clients have no tag limit. • I/O Drivers 'Basic' pack is always included. • The SCADA PRO version includes "Automation" driver packs. • Max. no. 2 simultaneous drivers are always included. 	Runtime SCADA 5,000 tags	RTCS3-F-5k
		Runtime SCADA 20,000 tags	RTCS3-F-20k
		Runtime SCADA 40,000 tags	RTCS3-F-40k
		Runtime SCADA 100,000 tags	RTCS3-F-100k
CLIENT Runtime License	<ul style="list-style-type: none"> • "Client Only" License for remote PC workstations. Project can be local or centralized. • Number of tags related to the data managed on Client and in use towards the server (any data type). • The Client license provides a number of connectable tags towards any Movicon network server and third party OPC UA Server. • The Client always counts any type of tag connect to any server that are in use on Client (independently from that fact that whether or not data type is connected to the field). • Client projects can be local (distributed) or centralized on server. 	Runtime Client 1,000 tags	RTC3-1k
		Runtime Client 20,000 tags	RTC3-20k

*¹ Movicon Development Editor is the same for OEM and Pro Runtime Licenses.

OEM Runtime License options

Type	Order code
Historian + Data Logger + Reports* ¹	OPS3-H
Web Client 1 User Access	WB3

*¹ Movicon Historian + Data Logger+ Reports option is a specific OEM package normally required for FDA/GAMP validation.

Note: Other Runtime options may be applicable, please contact your Omron representative.

SCADA PRO Runtime options

Type			Order code
Multi Driver Server	Server option to enable use of the MultiDriver function to extend the use of 2 drivers up to 32 drivers simultaneously.	Up to 20,000 tags	OPS3-MD-20k
		Up to 100,000 tags	OPS3-MD-100k
Redundancy Server	Server option for enabling the Redundancy (Hot Backup) function. This option must be enabled on each server using it.	Up to 20,000 tags	OPS3-R-20k
		Up to 100,000 tags	OPS3-R-100k
OPC UA Server	Server option to enable the OPC UA Server feature. The server is OPC Foundation certified and supports the Data Access, Alarms & Conditions, History Access specifications.	Up to 20,000 tags	OPS3-OUS-20k
		Up to 100,000 tags	OPS3-OUS-100k
Alarm Dispatcher	Server option to enable alarm/event notifications to on call duty staff (SMS, Email and VOIP).	Up to 20,000 tags	OPS3-ALD-20k
		Up to 100,000 tags	OPS3-ALD-100k
GeoScada Client	Client option to enable dynamic Geographic Map screen management. This feature is not available on Web Client side where map is transformed to a background image.	Up to 20,000 tags	OPS3-GS-20k
		Up to 100,000 tags	OPS3-GS-100k
3D Graphic Client	Client option to enable support to dynamic 3D graphics in screens. This feature is not available on Web Client.	Up to 20,000 tags	OPS3-3D-20k
		Up to 100,000 tags	OPS3-3D-100k
Alarm Statistics Analysis Client	Client option to enable the visualization of statistical Alarm Reports. This option must also be enabled on Server license when using it via Web Clients.	Up to 20,000 tags	OPS3-ALS-20k
		Up to 100,000 tags	OPS3-ALS-100k
Web Client* ¹ * ² * ³	Option for Server to enable remote access to a number of Web Client users (concurrent sessions) using any web Browser (HTML5) or using the related APPs for Android, iOS, Windows.	Up to 10,000 tags	WB3-1k
		Up to 20,000 tags	WB3-20k
		Up to 100,000 tags	WB3-100k

*¹ The Web Client option enables the number of "concurrent users" that can access simultaneously to the Movicon Server.

*² Web Clients connect to the Web Server that is usually a local Movicon I/O application. However the Web Server may also be installed on different workstations and connect to third party OPC UA as well.

*³ Web Clients use the licence that is available on the Web Server side. Always check that this license has a sufficient number of tags for clients and other enabled options (i.e. Reports, Alarm Statistics and other).

Specifications

License types

Type	Description
Development	Editor License to develop any type of application.
SCADA PRO and BA	Client/Server License for SCADA/Machine Edition solutions.
OEM	Client/Server License for HMI systems reserved for machine builders.
Server	License for I/O Data Server applications and connectivity, without HMI.
Client	License for HMI visualization applications, connectable to any Movicon Server or any other OPC UA Server. A local licence with the appropriate number of tags is required.
Web Client	Remote access to Movicon Server using any browser or APP. Remote users do not need a local license but the appropriate option on the Server License needs to be enabled according to the number of users concurrently connecting. The server also enables the client tag size. The Web Server application can also be deployed on different PCs in respect to the I/O Data Server, and connect to different OPC UA Servers.

License sized by tag (variable count)

TAG means any variable "connected to the field" in bit, byte, word, float and double/long 64bit, even when defined as an array or structure member. Single bits of the byte, word and other variable types can be pointed to.

Note: Each member in Structure and Array variable types count as one tag.

Note: Internal tags are not counted (those not connected to the field).

Tag count

Tags are counted according to the instance type, being either server or client, as follows:

Instance type	Description
Server	Number of "tags" declared into the project, exchanged with the field.
Remote Clients and Web	Number of tags used in active screens and connected to servers (independently of whether a Movicon or third party OPC UA Server).

Options available

Each license comes with optional features according to license type as indicated in the Ordering information.

Runtime License features

	SCADA PRO License	OEM License	CLIENT License
I/O tags	Up to 100,000	2,000	Up to 100,000
Server	■	■	-
Client	■	■	■
HMI Screens WPF/XAML	■	■	■
XAML Symbols Libraries and Toolbox	■	■	■
Power Templates	■	■	■
Alarms Management	■	■	■
Alarms Viewers	■	■	■
Historical Log/Event Manager	■	■	-
Historical Log/Event Viewers	■	■	■
Shortcut commands	■	■	■
Menu commands	■	■	■
Networking	■	■	■
TouchScreen – Multi-touch	■	■	■
String texts - Multi-language	■	■	■
Scripts VB.NET Multithreading	■	■	■
.NET Assembly support	■	■	■
IP Camera	■	■	■
Kinect Gestures + Speech Recognition	■	■	■
Scheduler Server	■	■	-
Recipes Module	■	■	■
Child Projects	■	-	■
User & Password Management	■	■	■
Historian & Data Logging	■	<input type="checkbox"/> Optional	-
Reports Manager + Data Analysis	■	-	■
Redundancy	<input type="checkbox"/> Optional	-	■
3D Graphic animations	<input type="checkbox"/> Optional	<input type="checkbox"/> Optional	<input type="checkbox"/> Optional
Geo Scada (Dynamic Maps Manager)	<input type="checkbox"/> Optional	<input type="checkbox"/> Optional	<input type="checkbox"/> Optional
I/O Drivers run simultaneously	2	2	-
I/O Drivers Extended (Max 32)	<input type="checkbox"/> Optional	-	-
I/O Drivers "Basic" (OPC UA Client, Modbus)	■	■	■
I/O Drivers "Automation Pack"	■	■	-
I/O Drivers "Telemetry Pack"	<input type="checkbox"/> Optional	<input type="checkbox"/> Optional	-
I/O Drivers "Facilities Pack"	<input type="checkbox"/> Optional	<input type="checkbox"/> Optional	-
I/O Drivers "IIoT Pack"	<input type="checkbox"/> Optional	<input type="checkbox"/> Optional	-
OPC UA Server	<input type="checkbox"/> Optional	-	-
Alarms Statisticals (Downtime Analyzer)	<input type="checkbox"/> Optional	-	<input type="checkbox"/> Optional
Alarms Dispatcher (SMS/ Voice/ E-mails)	<input type="checkbox"/> Optional	-	-
Web Client HTML5/APPs (1 to 100)	Users 1 to 100	<input type="checkbox"/> Optional (1 Client only)	-