

OMRON

# Industrial Cameras

STC/FS Series



# Make It Faster, Make It Simpler

OMRON has been developing high speed & high performance image processing systems in order to meet the needs of the automation world pursues. And now, image processing began to spread all over the world and the evolution speed of people want is getting higher. For our customers' satisfaction, we start to deliver OMRON SENTECH (former SENTECH)'s cameras. OMRON SENTECH is a manufacturer specializing in industrial cameras that became a new member of the OMRON group. Those cameras make the conventional systems simpler, faster and more flexible. Also they make it easy to assist the visual inspection to capture enlarged images without pc.

**OMRON** **SENTECH**



## Notes for Purchase

- Please contact the trading company for delivery date.
- All cameras in this catalog can not be connected to the image processing system such as FH / FZ / FJ series.

## Dimensions

- This catalog contains the dimensions of a typical model. Please confirm the CAD data for the dimensions of models not mentioned.

# How to Choose a camera

## Camera Line-up Chart



Per-interface comparison table  
Camera Line-up Chart

Pages 3 - 4

How to Choose a camera

### GigE Vision



CMOS M Series

Pages 5 - 6

CMOS S Series

Pages 7 - 8

Line Scan Camera

Pages 9 - 10

GigE

### USB3.0



USB3.0

Pages 11 - 14

USB3.0 Remote Head

Pages 15 - 16

USB3.0

### CoaXPress



CoaXPress

Pages 17 - 18

CoaXPress

### Opt-C:Link



Opt-C:Link

Pages 19 - 20

Opt-C:Link

### Camera Link



CMOS

Pages 21 - 24

Remote Head

Pages 25 - 26

Line Scan Camera

Pages 27 - 28

Camera Link

### HDMI/DVI/SDI



4K HDMI

Pages 29 - 30

DVI

Pages 31 - 32

HD-SDI

Pages 33 - 34

HDMI/DVI/SDI

### Analog Progressive



Analog Progressive

Pages 35 - 36

Analog Progressive

### Color TV Format



S133N-B Series

Pages 37 - 38

Color TV Format

### Small Board Camera



S133N(P)/S133UVC/S133MIP Series

Pages 39 - 46

Small Board Camera

### Accessories



Cable, Others

Pages 47 - 49

Fixed Focus Lens

Page 50

4ch USB Board

Page 51

Spectral Sensitivity Characteristics

Pages 52 - 61

Accessories

# How to Choose a Camera

## Camera Line-up Chart



### How to Choose an Image Sensor

- Monochrome
  - Mono or Color?
- Number of Pixels
  - Optimal Resolution for Your Application
- Scan Speed
  - Required FPS
- Sensor Size?

### How to Choose the Interface

- Connect to
  - Monitor or PC?
- Cable Length
  - Distance Between the Camera and the Equipment
- The Number of Cameras
  - How many cameras for one PC?

Based on factors such as decided specifications, system outline and cost image, refer to the following per-interface comparison table and product lineup chart to choose the optimum Sentech camera.

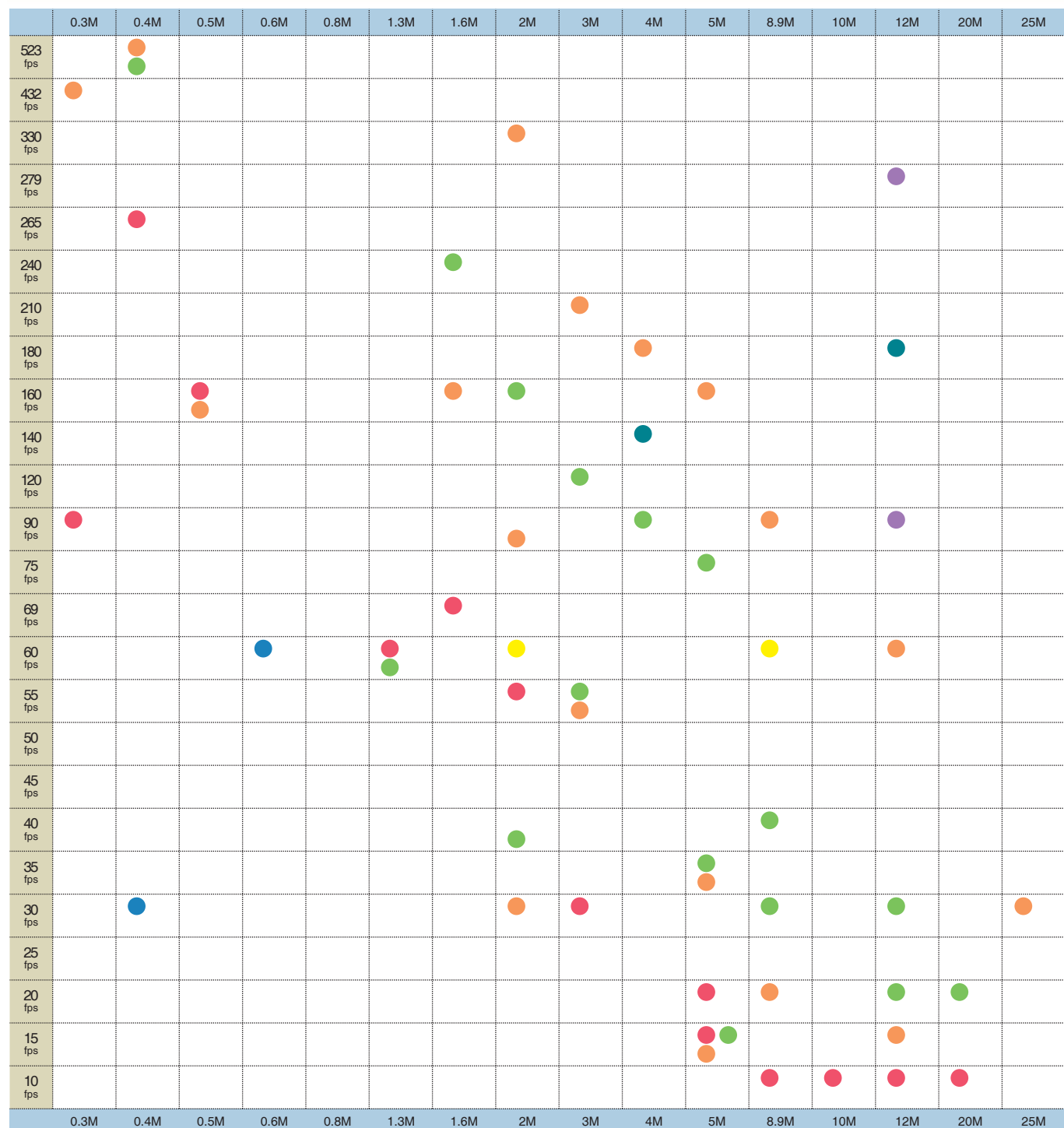
■ Interface when using a PC / 
 ■ Interface when not using a PC / 
 ■ Interface not offered by OMRON

Interfaces	GigE Vision®		USB		CoaXpress	Opt-C:Link	Camera Link		Analog	HD-DVI	HD-SDI	TV Formats	IEEE1394b	Camera Link HS
	USB2.0	USB3.0	Base	Full										
Monitor Display	PC Required								Can be connected directly to monitor					
Connection Port	Gigabit Ethernet Port	USB2.0 Port	USB3.0 Port	CoaXpress Grabber Board	Opt-C:Link Grabber Board	Camera Link Frame Grabber Board		Analog Frame Grabber Board	HDMI Port DVI Port	SDI connector	RCA connector BNC connector	Required	Camera Link HS Grabber Board	
Cable	Ethernet cable Cat 5e or higher	USB2.0 Cable	USB3.0 Cable	Coaxial Cable	Optical cable	Camera Link Cable		12-pin Cable	HDMI/DVI Cable	Coaxial Cable for SDI	Coaxial Cable	IEEE1394b Cable	Camera Link HS Cable	
Max. Cable Length	100 m	5 m	3 m	25 m	150 m	Approx. 5 m to 12 m		100 m	5 m	100 m	100 m	100 m	15 m	
Image Transmission Capacity	☆☆	☆	☆☆☆	☆☆☆☆☆	☆☆☆☆☆	☆☆	☆☆☆☆	☆☆	☆☆	☆☆	☆	☆☆	☆☆	
Max. Transmission Speed	122 fps 30 Megapixel - 15 fps 500 Megapixel (1,000Mbps)	90 fps 30 Megapixel - 15 fps 200 Megapixel (480Mbps)	123 fps 30 Megapixel - 14 fps 500 Megapixel (5,000Mbps)	25 Gbps	12.5 Gbps/ 40 Gbps	240 fps 30 Megapixel - 16 fps 500 Megapixel (2,380Mbps)	600 fps 30 Megapixel - 60 fps 1200 Megapixel (7,140Mbps)	90 fps 30 Megapixel - 15 fps 200 Megapixel	60 fps 1080 p	60 fps 1080 p	59.94 fps 30 Megapixel (interlaced)	800 Mbps	2,100 Mbps	
Power over Cable	○(PoE Model)	○(All Models)		○	Separate Power Supply	○(PoCL Model)		Separate Power Supply	Separate Power Supply	Separate Power Supply	Separate Power Supply	○	○	
Software Provider	Camera Manufacturer	Camera Manufacturer		Board Manufacturer	Board Manufacturer	Board Manufacturer		Board Manufacturer	Not required			Camera Manufacturer	Board Manufacturer	
System Cost	Low	Low		High	High	High		High	Low	Mid	Low	Low	High	
Multiple Device Connection	Add Ethernet card or use switching hub	Add USB port expansion card (hub not recommended)		Add frame grabber board	Add frame grabber board	Add frame grabber board		Add frame grabber board	Use switcher			IEEE1394b expansion card, use hub	Add frame grabber board	
Advantages	- Long cable length - Cheap cost to connect multiple cameras - Frame grabber not required	- Easy to connect - Low cost - Cheap cost to connect multiple cameras		- Long cable length - High transmission capacity	- Long cable length - Strong to noise	- Proven track record - High transmission capacity		- Proven track record - Long cable length	- Can easily be connected directly to monitor	- Long cable length	- Proven track record - Low cost - Long cable length	- Proven track record	- High transmission capacity - Smaller connector compared with Camera Link	
Disadvantages	- Lower fps comparing with other interfaces	- Short cable length		- No extensive track record - High board cost	- No extensive track record - Few compatible board	- Short cable length - High board and cable cost - High cost to connect multiple cameras		- High board and cable cost	- Short cable length - No trigger function	- Few SDI-compatible monitors	- Low resolution	- Short cable length - IEEE1394b card required	- High board and cable cost	
Main Applications	- Image processing - Monitoring	- Image processing - Monitoring		- Image processing - Monitoring	- Image processing - Monitoring	- Image processing		- Image processing	- Monitoring		- Image processing - Monitoring	- Image processing	- Image processing	

\* System costs, advantages and disadvantages are subjective opinions by OMRON

# Camera Line-up Chart

The horizontal indicates pixels and the vertical indicates frame rates



- GigE Vision
- USB3.0
- Camera Link
- CoaXPRESS
- OPT-C:Link
- HDMI/DVI/SDI
- Analog Progressive
- TV Format

# GigE Vision Small CMOS Camera M Series

GigE



## Description

PoE-compatible GigE Vision camera with high-resolution, high-speed CMOS sensor

## Features

More compact body

Case comes in two sizes: 29 × 29 mm and 30 × 40 mm

## Product Line-up

### Global shutter models

Model	Monochrome/Color	Resolution	Frame Rate	Effective Pixels (H × V)	Sensor Size	Cell Size (μm)	Sensor	Lens Mount
STC-MBS43POE	Monochrome	0.4M	282.8 fps	720 × 540	1/2.9	6.9 × 6.9	IMX287	C
STC-MCS43POE	Color							
STC-MBS52POE	Monochrome	0.5M	166.5 fps	816 × 624	1/1.7	9 × 9	IMX433	C
STC-MCS52POE	Color							
STC-MBE132POE	Monochrome	1.3M	61 fps	1280 × 1024	1/1.8	5.3 × 5.3	EV76C560	C
STC-MCE132POE	Color							
STC-MBS163POE	Monochrome	1.6M	70.7 fps	1440 × 1088	1/2.9	3.45 × 3.45	IMX273	C
STC-MCS163POE	Color							
STC-MBS202POE	Monochrome	2M	54.6 fps	1624 × 1240	1/1.7	4.5 × 4.5	IMX430	C
STC-MCS202POE	Color							
STC-MBS231POE	Monochrome	2.3M	41.6 fps	1920 × 1200	1/1.2	5.86 × 5.86	IMX249	C
STC-MCS231POE	Color							
STC-MBS312POE	Monochrome	3.2M	34.9 fps	2048 × 2048	2/3	3.45 × 3.45	IMX265	C
STC-MCS312POE	Color							
STC-MBS500POE	Monochrome	5M	21.9 fps	2448 × 2048	2/3	3.45 × 3.45	IMX264	C
STC-MCS500POE	Color							
STC-MBS881POE	Monochrome	8.9M	12.4 fps	4096 × 2160	1	3.45 × 3.45	IMX267	C
STC-MCS881POE	Color							
STC-MBS122BPOE	Monochrome	12.3M	8.9 fps	4096 × 3000	1.1	3.45 × 3.45	IMX255	C
STC-MCS122BPOE	Color							

### Rolling shutter models

Model	Monochrome/Color	Resolution	Frame Rate	Effective Pixels (H × V)	Sensor Size	Cell Size (μm)	Sensor	Lens Mount
STC-MBA503POE	Monochrome	5M	14 fps	2592 × 1944	1/2.5	2.2 × 2.2	MT9P031	C
STC-MCA503POE	Color							
STC-MBS642POE	Monochrome	6.4M	17.4 fps	3072 × 2048	1/1.8	2.4 × 2.4	IMX178	C
STC-MCS642POE	Color							
STC-MBA1002POE	Monochrome	10M	10.3 fps	3856 × 2764	1/2.3	1.67 × 1.67	MT9J003	C
STC-MBS1242POE	Monochrome							
STC-MCS1242POE	Color	12M	9.2 fps	4000 × 3000	1/1.7	1.85 × 1.85	IMX226	C
STC-MBS2041POE	Monochrome							
STC-MCS2041POE	Color	20.4M	5.5 fps	5472 × 3648	1	2.4 × 2.4	IMX183	C
STC-MCS2041POE	Color							

## Accessories

### Screw-Fastened GigE Cables

Model	Length
FJ-VSG 3M	3 m
FJ-VSG 5M	5 m
FJ-VSG 10M	10 m
FJ-VSG 20M	20 m
FJ-VSG 40M	40 m

### Power Supply and I/O Cables

Model	Length
FJ-VSP2 3M	3 m
FJ-VSP2 5M	5 m
FJ-VSP2 10M	10 m

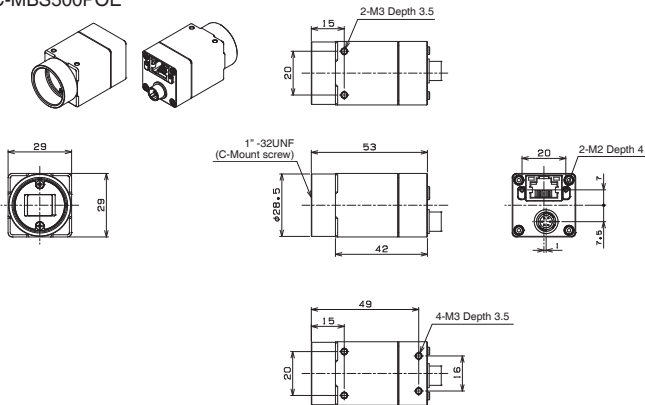
Note. Please connect the cables according to the external connector specifications prescribed in your camera's specification documents, for faulty wiring can cause failure.

Conversion Cables		
Model	Applicable Model	General Specifications
CAB-KWA-IEA		Converts 6-pin connector to S Series pin assignment

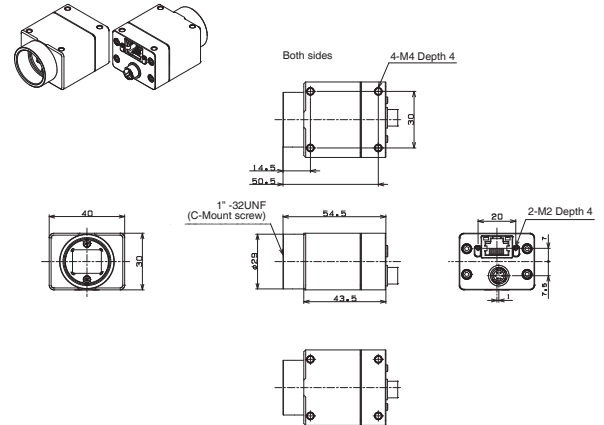
Tripod		
Model	Applicable Model	General Specifications
TP-KWA	GigE Vision M Series	
TP-KWA-IEA	GigE Vision M Series	Used to set M Series with sensor center at same height as that of S Series
TP-KWA2	STC-MBS/MCS881POE, STC-MBS/MCS122BPOE	

**Drawing dimension**

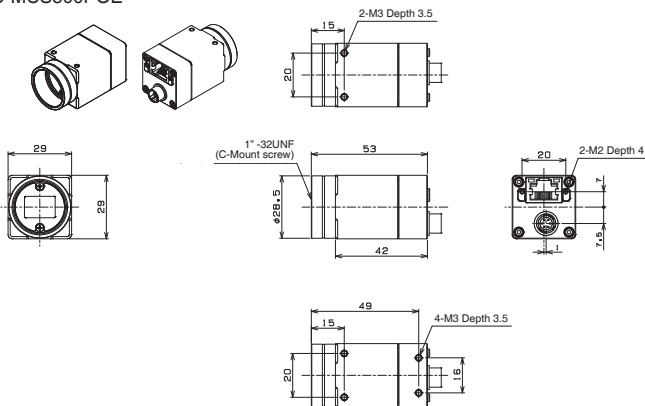
Monochrome  
 STC-MBS43POE  
 STC-MBS163POE  
 STC-MBS312POE  
 STC-MBS500POE



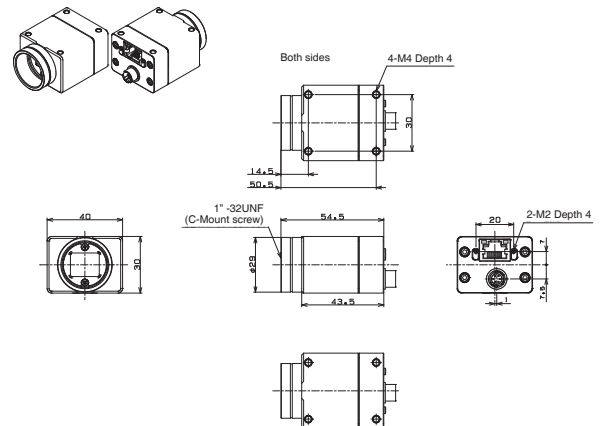
STC-MBS881POE  
 STC-MBS122BPOE



Color  
 STC-MCS43POE  
 STC-MCS163POE  
 STC-MCS312POE  
 STC-MCS500POE



STC-MCS881POE  
 STC-MCS122BPOE



# GigE Vision CMOS Camera S Series

GigE



## Description

PoE-compatible GigE Vision camera with high-resolution, high-speed CMOS sensor

## Features

Sony CMOS [Pregius] adopted cameras are also available  
Supports both PoE (Power over Ethernet) and external power source (auto-switch)

Compact, durable case designed for easy mounting

## Product Line-up

Model	Monochrome/Color	Resolution	Frame Rate	Effective Pixels (H x V)	Sensor Size	Cell Size (μm)	Sensor	Lens Mount	General Specifications
STC-SBS43POE	Monochrome	0.4M	265 fps	728 × 544	1/2.9	6.9 × 6.9	IMX287	C	
STC-SCS43POE	Color								
STC-SBE132POE	Monochrome	1.3M	61 fps	1280 × 1024	1/1.8	5.3 × 5.3	EV76C560	C	
STC-SCE132POE	Color								
STC-SBS163POE	Monochrome	1.6M	69 fps	1456 × 1088	1/2.9	3.45 × 3.45	IMX273	C	
STC-SCS163POE	Color								
STC-CMB2MPOE	Monochrome	2M	50 fps	2024 × 1088	2/3	5.5 × 5.5	CMV2000	C	
STC-CMC2MPOE	Color								
STC-CMB2MPOE-IR	NIR								
STC-SBS231POE	Monochrome	2.3M	41.6 fps	1920 × 1200	1/1.2	5.86 × 5.86	IMX249	C	
STC-SCS231POE	Color								
STC-SBS312POE	Monochrome	3.2M	33.4 fps	2048 × 1536	1/1.8	3.45 × 3.45	IMX265	C	
STC-SCS312POE	Color								
STC-CMB4MPOE	Monochrome	4M	25 fps	2048 × 2048	1	5.5 × 5.5	CMV4000	C	
STC-CMC4MPOE	Color								
STC-CMB4MPOE-IR	NIR								
STC-SBS500POE	Monochrome	5M	21 fps	2448 × 2048	2/3	3.45 × 3.45	IMX264	C	
STC-SCS500POE	Color								
STC-SBA503POE	Monochrome	5M	14 fps	2592 × 1944	1/2.5	2.2 × 2.2	MT9P031	C	Rolling shutter
STC-SCA503POE	Color								
STC-SCS853POE	Color	8M	12.7 fps	3840 × 2160	1/2.5	1.62 × 1.62	IMX274	C	Rolling shutter
STC-SBS1242POE	Monochrome	12M	8.7 fps	4000 × 3000	1/1.7	1.85 × 1.85	IMX226	C	Rolling shutter
STC-SCS1242POE	Color								

Note. You are recommended to use the GigE Vision M Series because the S Series will be discontinued.

## Accessories

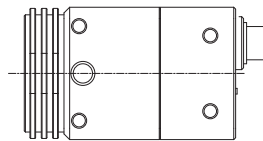
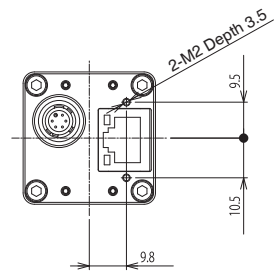
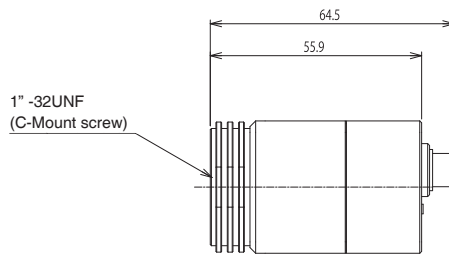
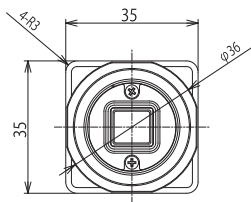
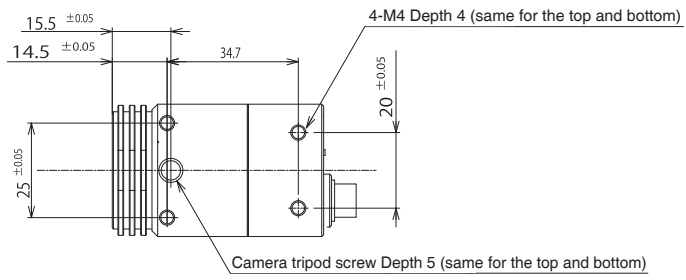
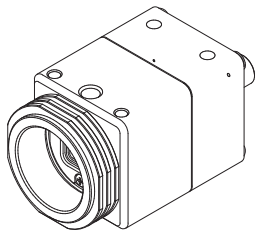
Screw-Fastened GigE Cables	
Model	Length
FJ-VSG 3M	3 m
FJ-VSG 5M	5 m
FJ-VSG 10M	10 m
FJ-VSG 20M	20 m
FJ-VSG 40M	40 m

Power Supply and I/O Cables	
Model	Length
FJ-VSP2 3M	3 m
FJ-VSP2 5M	5 m
FJ-VSP2 10M	10 m

Note. Please connect the cables according to the external connector specifications prescribed in your camera's specification documents, for faulty wiring can cause failure.



**Drawing dimension**



Note. Drawings are differed by model. Please confirm the CAD data of each model.

# GigE Vision CMOS Line Scan Camera

GigE



## Description

PoE-compatible GigE Vision line sensor camera

## Features

Compact case designed for easy mounting  
Offered in 2K, 4K, or 8K

## Product Line-up

Model	Monochrome/Color	Resolution	Line Rate	Pixel size	Sensor	Sensor Type	Lens Mount
FS-B2KU7GES-C	Monochrome	2048 × 1	51 kHz	7 μm	DR-2K-7	Single	C
FS-B2KU7GES-F							F
FS-B2KU7GES-M42							M42
FS-B4KU7GES-F		4096 × 1	26 kHz	7 μm	DR-4K-7	Single	F
FS-B4KU7GES-M42							M42
FS-B4KU35GES-C		4096 × 1	26 kHz	3.5 μm	DR-4K-3.5	Single	C
FS-B4KU35GES-F							F
FS-B4KU35GES-M42							M42
FS-B8KU35GES-F		8192 × 1	13 kHz	3.5 μm	DR-8K-3.5	Single	F
FS-B8KU35GES-M42							M42

## Accessories

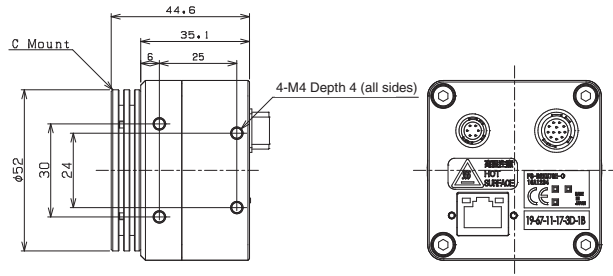
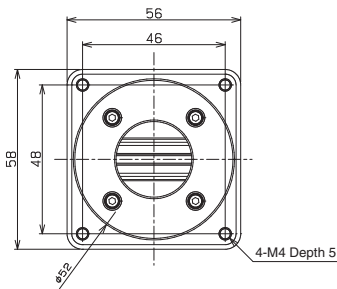
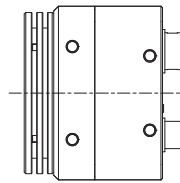
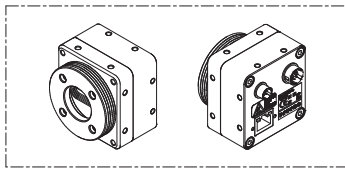
Screw-Fastened GigE Cables	
Model	Length
FJ-VSG 3M	3 m
FJ-VSG 5M	5 m
FJ-VSG 10M	10 m
FJ-VSG 20M	20 m
FJ-VSG 40M	40 m

Power Supply and I/O Cables	
Model	Length
FJ-VSP2 3M	3 m
FJ-VSP2 5M	5 m
FJ-VSP2 10M	10 m

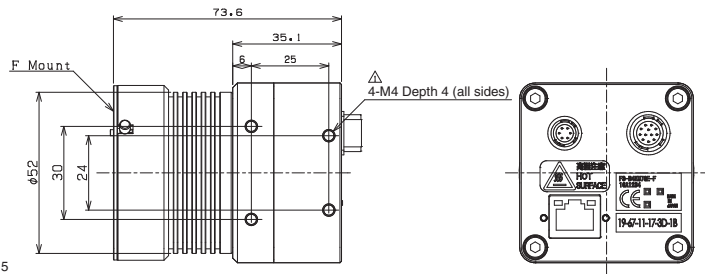
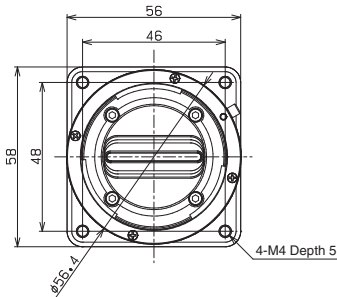
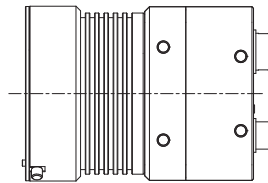
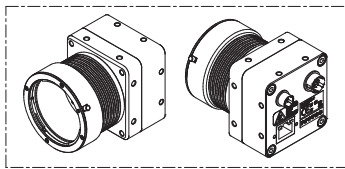
Note. Please connect the cables according to the external connector specifications prescribed in your camera's specification documents, for faulty wiring can cause failure.

# Drawing dimension

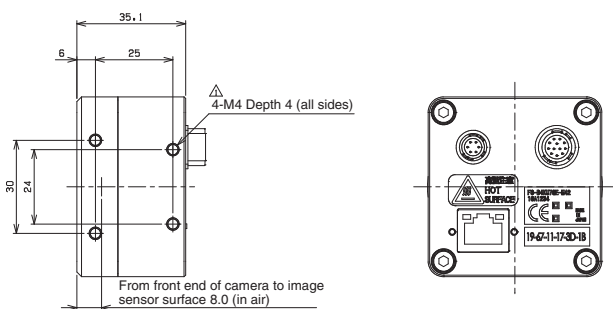
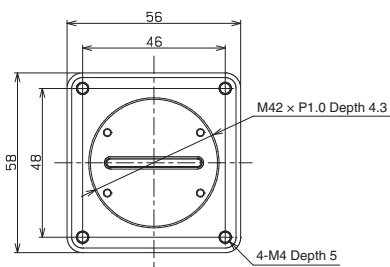
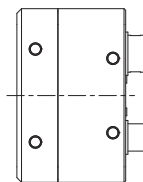
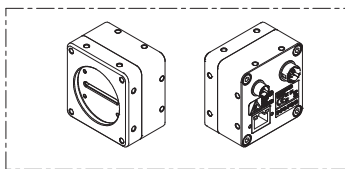
## C Mount



## F Mount



## M42 Mount



# USB3.0 Camera

USB3.0



## Description

USB3.0 Compact CMOS Camera

## Features

Offered in resolutions ranging from 0.4M to 20.4M  
Compact, durable case designed for easy mounting

## Product Line-up

Global shutter models								
Model	Monochrome/Color	Resolution	Frame Rate	Effective Pixels (H x V)	Sensor Size	Cell Size (µm)	Sensor	Lens Mount
STC-MBS43U3V	Monochrome	0.4M	527.1 fps	720 x 540	1/2.9	6.9 x 6.9	IMX287	C
STC-MCS43U3V	Color							
STC-MBE132U3V	Monochrome	1.3M	60 fps	1280 x 1024	1/1.8	5.3 x 5.3	EV76C560	CS
STC-MCE132U3V	Color							
STC-MBS163U3V	Monochrome	1.6M	238 fps	1440 x 1080	1/2.9	3.45 x 3.45	IMX273	C
STC-MCS163U3V	Color							
STC-MBCM200U3V	Monochrome	2M	167 fps	2048 x 1088	2/3	5.5 x 5.5	CMV2000	C
STC-MBCM200U3V-NIR	Monochrome NIR							
STC-MBS231U3V	Monochrome	2.3M	41.6 fps	1920 x 1200	1/1.2	5.86 x 5.86	IMX249	C
STC-MCS231U3V	Color							
STC-MBS241U3V	Monochrome	2.3M	163 fps	1920 x 1200	1/1.2	5.86 x 5.86	IMX174	C
STC-MCS241U3V	Color							
STC-MBS312U3V	Monochrome	3.2M	56 fps	2048 x 1536	1/1.8	3.45 x 3.45	IMX265	C
STC-MCS312U3V	Color							
STC-MBS312U3V-SE	Monochrome							
STC-MCS312U3V-SE	Color							
STC-MBS322U3V	Monochrome	3.2M	121 fps	2048 x 1536	1/1.8	3.45 x 3.45	IMX252	C
STC-MCS322U3V	Color							
STC-MBS322U3V-SE	Monochrome							
STC-MCS322U3V-SE	Color							
STC-MBCM401U3V	Monochrome	4M	89 fps	2048 x 2048	1	5.5 x 5.5	CMV4000	C
STC-MCCM401U3V	Color							
STC-MBCM401U3V-NIR	Monochrome NIR							
STC-MBS500U3V	Monochrome	5M	35.8 fps	2448 x 2048	2/3	3.45 x 3.45	IMX264	C
STC-MCS500U3V	Color							
STC-MBS500U3V-SE	Monochrome							
STC-MCS500U3V-SE	Color							
STC-MBS510U3V	Monochrome	5M	75.7 fps	2448 x 2048	2/3	3.45 x 3.45	IMX250	C
STC-MCS510U3V	Color							
STC-MBS510U3V-SE	Monochrome							
STC-MCS510U3V-SE	Color							
STC-MBS70BU3V	Monochrome	7.1M	51.2 fps	3216 x 2208	1.1	4.5 x 4.5	IMX428	C
STC-MCS70BU3V	Color							
STC-MBS881U3V	Monochrome	8.9M	32.5 fps	4096 x 2160	1	3.45 x 3.45	IMX267	C
STC-MCS881U3V	Color							

Go to the next page

Model	Monochrome/Color	Resolution	Frame Rate	Effective Pixels (H × V)	Sensor Size	Cell Size (μm)	Sensor	Lens Mount
STC-MBS891U3V	Monochrome	8.9M	41.9 fps	4096 × 2160	1	3.45 × 3.45	IMX255	C
STC-MCS891U3V	Color							
STC-MBS122BU3V	Monochrome	12.3M	23.5 fps	4096 × 3000	1.1	3.45 × 3.45	IMX304	C
STC-MCS122BU3V	Color							
STC-MBS123BU3V	Monochrome	12.3M	30.4 fps	4096 × 3000	1.1	3.45 × 3.45	IMX253	C
STC-MCS123BU3V	Color							

Note. We recommend that you use an external power supply for 8.9M and 12M cameras, for depending on PC performance, power supplied via USB bus connection alone may not be sufficient for these cameras. Note. Models with "-SE" have been additionally equipped with the Short Exposure Mode feature.

Rolling shutter models								
Model	Monochrome/Color	Resolution	Frame Rate	Effective Pixels (H × V)	Sensor Size	Cell Size (μm)	Sensor	Lens Mount
STC-MBS1242U3V	Monochrome	12M	31.2 fps	4000 × 3000	1/1.7	1.85 × 1.85	IMX226	C
STC-MCS1242U3V	Color							
STC-MBS2041U3V	Monochrome	20.4M	18.5 fps	5472 × 3648	1	2.4 × 2.4	IMX183	C
STC-MCS2041U3V	Color							

Non-USB3 Vision Compliant Models (with Rolling Shutters)								
Model	Monochrome/Color	Resolution	Frame Rate	Effective Pixels (H × V)	Sensor Size	Cell Size (μm)	Sensor	Lens Mount
STC-MBA5MUSB3	Monochrome	5M	14 fps	2592 × 1944	1/2.5	2.2 × 2.2	MT9P031	CS
STC-MCA5MUSB3	Color							

### Accessories

USB 3.0 Cables (USB 3.0 Micro-B, with Camera-Side Fastening Screws)		
Model	Length	Cable Type
CAB-USB3-02	2 m	Normal
CAB-USB3-03	3.5 m	
CAB-USB3-05	5 m	
CAB-USB3-07	7 m	
CAB-USB3-10	10 m	Normal high-transmission cables
CAB-USB3-02-RB	2 m	Robot cables
CAB-USB3-03-RB	3.5 m	
CAB-USB3-05-RB	5 m	
CAB-USB3-07-RB	7 m	

Note. Please make sure in advance that USB 3.0 cables operate correctly under your environment.

Mount Conversion Adapter	
Model	Applicable Model
CS-C-R	CS Mount Series

Tripod Mount	
Model	Applicable Model
TP-HCA *	STC-MCE/MBE132U3V, STC-MCA/MBA5MUSB3
TP-JVA	0.4M, 1.6M, 2M, 2.3M, 3.2M, 4M, 5M (M*S500/510U3V)
TP-JQA	7.1M, 8.9M, 12.3M, 20.4M

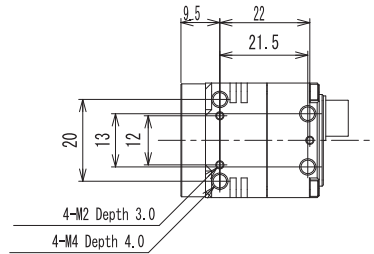
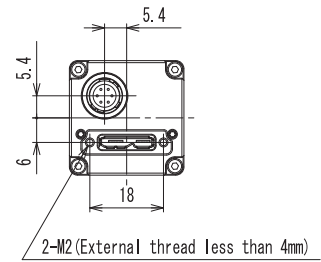
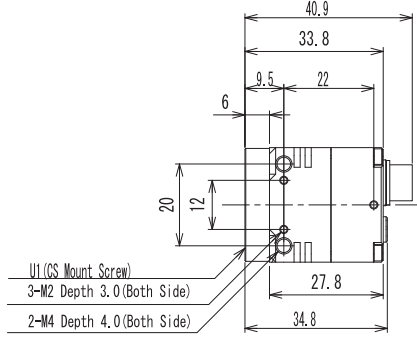
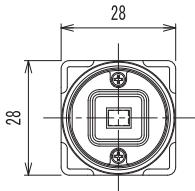
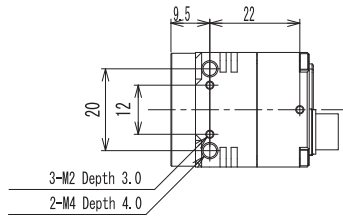
\* The tripod mount is screwed at two points on the lens side.

I/O Cables	
Model	Length
FJ-VSP2 3M	3 m
FJ-VSP2 5M	5 m
FJ-VSP2 10M	10 m

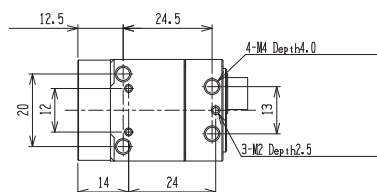
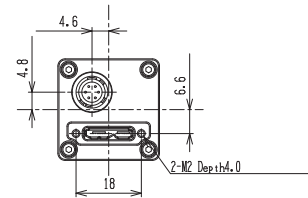
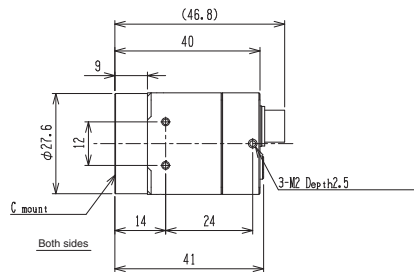
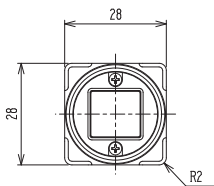
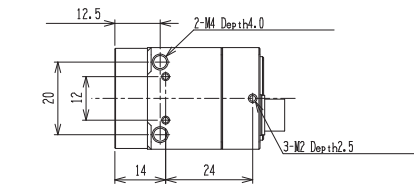
Note. Please connect the cables according to the external connector specifications prescribed in your camera's specification documents, for faulty wiring can cause failure.

## Drawing dimension

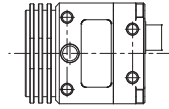
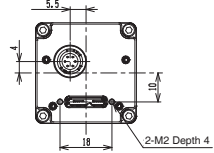
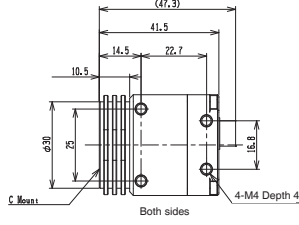
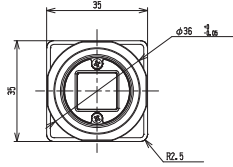
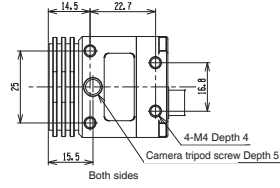
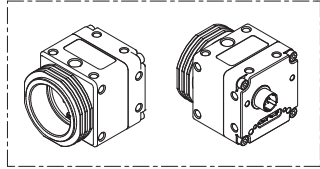
STC-MBE/MCE132U3V  
STC-MBA/MCA5MUSB3



STC-MBS/MCS43U3V  
STC-MBS/MCS163U3V  
STC-MBCM200U3V(-NIR)  
STC-MBCM/MCCM401U3V(-NIR)  
STC-MBS/MCS241U3V  
STC-MBS/MCS231U3V  
STC-MBS/MCS312U3V(-SE)  
STC-MBS/MCS322U3V(-SE)  
STC-MBS/MCS500U3V(-SE)  
STC-MBS/MCS510U3V(-SE)



STC-MBS/MCS70BU3V  
 STC-MBS/MCS881U3V  
 STC-MBS/MCS891U3V  
 STC-MBS/MCS122BU3V  
 STC-MBS/MCS123BU3V  
 STC-MBS/MCS2041U3V



USB3.0

# USB3.0 Remote Head Camera

USB3.0



## Description

Ultra-compact USB3 Vision remote head camera

## Features

Separate sensor head for installation in previously difficult locations. Robust cable ideal for moving parts

## Product Line-up

Model	Monochrome/Color	Resolution	Frame Rate	Effective Pixels (H x V)	Sensor Size	Cell Size (µm)	Sensor	Lens Mount	General Specifications
STC-RBS163U3V-UM121	Monochrome	1.6M	238 fps	1440 x 1080	1/2.9	3.45 x 3.45	IMX273	S	Cable from top, cable length: 1 m
STC-RCS163U3V-UM121	Color								Cable from top, cable length: 1 m
STC-RBS163U3V-SM121	Monochrome								Cable from top, cable length: 1 m
STC-RCS163U3V-SM121	Color								Cable from top, cable length: 2.5 m
STC-RBS163U3V-UM12	Monochrome								Cable from top, cable length: 2.5 m
STC-RCS163U3V-UM12	Color								Cable from rear, cable length: 2.5 m
STC-RBS163U3V-SM12	Monochrome								Cable from rear, cable length: 2.5 m
STC-RCS163U3V-SM12	Color								Cable from rear, cable length: 2.5 m

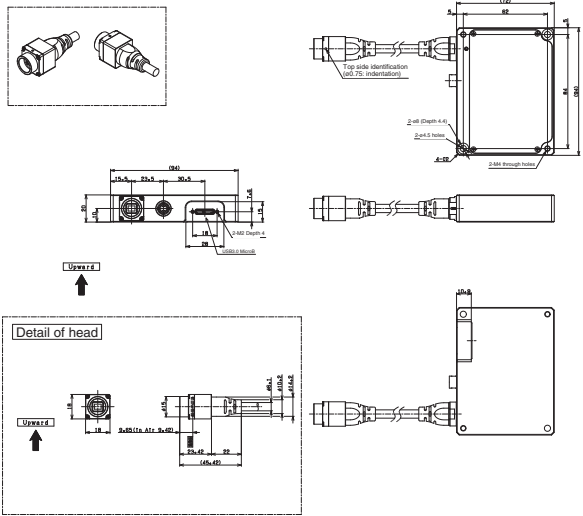
I/O Cables	
Model	Length
FJ-VSP2 3M	3 m
FJ-VSP2 5M	5 m
FJ-VSP2 10M	10 m

Note. Please connect the cables according to the external connector specifications prescribed in your camera's specification documents, for faulty wiring can cause failure.

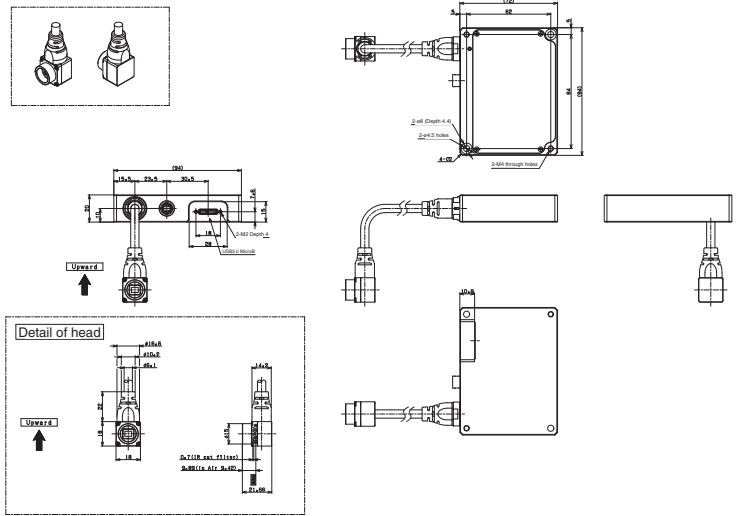


# Drawing dimension

STC-RBS/RCS163U3V-SM121(SM12)



STC-RBS163/RCS163U3V-UM121(UM12)



USB3.0

# CoaXPress Camera



## Description

High Speed CMOS CoaXPress Camera

## Features

4M, 12M

Compact case makes CoaXPress an ideal replacement for Camera Link cameras

PoCXP compliant

CoaXPress

## Product Line-up

Model	Monochrome/Color	Resolution	Frame Rate	Effective Pixels (H x V)	Sensor Size	Cell Size (µm)	Sensor	Lens Mount	General Specifications
STC-CMB401CXP	Monochrome	4M	142.5 fps	2048 x 2048	1	5.5 x 5.5	CMV4000	C	CXP3 or 6 x 1 Lane
STC-CMC401CXP	Color								
STC-CMB120ACXP	Monochrome	12M	186.9 fps	4096 x 3072	1.76	5.5 x 5.5	CMV12000	M42	CXP6 x 4, 2, 1 Lane Cable from rear
STC-CMC120ACXP	Color								
STC-CMB120ACXP-T	Monochrome								CXP6 x 4, 2, 1 Lane Cable from top
STC-CMC120ACXP-T	Color								
STC-CMB120ACXP-F	Monochrome							F	CXP6 x 4, 2, 1 Lane Cable from rear
STC-CMC120ACXP-F	Color								
STC-CMB120ACXP-T-F	Monochrome								CXP6 x 4, 2, 1 Lane Cable from top
STC-CMC120ACXP-T-F	Color								

## Accessories

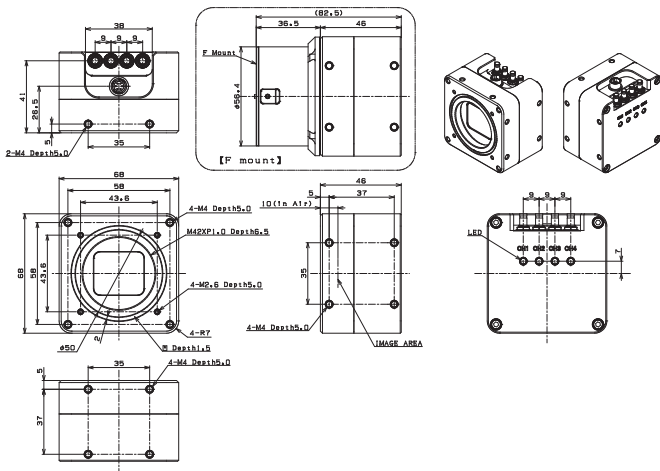
Mount Conversion Adapter		
Model	Applicable Model	General Specifications
M42-F-R	12M Model	M42 P=1 FB=10 mm → F mount Conversion Adapter

I/O Cables	
Model	Length
FJ-VSP2 3M	3 m
FJ-VSP2 5M	5 m
FJ-VSP2 10M	10 m

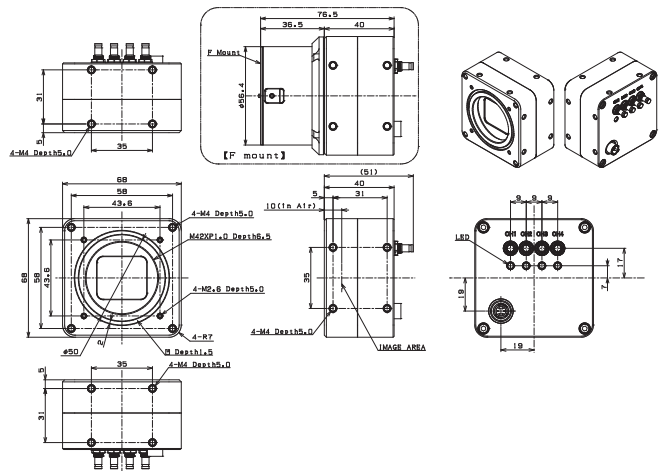
Note. Please connect the cables according to the external connector specifications prescribed in your camera's specification documents, for faulty wiring can cause failure.

# Drawing dimension

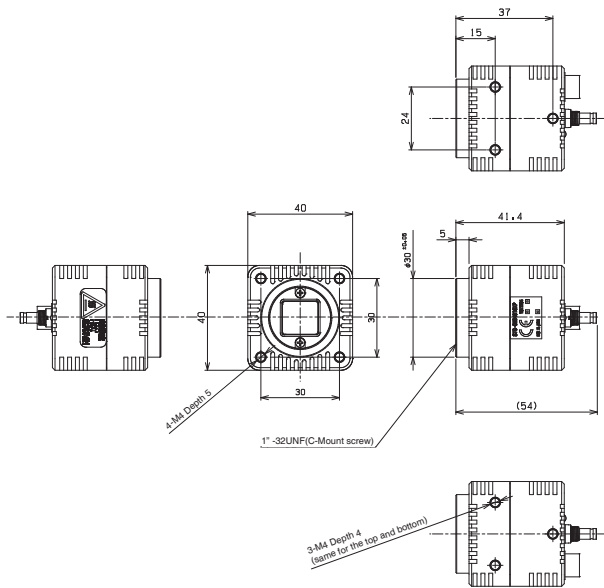
STC-CMB/CMC120ACXP-T  
STC-CMB/CMC120ACXP-T-F



STC-CMB/CMC120ACXP  
STC-CMB120ACXP-F/CMC120ACXP-F



STC-CMB/CMC401CXP



# Opt-C:Link Camera



## Description

High Speed Opt-C: Link

## Features

Video capture resolution of 12MP@279 fps (40 Gbps models)  
 Fiber-optic cable allows for noise resistance and longer cable distance  
 Can be used in moving parts by connecting with commercially available flexible cables

Opt-C:Link

## Product Line-up

Model	Monochrome/Color	Resolution	Frame Rate	Effective Pixels (H x V)	Sensor Size	Cell Size (µm)	Sensor	Lens Mount	General Specifications
STC-CMB120AOPT-F	Monochrome	12M	93.4 fps	4096 x 3072	1.76	5.5 x 5.5	CMV12000	F	External power supply, SFP+optical connector x 2
STC-CMC120AOPT-F	Color								
STC-CMB120AOPQ	Monochrome	12M	279 fps	4096 x 3072	1.76	5.5 x 5.5	CMV12000	M42	External power supply, QSPF+optical connector x 1 40 Gbps
STC-CMC120AOPQ	Color								
STC-CMB120AOPQ-F	Monochrome	12M	279 fps	4096 x 3072	1.76	5.5 x 5.5	CMV12000	F	External power supply, QSPF+optical connector x 1 40 Gbps
STC-CMC120AOPQ-F	Color								

## Accessories

### Mount Conversion Adapter

Model	Applicable Model	General Specifications
M42-F-R	12M	M42 P=1 FB=10 mm → F mount Conversion Adapter

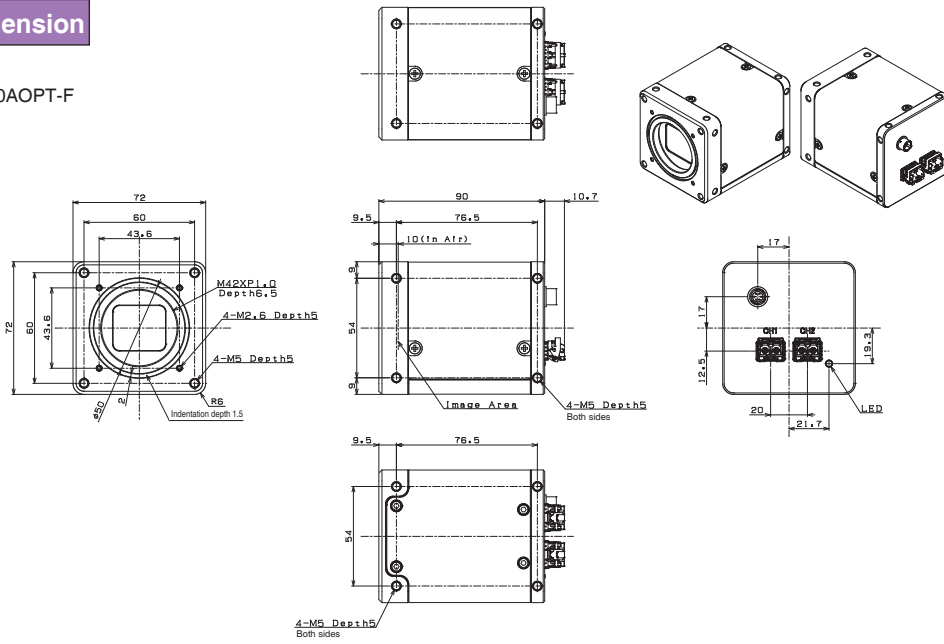
### Power Supply and I/O Cables

Model	Length
FJ-VSP2 3M	3 m
FJ-VSP2 5M	5 m
FJ-VSP2 10M	10 m

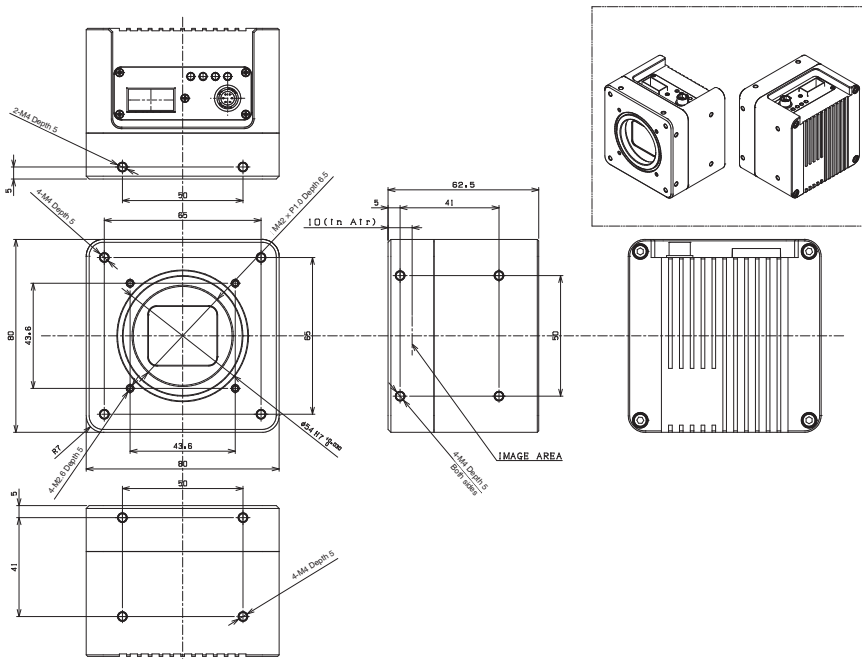
Note. Please connect the cables according to the external connector specifications prescribed in your camera's specification documents, for faulty wiring can cause failure.

# Drawing dimension

STC-CMB/CMC120AOPT-F



STC-CMB(C)120AOPQ



# Camera Link CMOS Camera



## Description

High Speed CMOS Camera Link Series

## Features

0.5M, 2M, and high-resolution 25M models newly added to product lineup

### Product Line-up

Model	Monochrome/Color	Resolution	Frame Rate	Effective Pixels (H x V)	Sensor Size	Cell Size (μm)	Sensor	Lens Mount	General Specifications
STC-CMB33PCL	Monochrome	VGA	432 fps	642 × 484	1/3	7.4 × 7.4	CMV300	C	PoCL, automatically switched, SDR connector × 2
STC-CMC33PCL	Color								
STC-SPB43PCL	Monochrome	0.4M	523.6 fps	720 × 540	1/2.9	6.9 × 6.9	IMX287	C	PoCL, automatically switched, SDR connector × 1
STC-SPC43PCL	Color								
STC-SPB52PCL	Monochrome	0.5M	166.5 fps	810 × 620	1/1.7	9 × 9	IMX433	C	PoCL, automatically switched, SDR connector × 2
STC-SPC52PCL	Color								
STC-SPB163PCL	Monochrome	1.6M	155 fps	1440 × 1080	1/2.9	3.45 × 3.45	IMX273	C	PoCL, automatically switched, SDR connector × 1
STC-SPC163PCL	Color								
STC-SPB202PCL	Monochrome	2M	89.1 fps	1620 × 1240	1/1.7	4.5 × 4.5	IMX430	C	PoCL, automatically switched, SDR connector × 2
STC-SPC202PCL	Color								
STC-CMB200PCL	Monochrome	2M	333.3 fps	2048 × 1088	2/3	5.5 × 5.5	CMV2000	C	PoCL, automatically switched, SDR connector × 2
STC-CMC200PCL	Color								
STC-CMB200PCL-NIR	Monochrome NIR								
STC-SPB312PCL	Monochrome	3.2M	55.4 fps	2048 × 1536	1/1.8	3.45 × 3.45	IMX265	C	PoCL, automatically switched, SDR connector × 1
STC-SPC312PCL	Color								
STC-SPB322PCL	Monochrome	3.2M	216.2 fps	2048 × 1536	1/1.8	3.45 × 3.45	IMX252	C	PoCL, automatically switched, SDR connector × 2
STC-SPC322PCL	Color								
STC-CMB401PCL	Monochrome	4M	179.2 fps	2048 × 2048	1	5.5 × 5.5	CMV4000	C	PoCL, automatically switched, SDR connector × 2
STC-CMC401PCL	Color								
STC-CMB401PCL-NIR	Monochrome NIR								
STC-APB503PCL	Monochrome	5M	14 fps	2592 × 1944	1/2.5	2.2 × 2.2	MT9P031	C	PoCL only SDR connector × 2
STC-APC503PCL	Color								
STC-SPB500PCL	Monochrome	5M	35.7 fps	2448 × 2048	2/3	3.45 × 3.45	IMX264	C	PoCL, automatically switched, SDR connector × 1
STC-SPC500PCL	Color								
STC-SPB510PCL	Monochrome	5M	163.4 fps	2448 × 2048	2/3	3.45 × 3.45	IMX250	C	PoCL, automatically switched, SDR connector × 2
STC-SPC510PCL	Color								
STC-SPB881PCL	Monochrome	8.9M	20.6 fps	4096 × 2160	1	3.45 × 3.45	IMX267	C	PoCL, automatically switched, SDR connector × 1
STC-SPC881PCL	Color								
STC-SPB891PCL	Monochrome	8.9M	91.9 fps	4096 × 2160	1	3.45 × 3.45	IMX255	C	PoCL, automatically switched, SDR connector × 2
STC-SPC891PCL	Color								
STC-SPB122BPCL	Monochrome	12.3M	15 fps	4096 × 3000	1.1	3.45 × 3.45	IMX304	C	PoCL, automatically switched, SDR connector × 1
STC-SPC122BPCL	Color								
STC-SPB123BPCL	Monochrome	12.3M	66.9 fps	4096 × 3000	1.1	3.45 × 3.45	IMX253	C	PoCL, automatically switched, SDR connector × 2
STC-SPC123BPCL	Color								
STC-CMB120APCL	Monochrome	12M	62.3 fps	4096 × 3072	1.76	5.5 × 5.5	CMV12000	M42	PoCL, automatically switched, SDR connector × 2
STC-CMC120APCL	Color								
STC-CMB120APCL-F	Monochrome							F	PoCL, automatically switched, SDR connector × 2
STC-CMC120APCL-F	Color								

Go to the next page

Model	Monochrome/Color	Resolution	Frame Rate	Effective Pixels (H × V)	Sensor Size	Cell Size (μm)	Sensor	Lens Mount	General Specifications
STC-OSB250CL	Monochrome	25M	31.8 fps	5120 × 5120	APS-H (32.6 mm diagonal)	4.5 × 4.5	PYTHON 25K	M42	PoCL not supported SDR connector × 2
STC-OSB250CL-F								F	PoCL not supported SDR connector × 2

## Accessories

### Mount Conversion Adapter

Model	Applicable Model	General Specifications
M42-F-R	12M, 25M	M42 P=1 FB=10 mm → F mount Conversion Adapter

### Tripod Mount

Model	Applicable Model
TP-JQA	VGA, 2M (CM*200PCL), 3.2M, 4M, 5M (SP*500/510PCL), 8.9M, 12.3M

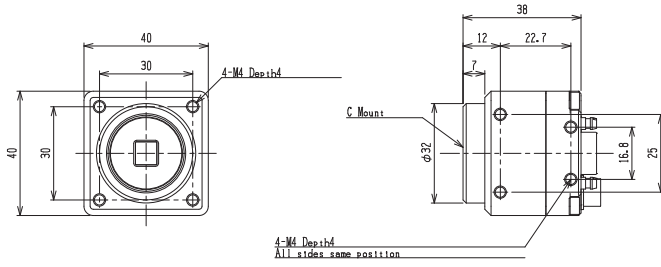
### Power Supply and I/O Cables

Model	Length
FJ-VSP2 3M	3 m
FJ-VSP2 5M	5 m
FJ-VSP2 10M	10 m

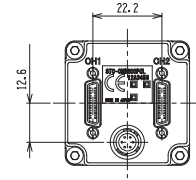
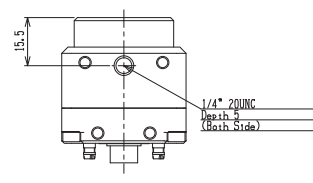
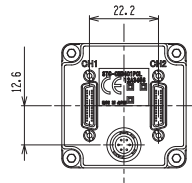
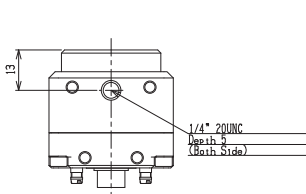
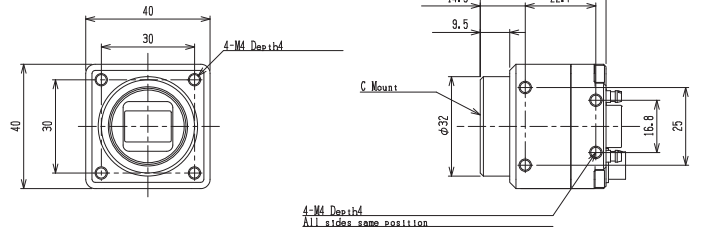
Note. Please connect the cables according to the external connector specifications prescribed in your camera's specification documents, for faulty wiring can cause failure.

# Drawing dimension

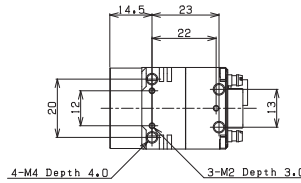
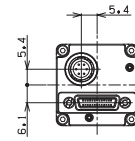
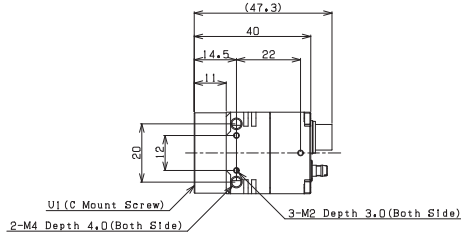
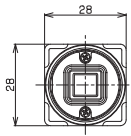
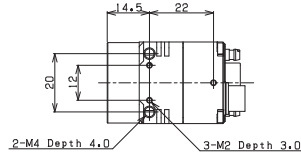
STC-CMB/CMC33PCL



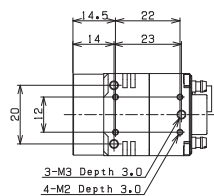
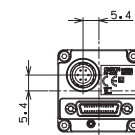
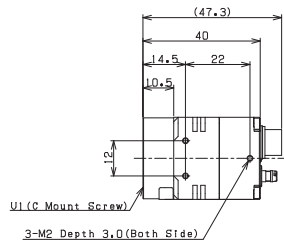
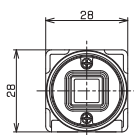
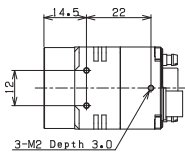
STC-CMB/CMC200PCL  
STC-CMB/CMC401PCL



STC-APB/APC503PCL



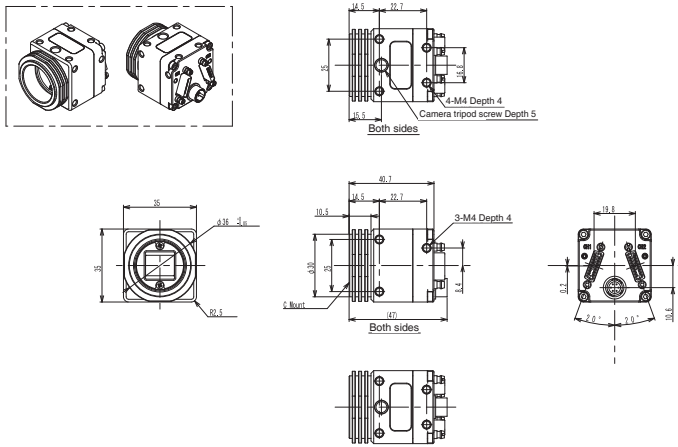
STC-SPB/SPC43PCL  
STC-SPB/SPC52PCL  
STC-SPB/SPC163PCL  
STC-SPB/SPC202PCL



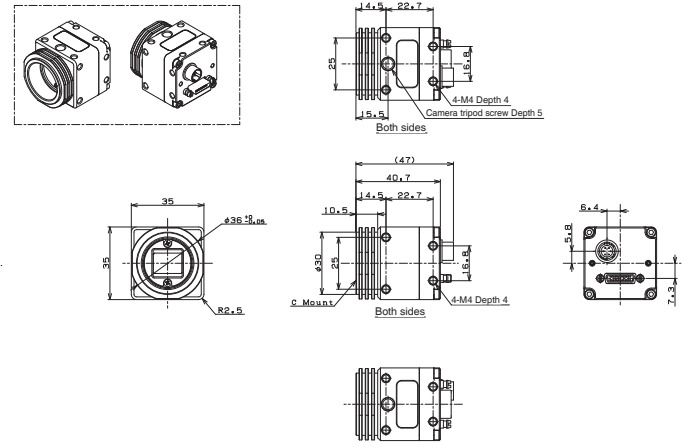


# Drawing dimension

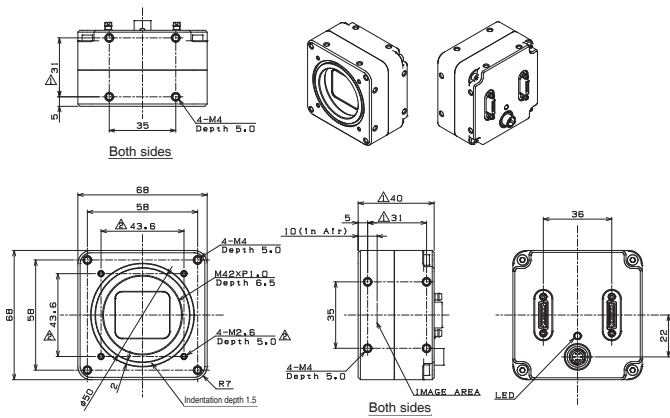
STC-SPB/SPC322PCL  
 STC-SPB/SPC510PCL  
 STC-SPB/SPC891PCL  
 STC-SPB/SPC123BPCL



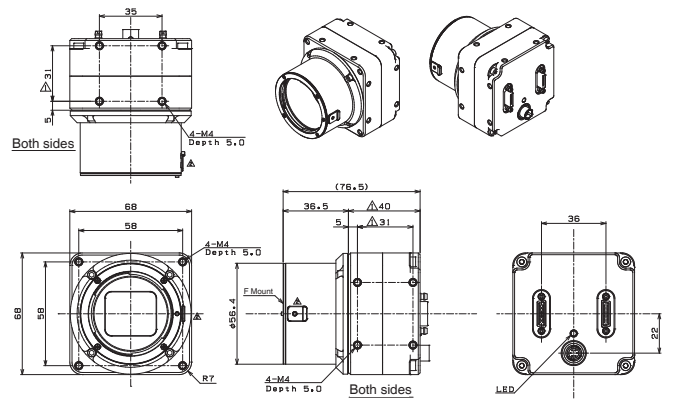
STC-SPB/SPC312PCL  
 STC-SPB/SPC500PCL  
 STC-SPB/SPC881PCL  
 STC-SPB/SPC122BPCL



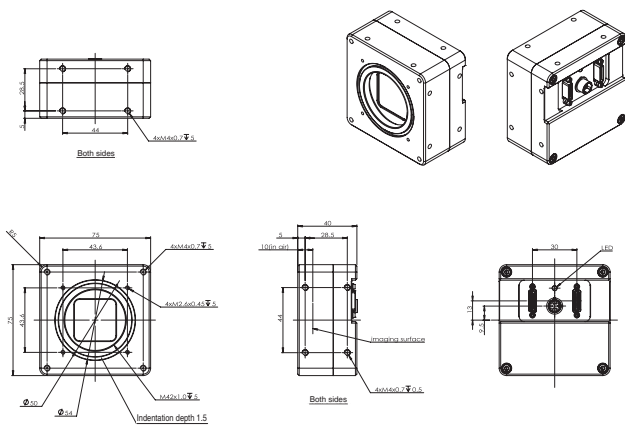
STC-CMB/CMC120APCL



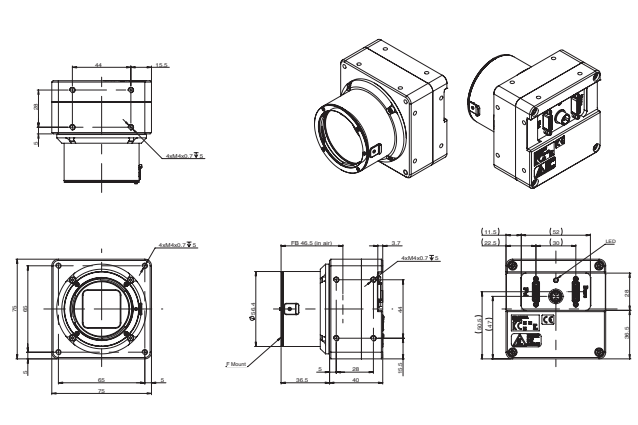
STC-CMB/CMC120APCL-F



STC-OSB250CL



STC-OSB250CL-F



# Camera Link Remote Head Camera



## Description

Ultra-compact remote head Camera Link camera

## Features

Separate sensor head for installation in previously difficult locations

Bend-resistant cable ideal for moving parts

## Product Line-up

Model	Monochrome/Color	Resolution	Frame Rate	Effective Pixels (H x V)	Sensor Size	Cell Size (μm)	Sensor	Lens Mount	General Specifications
STC-RBS43PCL-SM12	Monochrome	0.4M	523.6 fps	720 × 540	1/2.9	6.9 × 6.9	IMX287	S	PoCL, automatically switched, SDR connector × 1 Cable from rear, cable length: 2.5 m
STC-RCS43PCL-SM12	Color								
STC-RBS43PCL-UM12	Monochrome								
STC-RCS43PCL-UM12	Color								
STC-RBS163PCL-SM12	Monochrome	1.6M	236.3 fps	1440 × 1080	1/2.9	3.45 × 3.45	IMX273	S	PoCL, automatically switched, SDR connector × 1 Cable from rear, cable length: 2.5 m
STC-RCS163PCL-SM12	Color								
STC-RBS163PCL-UM12	Monochrome								
STC-RCS163PCL-UM12	Color								

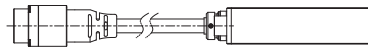
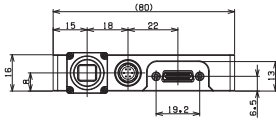
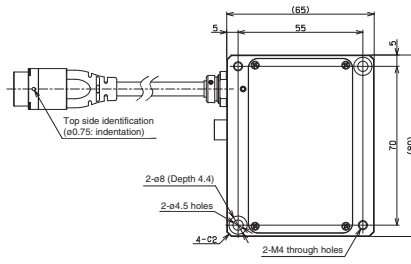
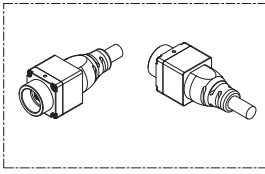
## Accessories

Power Supply and I/O Cables	
Model	Length
FJ-VSP2 3M	3 m
FJ-VSP2 5M	5 m
FJ-VSP2 10M	10 m

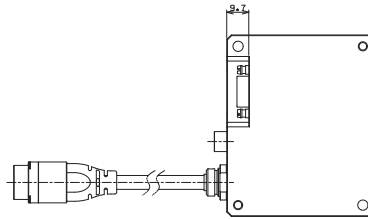
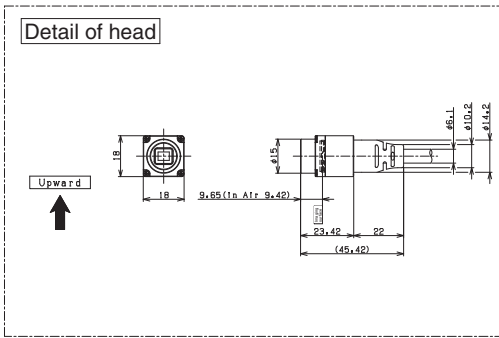
Note. Please connect the cables according to the external connector specifications prescribed in your camera's specification documents, for faulty wiring can cause failure.

## Drawing dimension

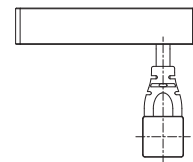
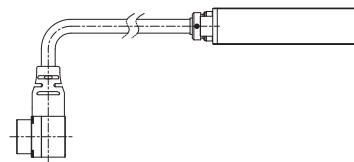
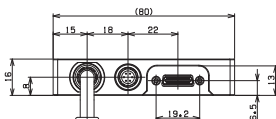
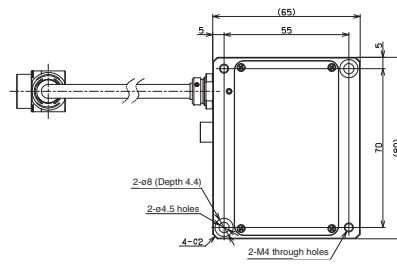
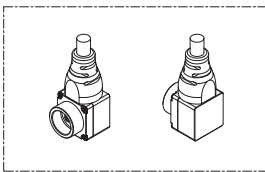
STC-RBS/RCS43PCL-SM12  
STC-RBS/RCS163PCL-SM12



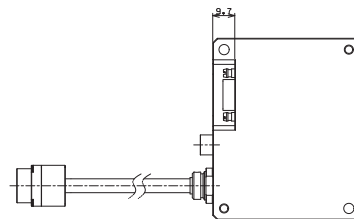
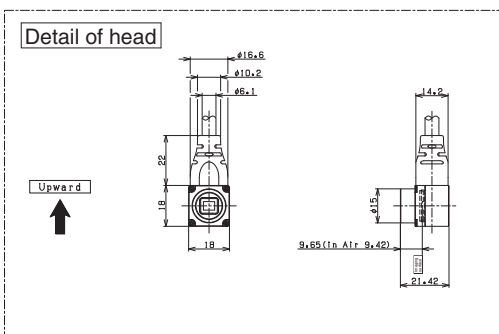
Upward



STC-RBS/RCS43PCL-UM12  
STC-RBS/RCS163PCL-UM12



Upward



# Camera Link Line Scan Camera



## Description

Camera Link Line Scan Camera

## Features

2K-16K models with high-speed CMOS sensor  
A rich assortment of features including FFC and ROI;  
compact case designed for easy installation

## Product Line-up

Model	Monochrome/Color	Resolution	Line Rate	Pixel size	Sensor	Sensor Type	Lens Mount	
FS-B2KU7CLU-C	Monochrome	2048 × 1	80 kHz	7 μm	DR-2K-7	Single	C	
FS-B2KU7CLU-F							F	
FS-B2KU7CLU-M42							M42	
FS-B4KU7CLU-F		4096 × 1		7 μm	DR-4K-7	Single	F	
FS-B4KU7CLU-M42							M42	
FS-B4KU35CLU-C		4096 × 1		3.5 μm	DR-4K-3.5	Single	C	
FS-B4KU35CLU-F			F					
FS-B4KU35CLU-M42			M42					
FS-B8KU7CLU-M72		8192 × 1	7 μm	DR-8K-7	Single	M72		
FS-B8KU35CLU-F						F		
FS-B8KU35CLU-M42			M42					
FS-B16KU35CLU-M72		16384 × 1	40 kHz	3.5 μm	DR-16K-3.5	Single	M72	
FS-B2KU7DCLU-C		Color	2048 × 2	160 kHz/ 80 kHz	7 μm	DR-2 × 2K-7-inver	Dual	C
FS-B2KU7DCLU-F								F
FS-B2KU7DCLU-M42								M42
FS-B4KU7DCLU-F			4096 × 2	160 kHz	7 μm	DR-2 × 4K-7-inver	Dual	F
FS-B4KU7DCLU-M42	M42							
FS-B8KU7DCLU-M72	8192 × 2		7 μm	DR-2 × 8K-7	Dual	M72		
FS-C2KU7DCLU-C	Color		2048 × 2	26 kHz	7 μm	DR-2 × 2K-7-inver-RGB	Dual	C
FS-C2KU7DCLU-F								F
FS-C2KU7DCLU-M42								M42
FS-C4KU7DCLU-F			4096 × 2	13 kHz	7 μm	DR-2 × 4K-7-inver-RGB	Dual	F
FS-C4KU7DCLU-M42								M42
FS-C8KU7DCLU-M72			8192 × 2	40 kHz	7 μm	DR-2 × 8K-7-RGB	Dual	M72

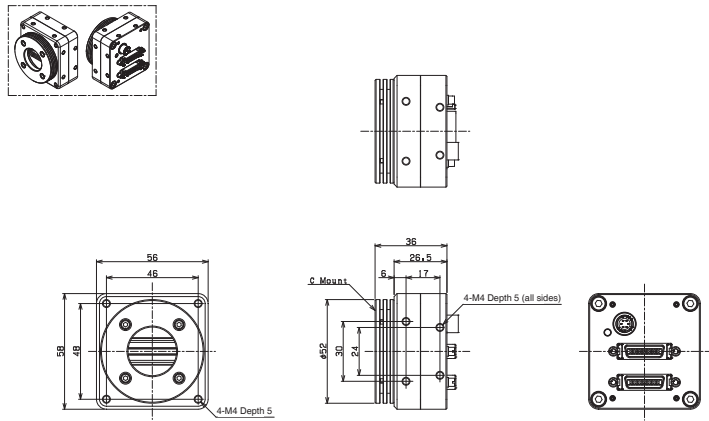
## Accessories

Power Supply and I/O Cables	
Model	Length
FJ-VSP2 3M	3 m
FJ-VSP2 5M	5 m
FJ-VSP2 10M	10 m

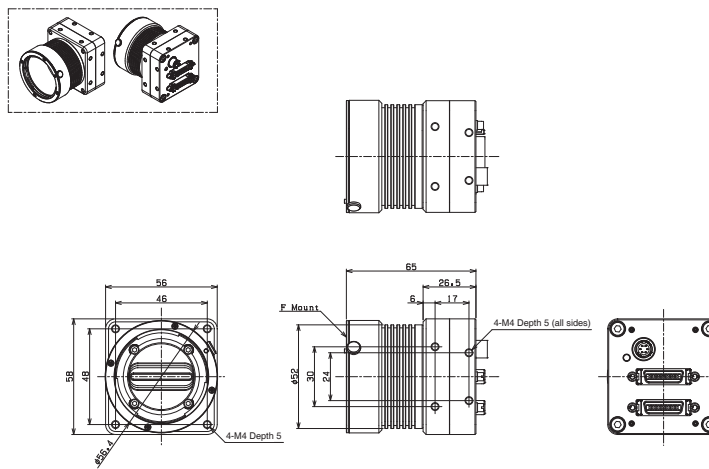
Note. Please connect the cables according to the external connector specifications prescribed in your camera's specification documents, for faulty wiring can cause failure.

# Drawing dimension

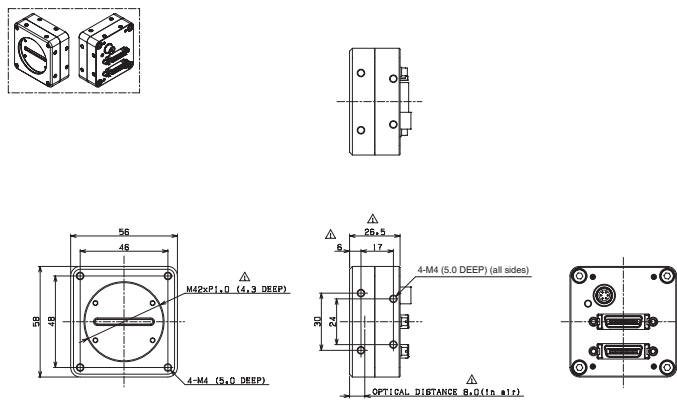
C Mount (2K/4K)



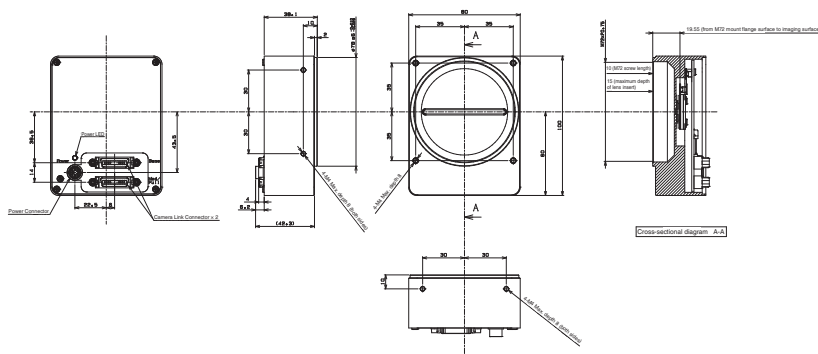
F Mount (2K/4K/8K)



M42 Mount (2K/4K/8K)



M72 Mount (8K/16K)



## 4K HDMI Camera



### Description

HDMI Output 4K Color Camera

### Features

4K video can be output at 60 fps to monitor directly connected via HDMI cable

Available 120 fps output (1080 p) at Full HD mode (1080P/120 fps monitor)

Connectable to the monitor directly using HDMI connector

Optimized for observing system which cannot use PC

### Product Line-up

Model	Monochrome/Color	Resolution	Frame Rate	Effective Pixels (H × V)	Sensor Size	Cell Size (μm)	Sensor	Lens Mount
STC-HD853HDMI	Color	2160P	60 fps	3840 × 2160	1/2.5	1.62 × 1.62	IMX274	C

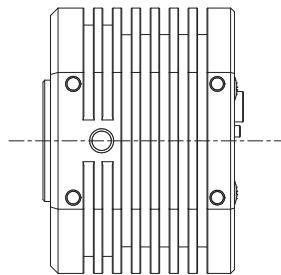
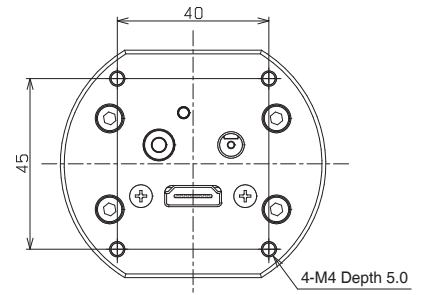
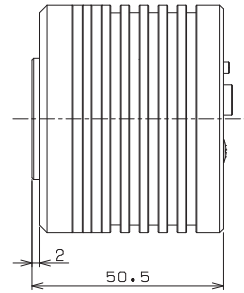
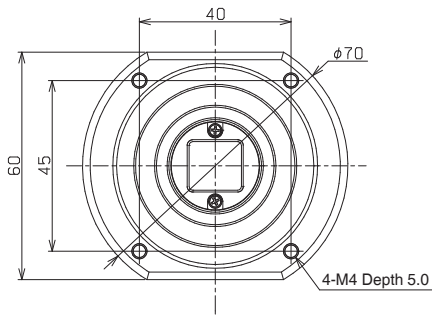
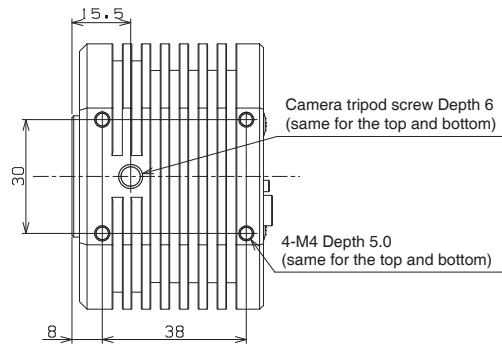
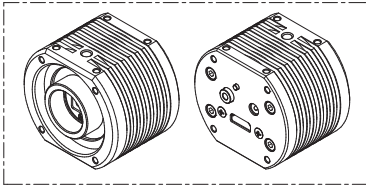
### Accessories

Remote Control Unit		
Model	Applicable Model	General Specifications
RC-HD133	HDMI/DVI/SDI	ø3.5 stereo pin jack

Note. Ask your Omron representative about AC adapter.

**Drawing dimension**

STC-HD853HDMI



# HD High-Definition Camera



## Description

DVI Output Color Camera

## Features

Connect directly to monitor with HDMI connector to build observing system without PC. Use of optional remote unit enables crosshair and shadow masks to be displayed on screen.

## Product Line-up

Model	Monochrome/Color	Resolution	Frame Rate	Effective Pixels (H × V)	Sensor Size	Cell Size (μm)	Sensor	Lens Mount
STC-HD203DV	Color	1080P/ 1080i	60 fps	1920 × 1080	1/2.8	2.8 × 2.8	IMX136	C
STC-HD203DV-CS								CS
STC-HD213DV*							IMX291	C
STC-HD213DV-CS*								CS

Note. Sales of STC-HD203DV and HD203DV-CS are set to be discontinued. STC-HD213DV and HD213DV-CS are successors to these products.  
\* These models are coming soon.

HDMI/DVI/SDI

## Accessories

Mount Conversion Adapter		
Model	Applicable Model	General Specifications
CS-C-R	CS Mount Series	

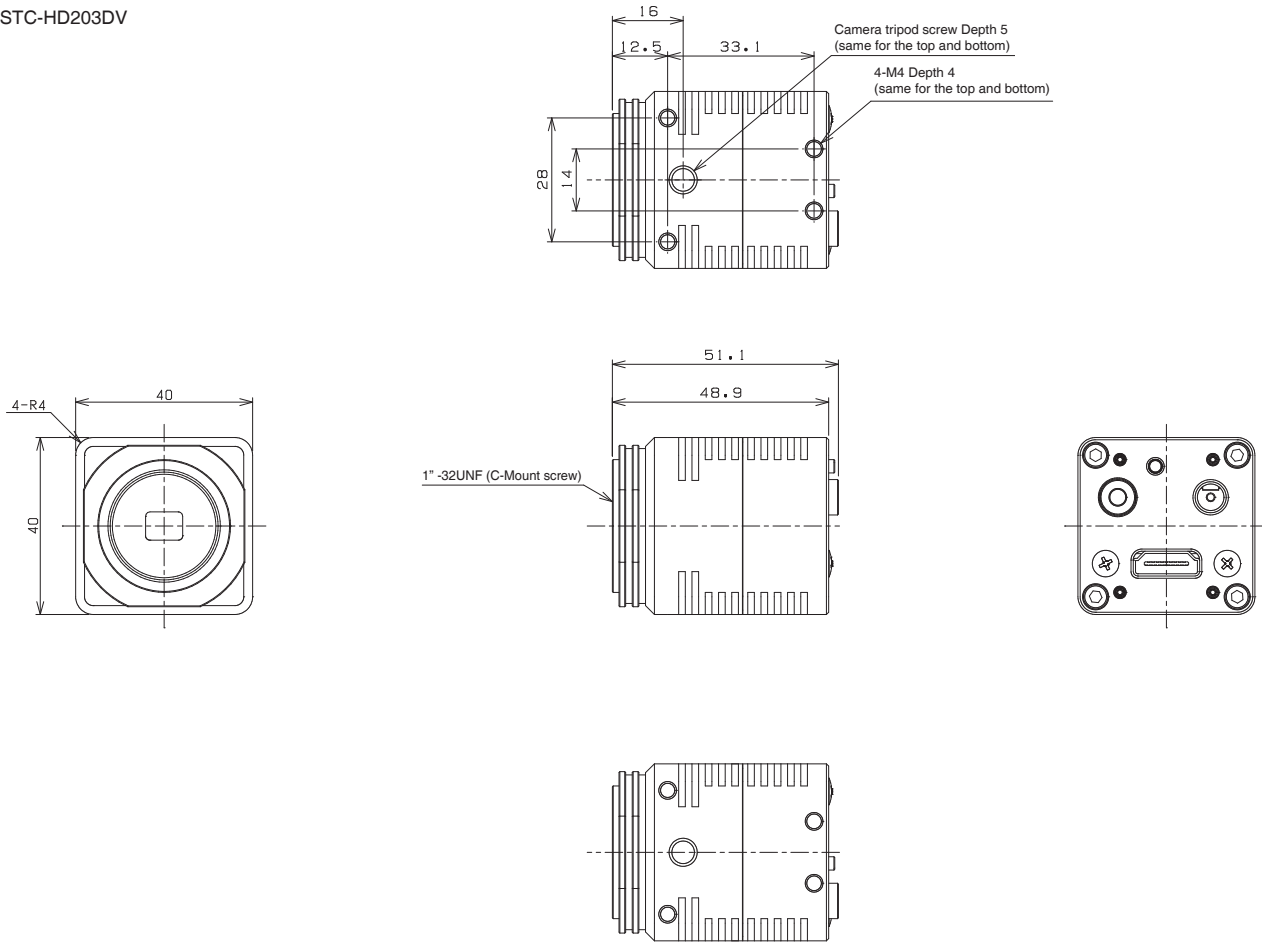
Remote Control Unit		
Model	Applicable Model	General Specifications
RC-HD133	HDMI/DVI/SDI	ø3.5 stereo pin jack

Note. Ask your Omron representative about AC adapter.

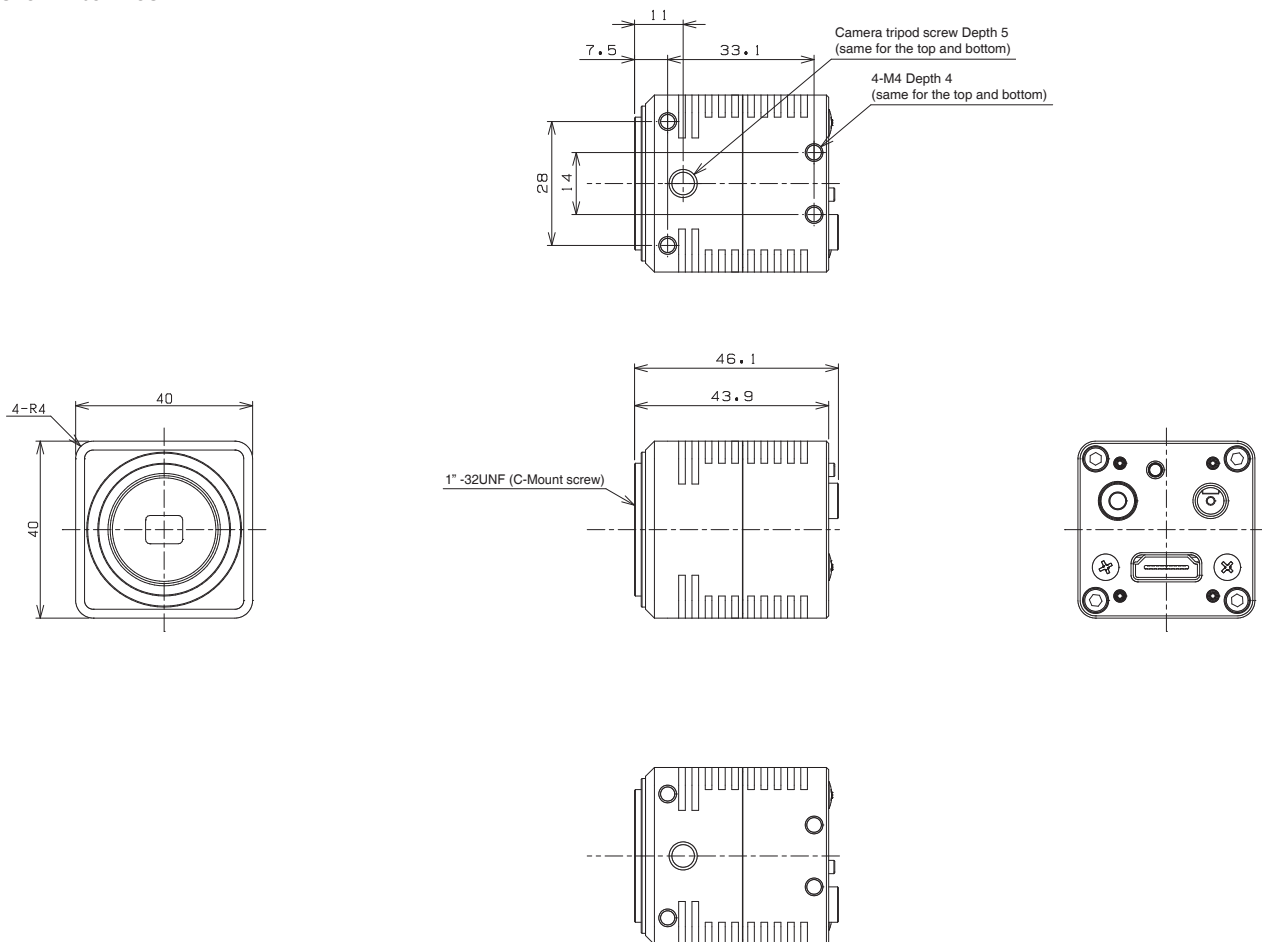


## Drawing dimension

STC-HD203DV



STC-HD203DV-CS



# HD-SDI High-Definition Camera



## Description

HD-SDI Output Color Camera

## Features

Connect directly to monitor with versatile BNC connector. Suitable for long distance image transmission. Use of optional remote unit enables crosshair and shadow masks to be displayed on screen.

## Product Line-up

Model	Monochrome/Color	Resolution	Frame Rate	Effective Pixels (H x V)	Sensor Size	Cell Size (µm)	Sensor	Lens Mount
STC-HD203SDI	Color	1080P/1080i	60 fps	1920 x 1080	1/2.8	2.8 x 2.8	IMX136	C
STC-HD203SDI-CS								CS
STC-HD213SDI*							IMX291	C
STC-HD213SDI-CS*								CS

Note. Sales of STC-HD203SDI and HD203SDI-CS are set to be discontinued. STC-HD213SDI and HD213SDI-CS are successors to these products.  
\* These models are coming soon.

HDMI/DVI/SDI

## Accessories

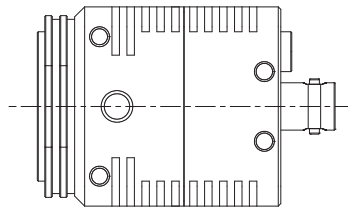
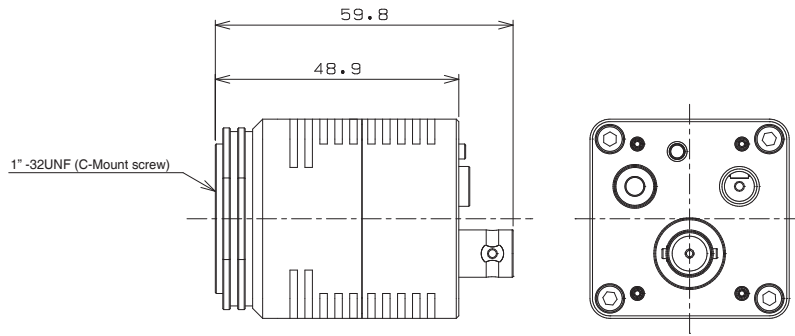
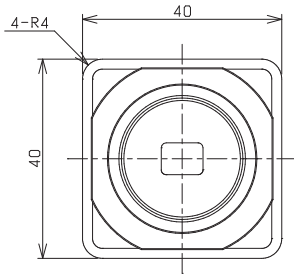
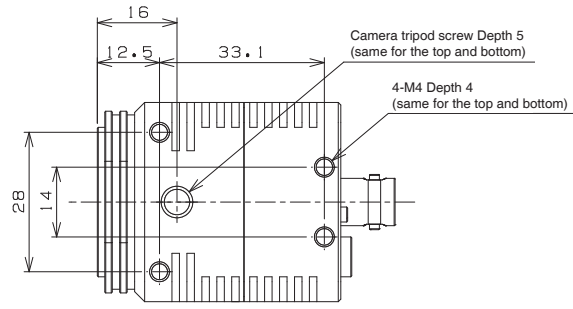
Mount Conversion Adapter		
Model	Applicable Model	General Specifications
CS-C-R	CS Mount Series	

Remote Control Unit		
Model	Applicable Model	General Specifications
RC-HD133	HDMI/DVI/SDI	ø3.5 stereo pin jack

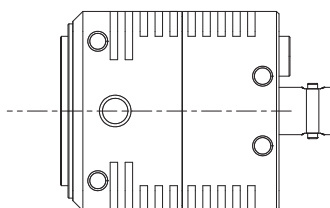
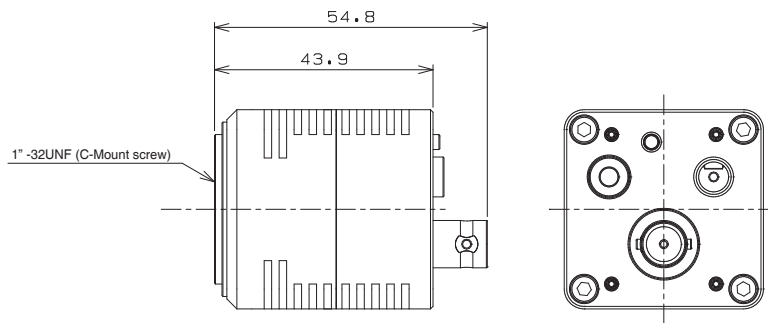
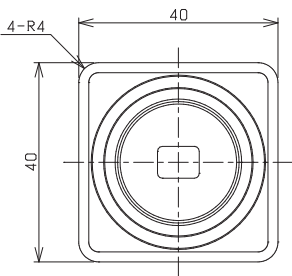
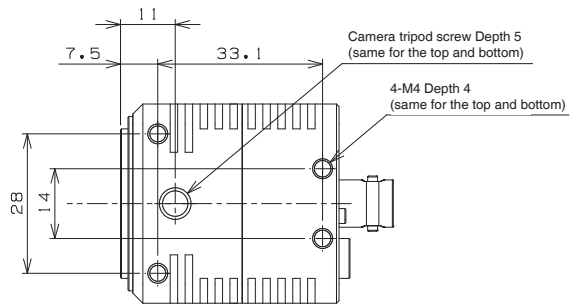
Note. Ask your Omron representative about AC adapter.

**Drawing dimension**

STC-HD203SDI



STC-HD203SDI-CS



## Analog Progressive Camera

---



### Description

Progressive Scan Monochrome CCD Camera

### Features

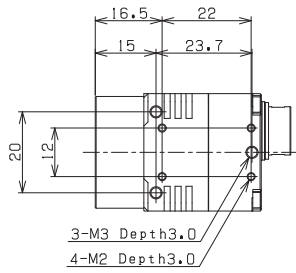
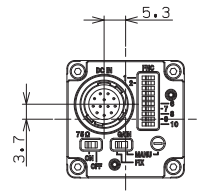
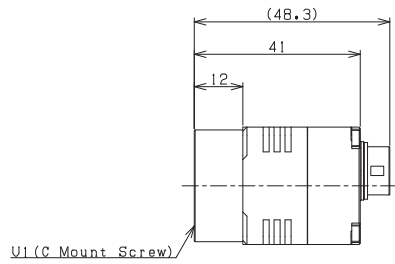
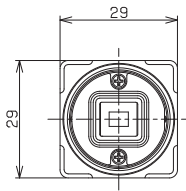
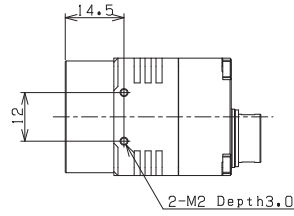
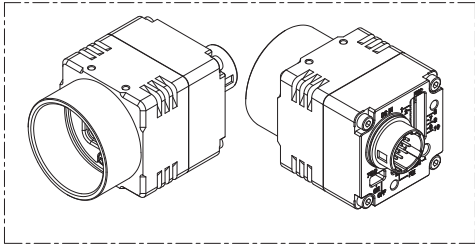
Small Camera with Progressive Scan Monochrome CCD  
SHARP CCD sensor is adapted and suitable to replacement

### Product Line-up

Model	Monochrome/Color	Resolution	Frame Rate	Effective Pixels (H x V)	Sensor Size	Cell Size (µm)	Sensor	Lens Mount
STC-MB33SS	Monochrome	VGA	90 fps	648 x 494	1/3	7.4 x 7.4	RJ33B4AA0DT	C

# Drawing dimension

STC-MB33SS



# TV Format Color Camera S133N-B Series



## Description

1/3.2" 0.65 Mpix TV format color CMOS camera

## Features

DC jack type and terminal block type for power input

## Product Line-up

Model	Monochrome/Color	Resolution	Video Format	Effective Pixels (H × V)	Sensor Size	Cell Size (μm)	Sensor	Lens Mount
STC-S133N-B*	Color	0.65M	NTSC	1280 × 486	1/3.2	3.5 × 3.5	ISX017	CS
STC-S133P-B*			PAL	1211 × 576				

\* Select a model from the Line-up list below when ordering.

## Accessories

Mount Conversion Adapter		
Model	Applicable Model	General Specifications
CS-C-R	CS Mount Series	

Remote Control Unit		
Model	Applicable Model	General Specifications
RC-S133B	S133N-B Series	

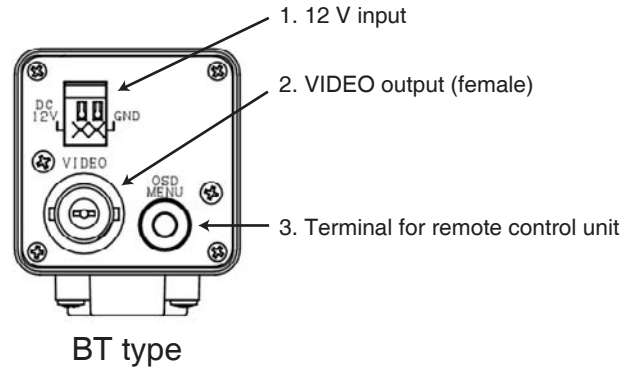
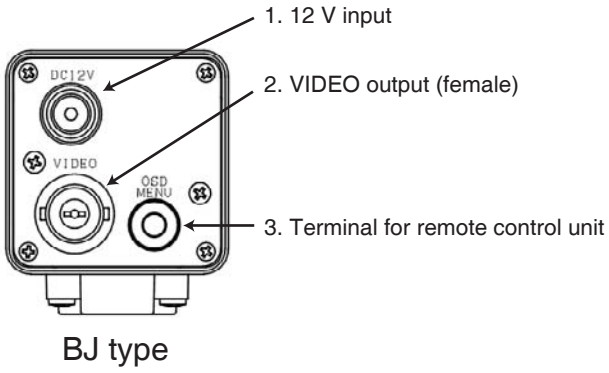
Note. Ask your Omron representative about AC adapter.

## Line-up

Model	Monochrome/Color	Sensor Size	Lens Mount	Video Format	General Specifications
STC-S133N-BJ	Color	1/3.2	CS	NTSC	Case, output: BNC
STC-S133P-BJ				PAL	
STC-S133N-BT				NTSC	
STC-S133P-BT				PAL	

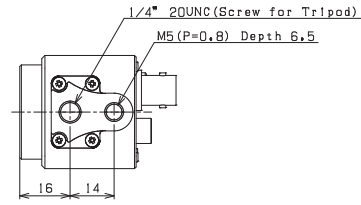
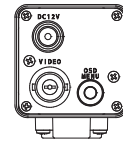
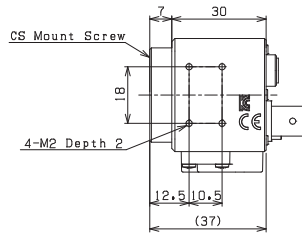
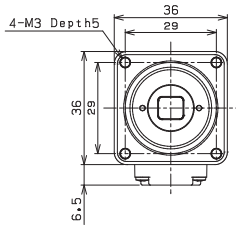
**Drawing dimension**

**[External Connector Specification]**

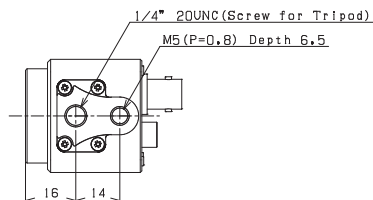
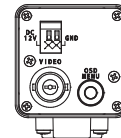
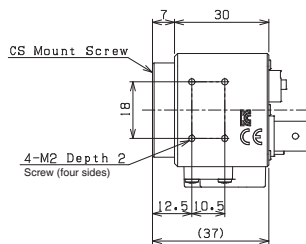
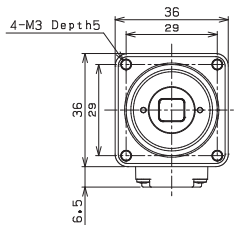


**[Drawing dimension]**

**BJ type**



**BT type**



# Small Board Camera STC-S133 Series



## Description

Small Board Camera

## Features

Compact and lightweight camera for integration into machines  
Select the best interface to suit application

## Product Line-up

Model	Monochrome/Color	Resolution	Effective Pixels (H x V)	Sensor Size	Cell Size (µm)	Sensor	Interface
STC-S133N-**	Color	0.65M	1280 x 486	1/3.2	3.5 x 3.5	ISX017	NTSC
STC-S133P-**			1211 x 576				PAL
STC-S133UVC-**		1.3M	1280 x 960				USB3.0 (UVC)
STC-S133MIP-**							MIPI

\* Select a model from the Line-up list below when ordering.

## Line-up

TV Format (NTSC/PAL)							
Model	Monochrome/Color	Frame Rate	Sensor Size	Lens Mount	General Specifications		
STC-S133N	Color	30 fps	1/3.2	---	DPF, Board, Base (without lens mount)		
STC-S133P		25 fps		---	DPF, Board, Base (without lens mount)		
STC-S133N-NF		30 fps		---	Board, Base (without lens mount), No filter		
STC-S133P-NF		25 fps		---	Board, Base (without lens mount), No filter		
STC-S133N-L		30 fps		S	DPF, Board, S Mount		
STC-S133N-LS		30 fps		S	DPF, Board, S Mount, Lens fixing washer		
STC-S133P-L		25 fps		S	DPF, Board, S Mount		
STC-S133N-CS		30 fps		CS	DPF, Board, CS Mount		
STC-S133P-CS		25 fps		CS	DPF, Board, CS Mount		
STC-S133N-I		30 fps		---	IRCF, Board, Base (without lens mount)		
STC-S133P-I		25 fps		---	IRCF, Board, Base (without lens mount)		
STC-S133N-IL		30 fps		S	IRCF, Board, S Mount		
STC-S133P-IL		25 fps		S	IRCF, Board, S Mount		
STC-S133N-ICS		30 fps		CS	IRCF, Board, CS Mount		
STC-S133P-ICS		25 fps		CS	IRCF, Board, CS Mount		
STC-S133N-ILS		30 fps		S	IRCF, Board, S Mount, Lens fixing washer		
STC-S133N-AL		30 fps		S	DPF, Case, S Mount		
STC-S133P-AL		25 fps		S	DPF, Case, S Mount		
STC-S133N-ACS		30 fps		CS	DPF, Case, CS Mount		
STC-S133P-ACS		25 fps		CS	DPF, Case, CS Mount		
STC-S133N-IAL		30 fps		S	IRCF, Case, S Mount		
STC-S133P-IAL		25 fps		S	IRCF, Case, S Mount		
STC-S133N-IACS		30 fps		CS	IRCF, Case, CS Mount		
STC-S133P-IACS		25 fps		CS	IRCF, Case, CS Mount		

Note: DPF: Dual Pass Filter, IRCF: IR Cut Filter

Go to the next page



USB3.0 (UVC)					
Model	Monochrome/Color	Frame Rate	Sensor Size	Lens Mount	General Specifications
STC-S133UVC-BL	Color	60 fps	1/3.2	---	IRCF, Board, Base (without lens mount), Connector from bottom
STC-S133UVC-BLL				S	IRCF, Board, S Mount, Connector from bottom
STC-S133UVC-BLCS				CS	IRCF, Board, CS Mount, Connector from bottom
STC-S133UVC-DBL				---	DPF, Board, Base (without lens mount), Connector from bottom
STC-S133UVC-DBLL				S	DPF, Board, S Mount, Connector from bottom
STC-S133UVC-DBLCS				CS	DPF, Board, CS Mount, Connector from bottom
STC-S133UVC-ALL				S	IRCF, Case, S Mount, Connector from bottom
STC-S133UVC-ALCS				CS	IRCF, Case, CS Mount, Connector from bottom
STC-S133UVC-DALL				S	DPF, Case, S Mount, Connector from bottom
STC-S133UVC-DALCS				CS	DPF, Case, CS Mount, Connector from bottom
STC-S133UVC-BS				---	IRCF, Board, Base (without lens mount), Connector from rear
STC-S133UVC-BSL				S	IRCF, Board, S Mount, Connector from rear
STC-S133UVC-BSCS				CS	IRCF, Board, CS Mount, Connector from rear
STC-S133UVC-DBS				---	DPF, Board, Base (without lens mount), Connector from rear
STC-S133UVC-DBSL				S	DPF, Board, S Mount, Connector from rear
STC-S133UVC-DBSCS				CS	DPF, Board, CS Mount, Connector from rear

Note. DPF: Dual Pass Filter, IRCF: IR Cut Filter

MIPI					
Model	Monochrome/Color	Frame Rate	Sensor Size	Lens Mount	General Specifications
STC-S133MIP	Color	60 fps	1/3.2	---	IRCF, Board, Base (without lens mount)
STC-S133MIP-CS				CS	IRCF, Board, CS Mount
STC-S133MIP-L				S	IRCF, Board, S Mount
STC-S133MIP-NF				---	Board, No filter
STC-S133MIP-D				---	DPF, Board, Base (without lens mount)
STC-S133MIP-DCS				CS	DPF, Board, CS Mount
STC-S133MIP-DL				S	DPF, Board, S Mount
STC-S133MIP-ALL				S	IRCF, Case, S Mount
STC-S133MIP-ALCS				CS	IRCF, Case, CS Mount
STC-S133MIP-DALL				S	DPF, Case, S Mount
STC-S133MIP-DALCS				CS	DPF, Case, CS Mount

Note. DPF: Dual Pass Filter, IRCF: IR Cut Filter  
Harness is included.

## Accessories

Remote Control Unit	
Model	Applicable Model
RC-S133	S133N(P) Series

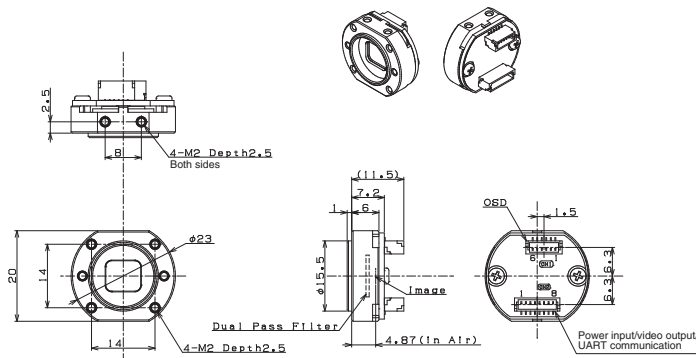
Mount Conversion Adapter	
Model	Applicable Model
CS-C-R	CS-Mount Models of all S133 Series

Harness for Power Supply/Signal Output		
Model	Applicable Model	General Specifications
KSAF005	For S133N/P	8-pin connector to power pin jack and BNC connector
KSAF006	For S133N/P	8-pin connector to power pin jack and RCA connector

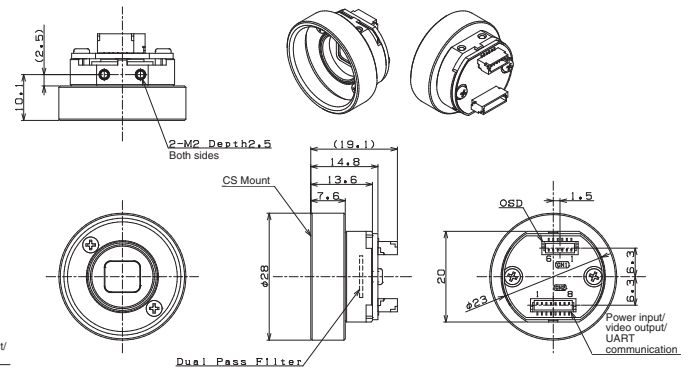
Note. Ask your Omron representative about AC adapter.

## Drawing dimension

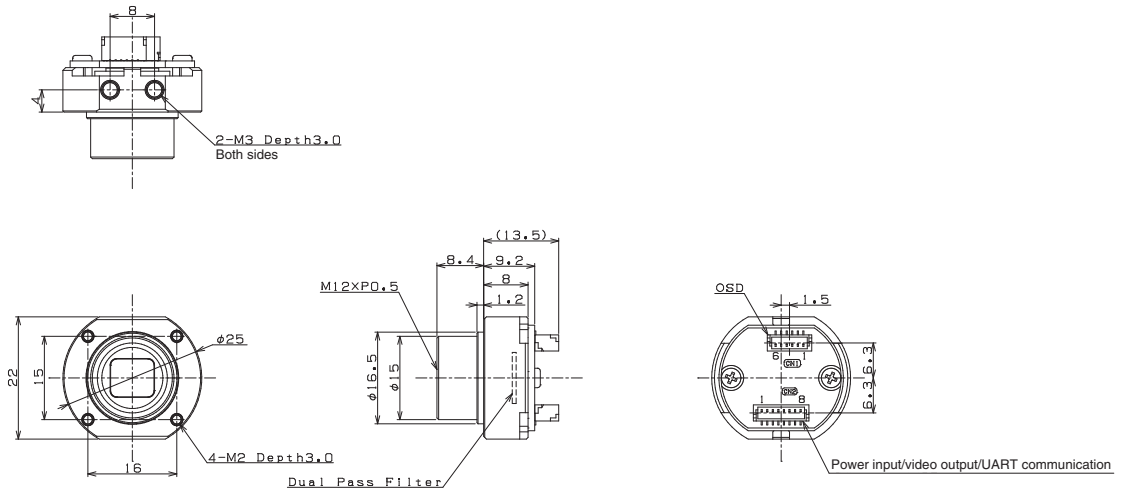
STC-S133N(P)/I



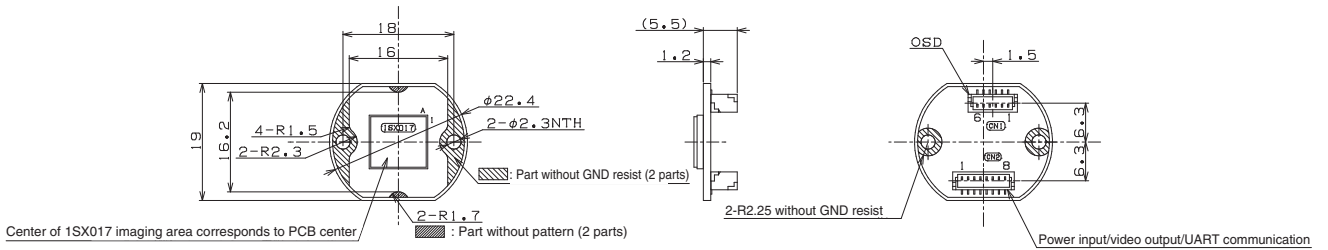
STC-S133N(P)/ICS



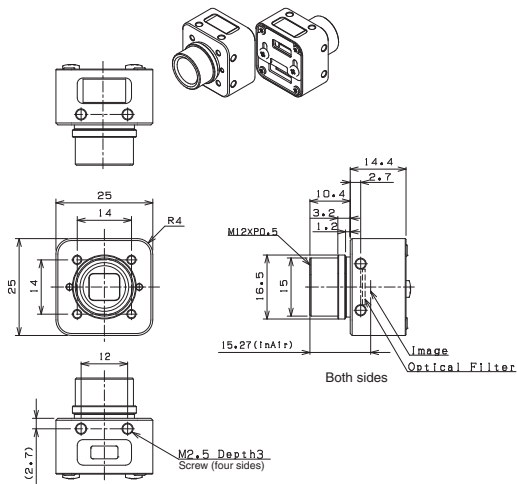
STC-S133N(P)-L/LS/IL/ILS



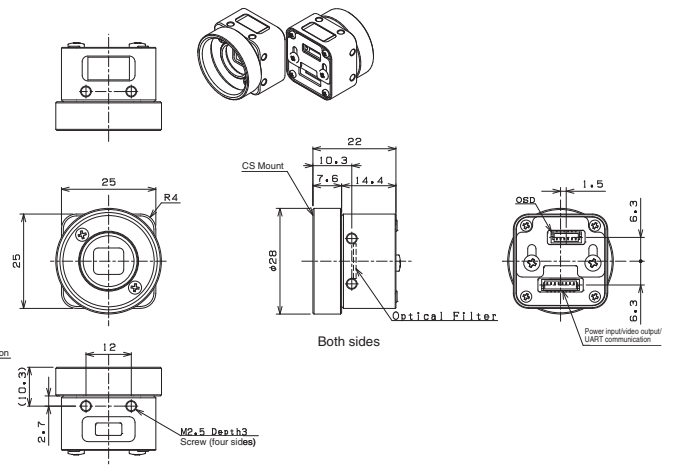
STC-S133N(P)-NF



STC-S133N(P)-AL/IAL

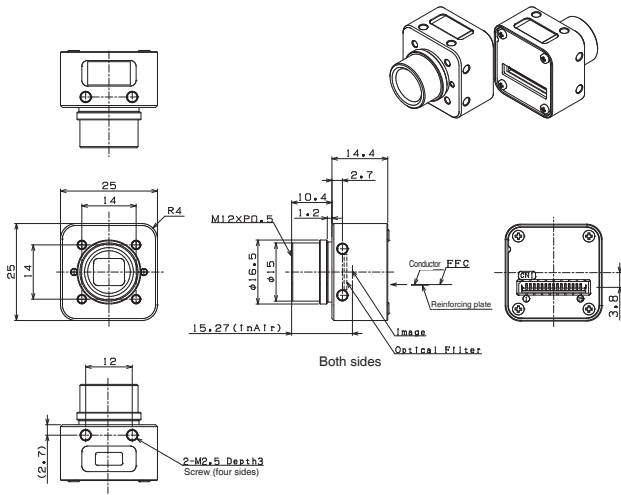


STC-S133N(P)-ACS/IACS

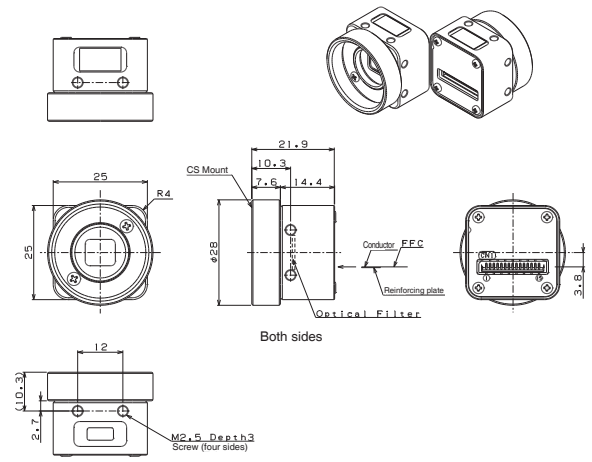




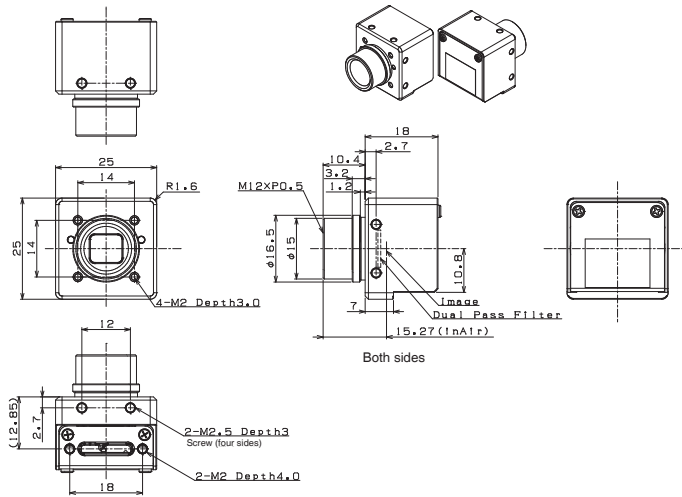
STC-S133MIP-ALL/DALL



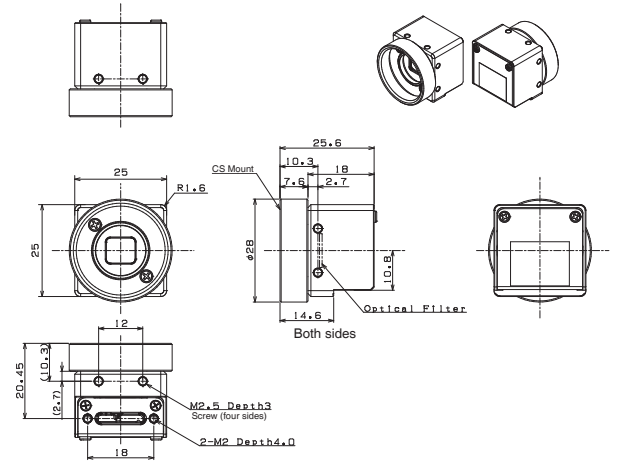
STC-S133MIP-ALCS/DALCS



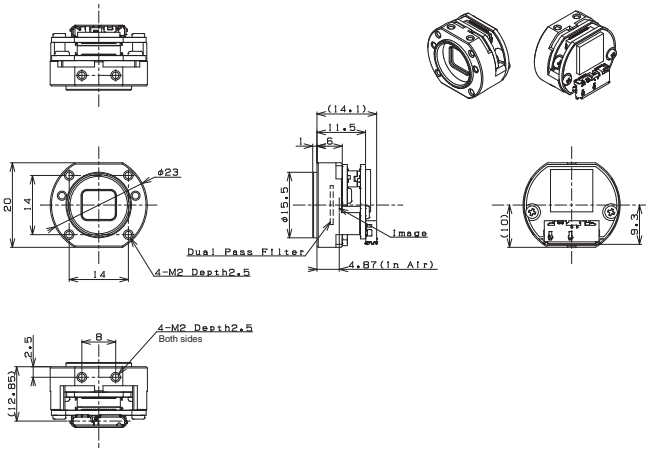
STC-S133UVC-ALL/DALL



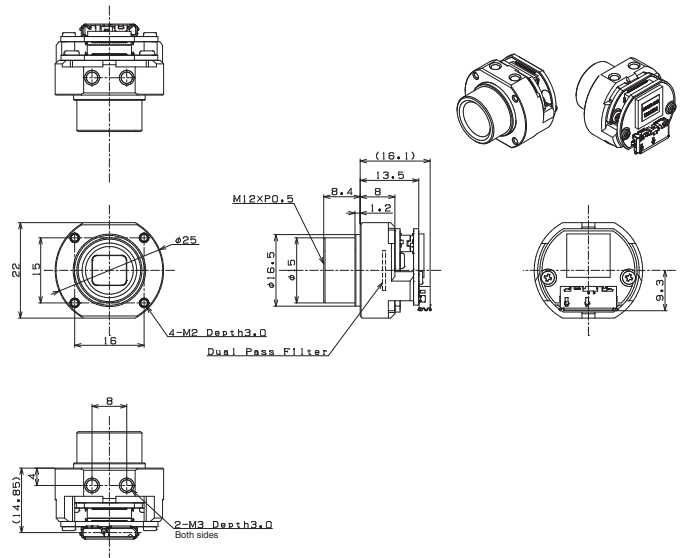
STC-S133UVC-ALCS/DALCS



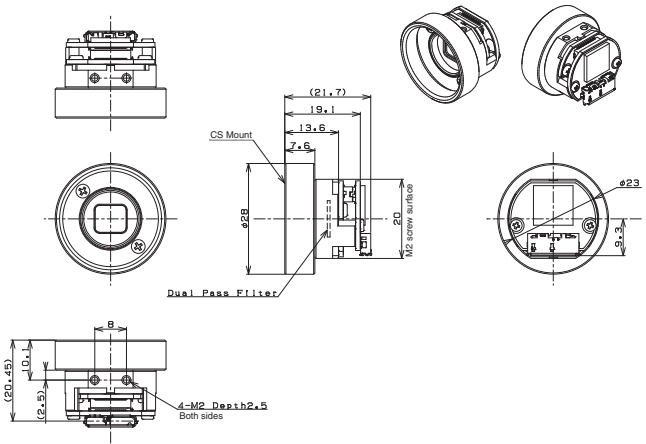
STC-S133UVC-BL(DBL)



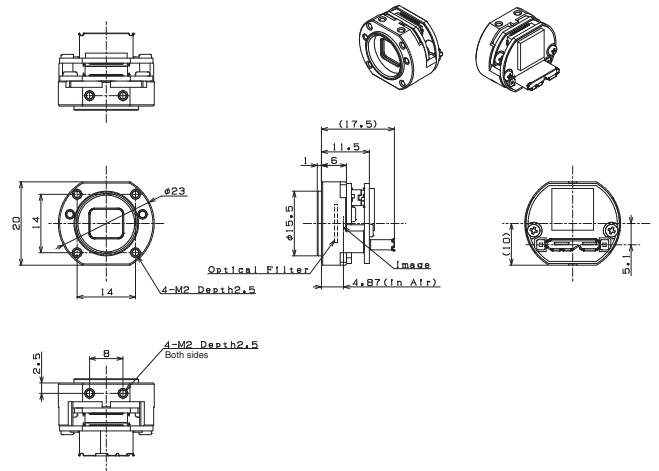
STC-S133UVC-BLL(DBLL)



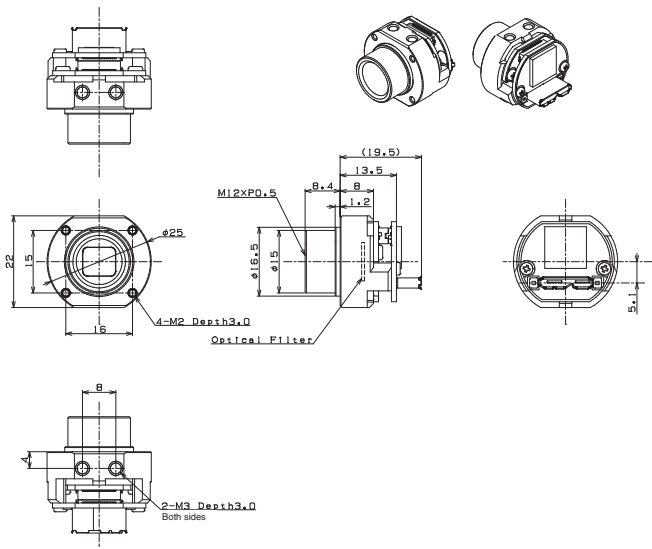
STC-S133UVC-BLCS(DBLCS)



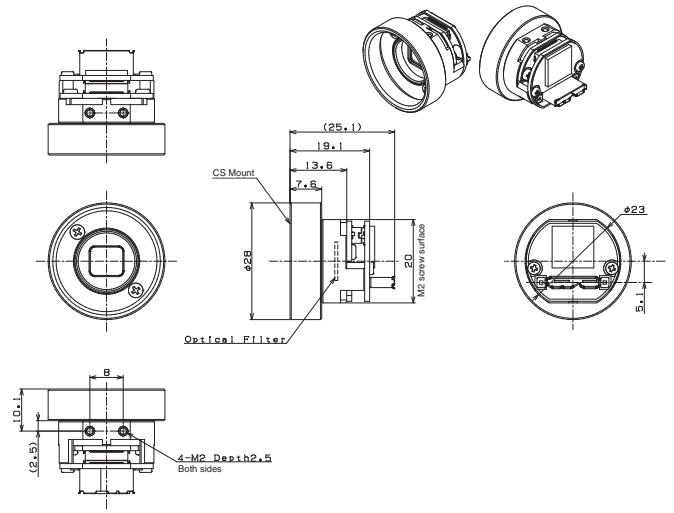
STC-S133UVC-BS(DBS)



STC-S133UVC-BSL(DBSL)



STC-S133UVC-BSCS(DBSCS)



## Accessory, Cable, others



### Description

Optional items for using cameras

### Screw-fastened GigE Cable



OMRON has made available a line of optional screw-fastened cables, responding to many requests for such cables when using GigE cameras in the FA applications.

Screw-Fastened GigE Cables	
Model	Length
FJ-VSG 3M	3 m
FJ-VSG 5M	5 m
FJ-VSG 10M	10 m
FJ-VSG 20M	20 m
FJ-VSG 40M	40 m

### Power Supply and I/O Cables

Power Supply and I/O Cables	
Model	Length
FJ-VSP2 3M	3 m
FJ-VSP2 5M	5 m
FJ-VSP2 10M	10 m

Note. Please connect the cables according to the external connector specifications prescribed in your camera's specification documents, for faulty wiring can cause failure.

### Screw-fastened USB3.0 Cable



USB 3.0 Cables (USB 3.0 Micro-B, with Camera-Side Fastening Screws)

Model	Length	Cable Type
CAB-USB3-02	2 m	Normal
CAB-USB3-03	3.5 m	
CAB-USB3-05	5 m	
CAB-USB3-07	7 m	
CAB-USB3-10	10 m	Normal high-transmission cables
CAB-USB3-02-RB	2 m	Robot cables
CAB-USB3-03-RB	3.5 m	
CAB-USB3-05-RB	5 m	
CAB-USB3-07-RB	7 m	

Note. Please make sure in advance that USB 3.0 cables operate correctly under your environment.

Screw Lock USB 3.0 Cables (Optional) / Robot Cables

Model	Applicable Model	General Specifications
NU3MBASU3S-2m	All USB3.0 Cameras	2 m, USB 3.0 Micro-B, with camera-side fastening screws, normal cables
NU3MBASU3S-3.5m	All USB3.0 Cameras	3.5 m, USB 3.0 Micro-B, with camera-side fastening screws, normal cables
NU3MBASU3B-2m	All USB3.0 Cameras	2 m, USB 3.0 Micro-B, with camera-side fastening screws, robot cables
NU3MBASU3B-3.5m	All USB3.0 Cameras	3.5 m, USB 3.0 Micro-B, with camera-side fastening screws, robot cables

Note. Please make sure that USB 3.0 cables operate correctly under your environment beforehand.

Note. Production of this series is set to be discontinued. Please consider using our CAB-USB3 USB 3.0 cables.



## HDMI Cable



### HDMI Cable

Model	Applicable Model	Length
CAB-HDMI-015	4K HD high vision (DVI) cameras	1.5 m
CAB-HDMI-02	4K HD high vision (DVI) cameras	2 m
CAB-HDMI-03	4K HD high vision (DVI) cameras	3 m
CAB-HDMI-05	4K HD high vision (DVI) cameras	5 m

Note. Please make sure in advance that HDMI cables operate correctly under your environment, including power supply capability.

### HDMI Fiber-Optic Cables

Model	Applicable Model	Length
CAB-HDMI-10-OPT	4K HD high vision (DVI) cameras	10 m Provides power supply (with USB)
CAB-HDMI-20-OPT	4K HD high vision (DVI) cameras	20 m Provides power supply (with USB)
CAB-HDMI-30-OPT	4K HD high vision (DVI) cameras	30 m Provides power supply (with USB)
CAB-HDMI-50-OPT	4K HD high vision (DVI) cameras	50 m Provides power supply (with USB)
CAB-HDMI-70-OPT	4K HD high vision (DVI) cameras	70 m Provides power supply (with USB)
CAB-HDMI-100-OPT	4K HD high vision (DVI) cameras	100 m Provides power supply (with USB)

Note. Please make sure in advance that HDMI cables operate correctly under your environment, including power supply capability.

## Coaxial Cable



### BNC-BNC Cables

Model	Applicable Model	Connector Type	Length
BNC-BNC1	TV Format	BNC on both ends	1 m
BNC-BNC2			2 m
BNC-BNC3			3 m
BNC-BNC5			5 m
BNC-BNC10			10 m

### BNC-RCA (Pin Jack) Cables

Model	Applicable Model	Connector Type	Length
BNC-RCA2	TV Format	BNC on one end and RCA on the other	2 m
BNC-RCA3			3 m
BNC-RCA5			5 m
BNC-RCA10			10 m

## Harness for Power Supply/Signal Output



### Harnesses for power supply and signal output for STC-S133N/P

Model	Applicable Model	General Specifications
KSAF005	For S133N/P	8-pin connector to power pin jack and BNC connector
KSAF006		8-pin connector to power pin jack and RCA connector

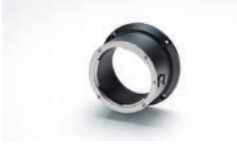
### Mount Conversion Adapter



Adapter ring necessary when using C-mount lens with CS-mount camera

Adapter for converting M42 P=1 FB=10mm to F-mount when using 12M, 25M, or line sensor cameras

Model	Applicable Model	General Specifications
CS-C-R	CS Mount Series	CS mount → C mount conversion adapter
M42-F-R	12M, 25M, Line Scan Camera	M42 P=1 FB=10 mm → F mount conversion adapter



### Tripod Mount



Optional adapter for fastening the camera with tripod screws

Model	Applicable Model	General Specifications
TP-HCA	Camera Link SPB/SPC43, 52, 163, 202PCL	
TP-JVA	0.4M, 1.6M, 2M, 2.3M, 3.2M, 4M, 5M (M*S500/510U3V)	
TP-JQA	USB3.0: 5M (Polarization), 8.9M, 12.3M, 20.4M Camera Link: VGA, 2M (CM*200PCL), 3.2M, 4M, 5M (SP*500/510PCL), 8.9M, 12.3M	
TP-KWA	GigE Vision M Series	
TP-KWA-IEA	GigE Vision M Series	Used to set M Series with sensor center at same height as that of S Series
TP-KWA2	STC-MBS/MCS881POE, STC-MBS/MCS122BPOE	

### Remote Control Unit



The unit is connected to the pin jack on the back of the camera allowing various settings to be made with an on-screen display. All DVI/SDI models are applicable.

Model	Applicable Model	General Specifications
RC-HD133	4K HDMI/DVI/SDI	ø3.5 stereo pin jack
RC-S133	S133N/P Series	
RC-S133B	S133N-B Series	ø3.5 stereo pin jack

## Accessory Fixed Focus Lens

---



### Description

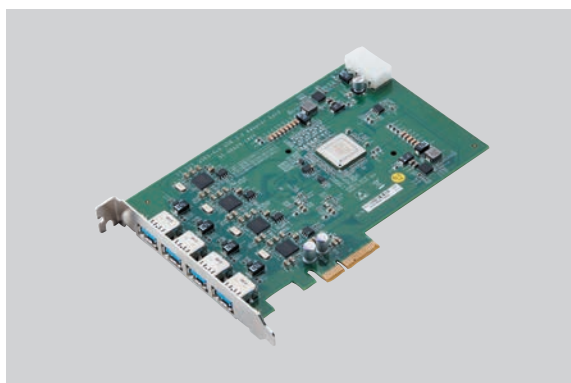
Small-diameter fixed focus lens for board cameras and remote head camera

### S Mount (M12 P0.5) Lens



Model	Applicable Model	General Specifications
CV0205C	S Mount Series	f=2.5 mm, 1/3", F2.0, for 5M resolution
KVAB009		Lens fixing washer

## USB 3.0 4ch Frame Grabber Board



### Description

4ch Frame Grabber Board for USB 3.0 Camera

### Features

The 4-channel Frame Grabber Board includes the USB3.0 chips on each channel.

Adopting PCI Express Gen 3 × 4 lane connections, operation with greater stability than Gen 2 × 4 lane models can be ensured when using multiple high resolution, high-speed cameras.

### Product Line-up

Model	USB3-4ch
No. of ports	USB3.0 Standard A × 4 ports
Host I/F	PCI Express Gen3 × 4 lane
Operating power supply	On-board 5 VDC
Host controller	FL1100-1Q0-EX (FRESCO)
Supported OS	Windows7/8/10 and Linux
Motion camera	Omron Sentech USB3.0 Camera
Dimensions	167 (W) × 111.15 (H) mm (excluding protrusions)

Note. Confirm operation with your PC in advance.

Note. Use the latest USB driver version provided by FRESCO Logic.

## Spectral Characteristics Chart

This is the Spectral Characteristics Chart of the image sensor (Area Sensor) published in this catalog.

	Model	Type	Page
1	IMX287	Monochrome	53
2	IMX433	Monochrome	53
3	IMX273	Monochrome	53
4	IMX174	Monochrome	54
5	IMX430	Monochrome	54
6	IMX249	Monochrome	54
7	IMX265	Monochrome	54
8	IMX252	Monochrome	54
9	IMX264	Monochrome	55
10	IMX250	Monochrome	55
11	IMX267	Monochrome	55
12	IMX255	Monochrome	55
13	IMX304	Monochrome	55
14	IMX253	Monochrome	55
15	IMX382-0ABR-C	Monochrome	56
16	IMX178	Monochrome	56
17	IMX428	Monochrome	56
18	IMX226	Monochrome	57
19	IMX183	Monochrome	57
20	CMV300	Monochrome	58
21	CMV2000	Monochrome	58
22	CMV4000	Monochrome	58
23	CMV12000	Monochrome	59
24	MT9P031	Monochrome	60
25	MT9J003	Monochrome	60
26	EV76C560ACT	Monochrome	59
27	PYTHON 25K	Monochrome	59
28	RJ33B4AAODT	Monochrome	60
29	CMV2000	NIR	59
30	CMV4000	NIR	59

	Model	Type	Page
31	IMX287	Color	53
32	IMX433	Color	53
33	IMX273	Color	53
34	IMX174	Color	54
35	IMX430	Color	54
36	IMX249	Color	54
37	IMX265	Color	54
38	IMX252	Color	54
39	IMX264	Color	55
40	IMX250	Color	55
41	IMX267	Color	55
42	IMX255	Color	55
43	IMX304	Color	55
44	IMX253	Color	55
45	IMX382-0AQR-C	Color	56
46	IMX178	Color	56
47	IMX274	Color	57
48	IMX226	Color	57
49	IMX183	Color	57
50	ISX017	Color	58
51	IMX136	Color	58
52	IMX291	Color	58
53	CMV300	Color	58
54	CMV2000	Color	58
55	CMV4000	Color	58
56	CMV12000	Color	59
57	MT9P031	Color	60
58	EV76C560ACT	Color	59

This is the Spectral Characteristics Chart of the image sensor (Line Scan Camera) published in this catalog.

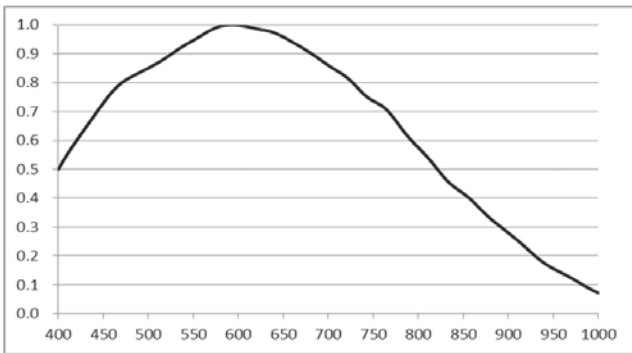
	Model	Type	Page
1	DR-2K-7	Monochrome	61
2	DR-4K-7	Monochrome	61
3	DR-4K-3.5	Monochrome	61
4	DR-8K-7	Monochrome	61
5	DR-8K-3.5	Monochrome	61
6	DR-16K-3.5	Monochrome	61
7	DR-2X2K-7-inver	Monochrome	61
8	DR-2X4K-7-inver	Monochrome	61
9	DR-2X8K-7	Monochrome	61

	Model	Type	Page
1	DR-2X2K-7-inver-RGB	Color	61
2	DR-2X4K-7-inver-RGB	Color	61
3	DR-2X8K-7-RGB	Color	61

# Area Sensor Spectral Characteristics Chart

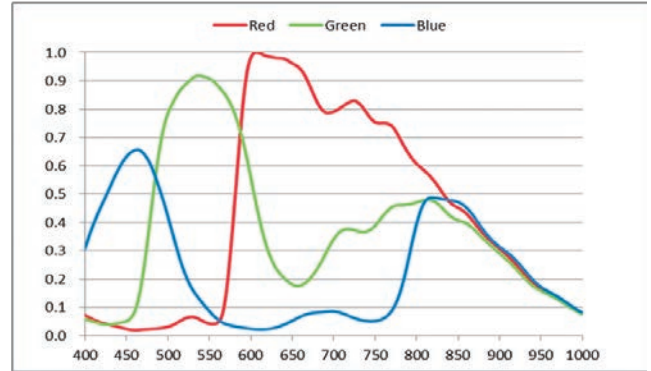
## IMX287

1/2.9" CMOS 0.4M Monochrome



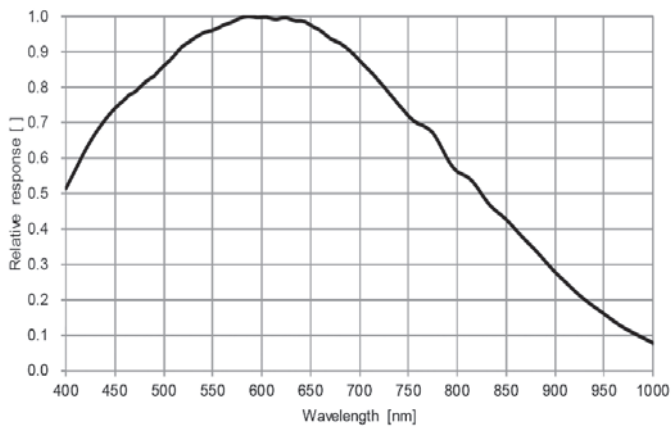
## IMX287

1/2.9" CMOS 0.4M Color



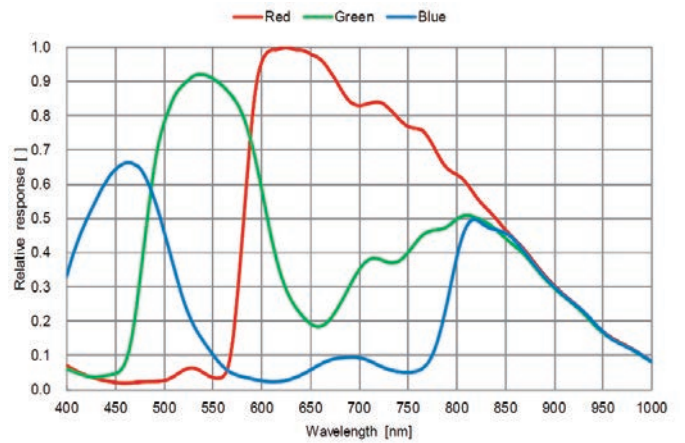
## IMX433

1/1.7" CMOS 0.5M Monochrome



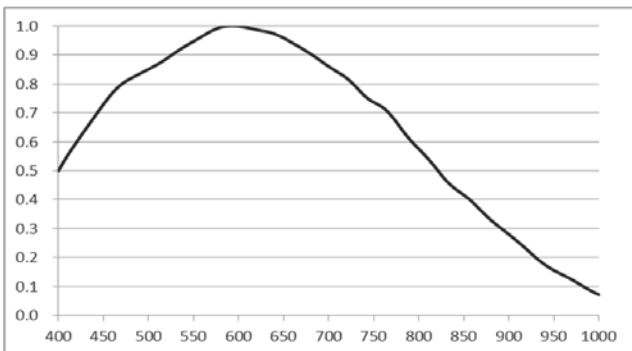
## IMX433

1/1.7" CMOS 0.5M Color



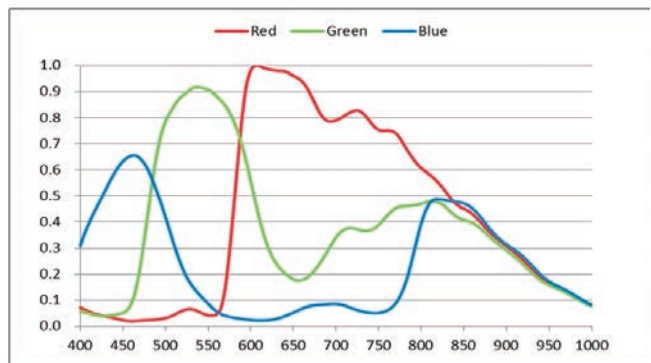
## IMX273

1/2.9" CMOS 1.6M Monochrome



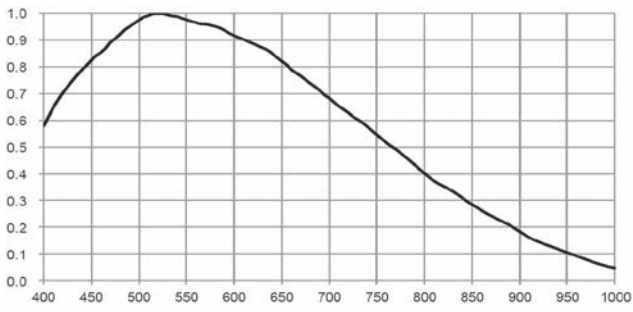
## IMX273

1/2.9" CMOS 1.6M Color



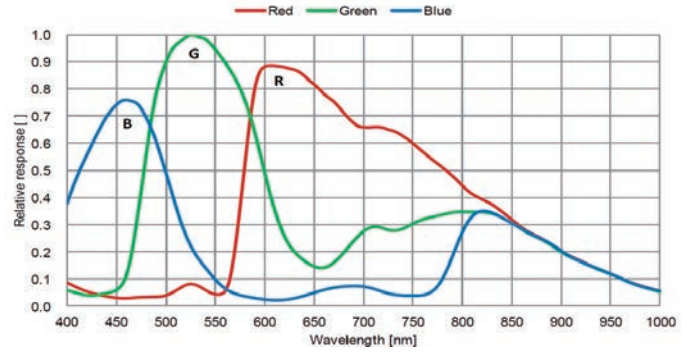
## IMX174, IMX249

1/1.2" CMOS 2.3M Monochrome



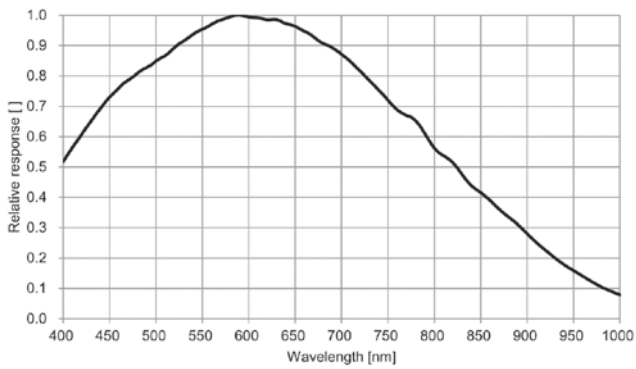
## IMX174, IMX249

1/1.2" CMOS 2.3M Color



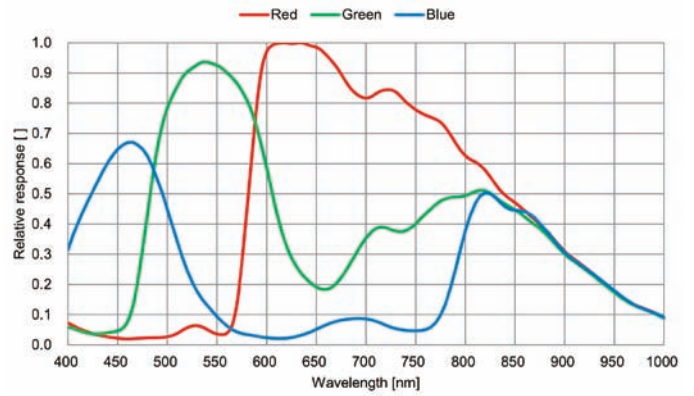
## IMX430

1/1.7" CMOS 2M Monochrome



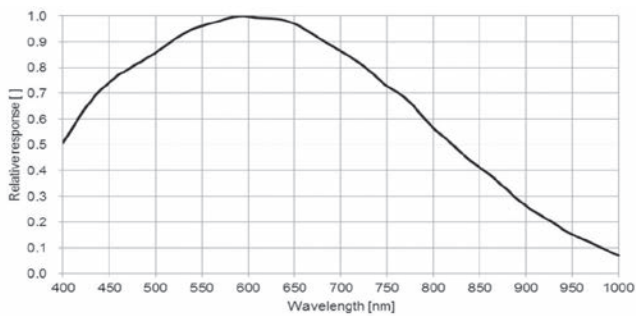
## IMX430

1/1.7" CMOS 2M Color



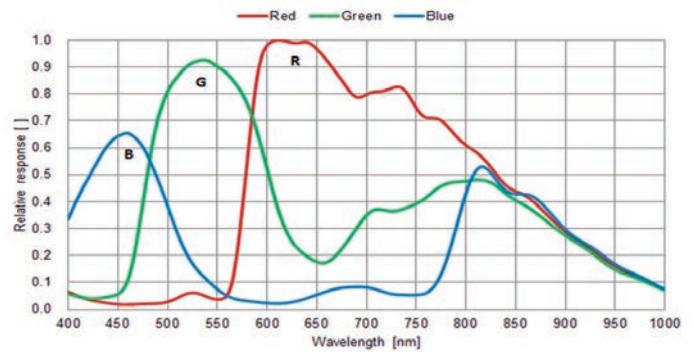
## IMX265, IMX252

1/1.8" CMOS 3.2M Monochrome



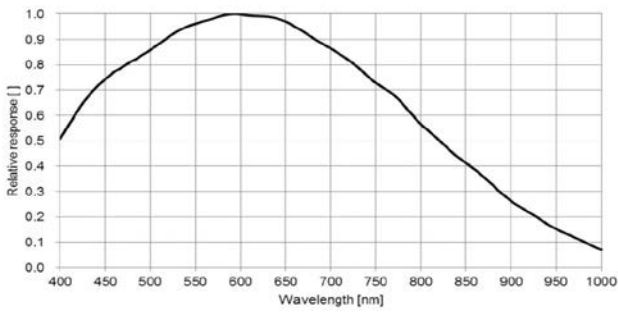
## IMX265, IMX252

1/1.8" CMOS 3.2M Color



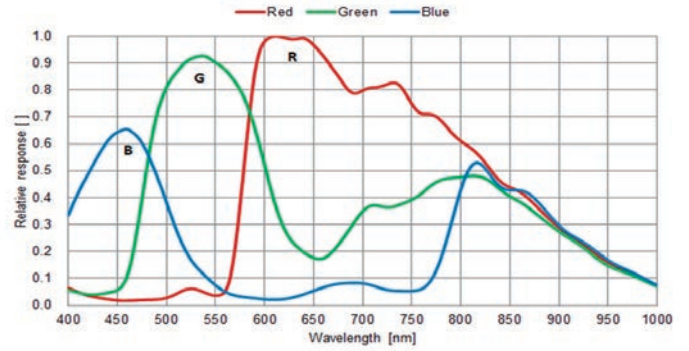
## IMX264, IMX250

2/3" CMOS 5M Monochrome



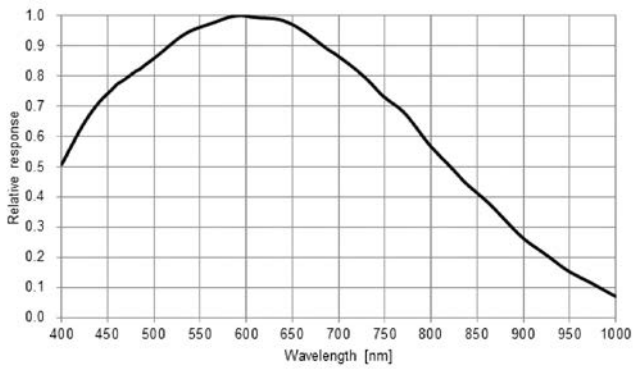
## IMX264, IMX250

2/3" CMOS 5M Color



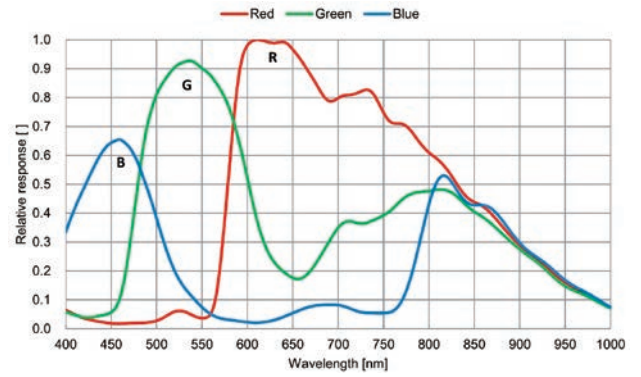
## IMX267/IMX255

1" CMOS 8.9M Monochrome



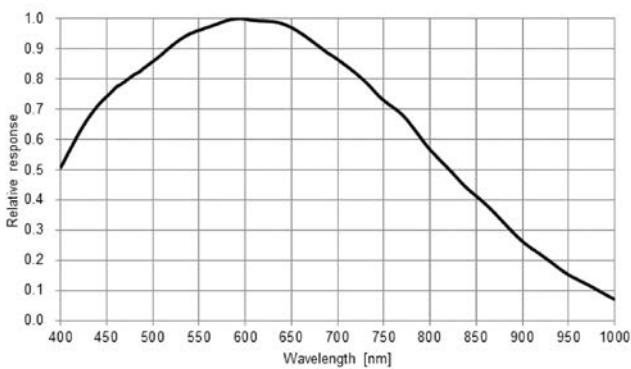
## IMX267/IMX255

1" CMOS 8.9M Color



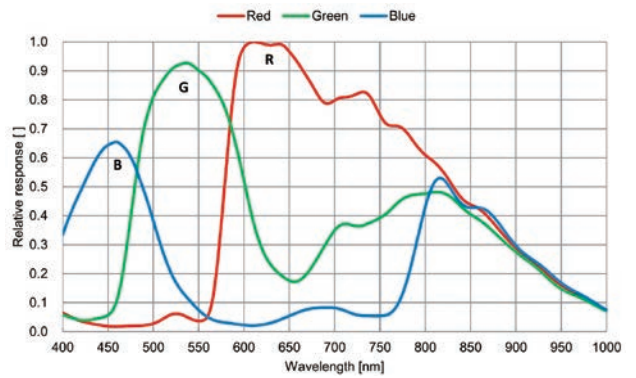
## IMX304/IMX253

1.1" CMOS 12M Monochrome



## IMX304/IMX253

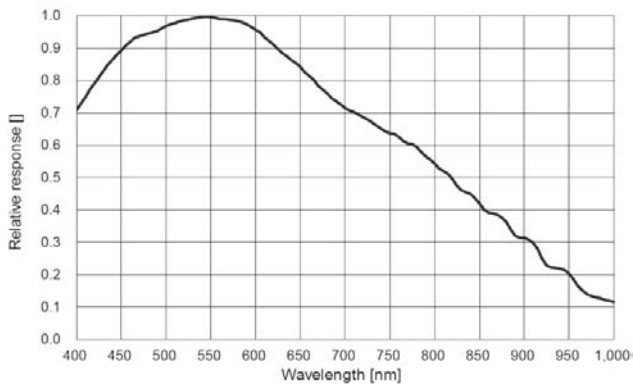
1.1" CMOS 12M Color





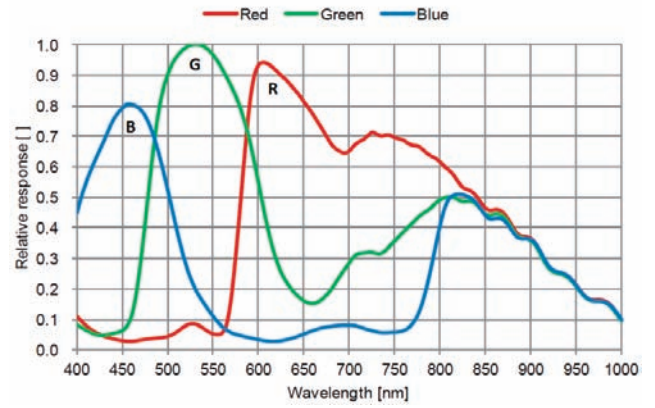
## IMX382-0ABR-C

1/3.2" CMOS 1.3M Monochrome



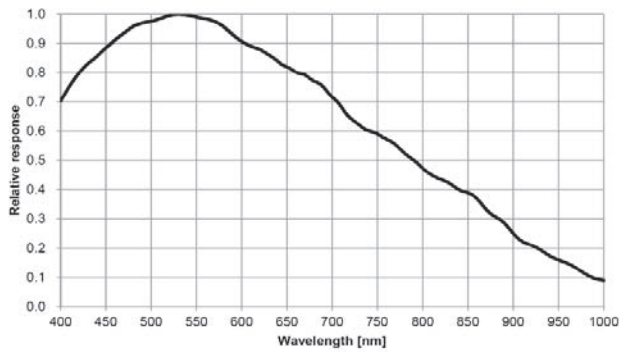
## IMX382-0AQR-C

1/3.2" CMOS 1.3M Color



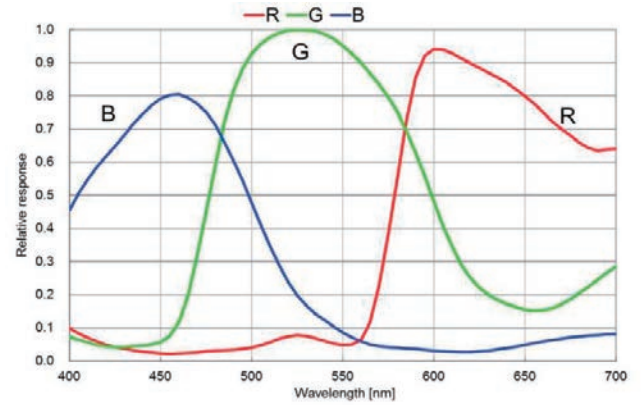
## IMX178

1/1.8" CMOS 6.4M Monochrome



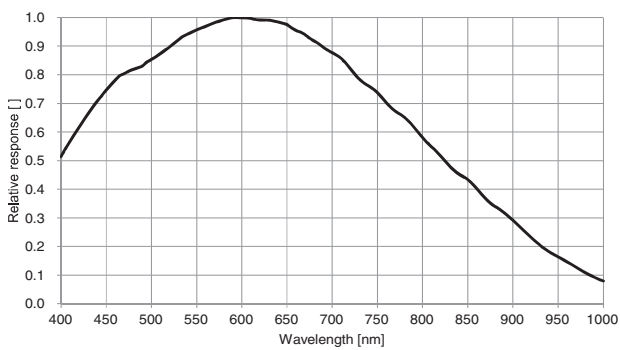
## IMX178

1/1.8" CMOS 6.4M Color



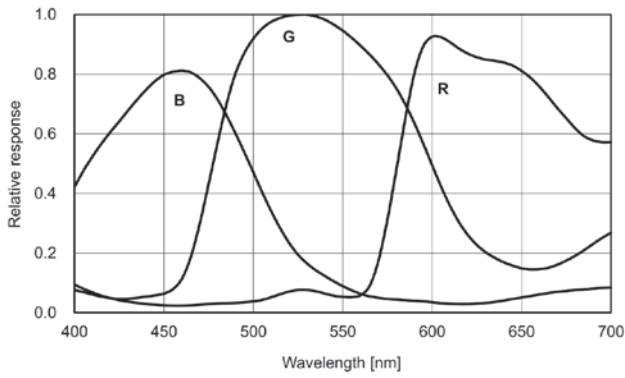
## IMX428

1.1" CMOS 7.1M Monochrome



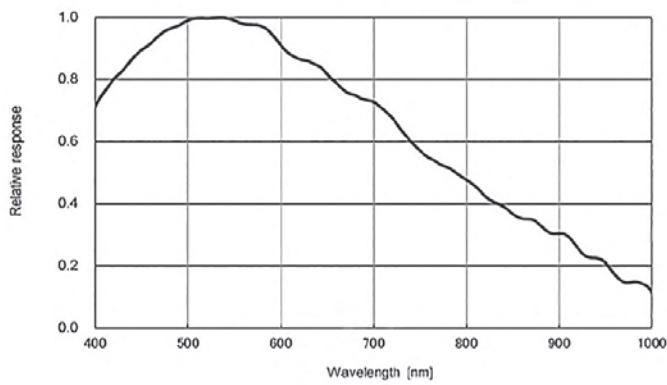
## IMX274

1/2.5" CMOS 8.3M Color



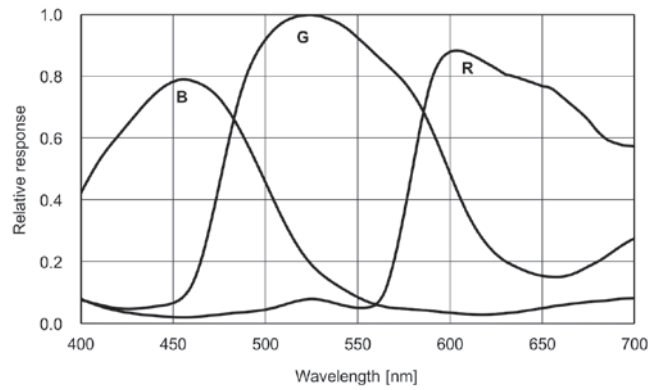
## IMX226

1/1.7" CMOS 12M Monochrome



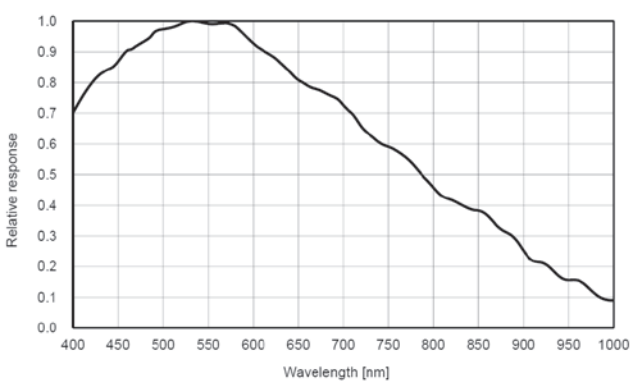
## IMX226

1/1.7" CMOS 12M Color



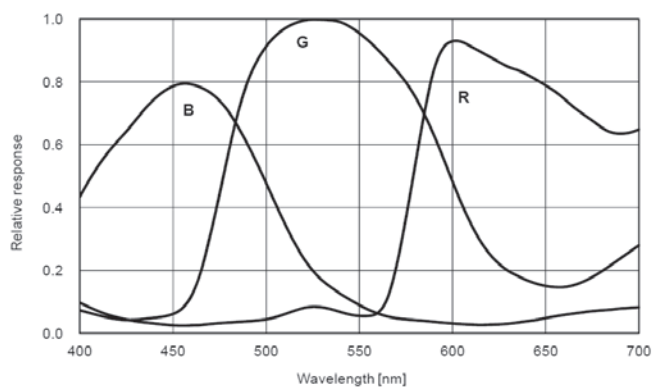
## IMX183

1" CMOS 20M Monochrome



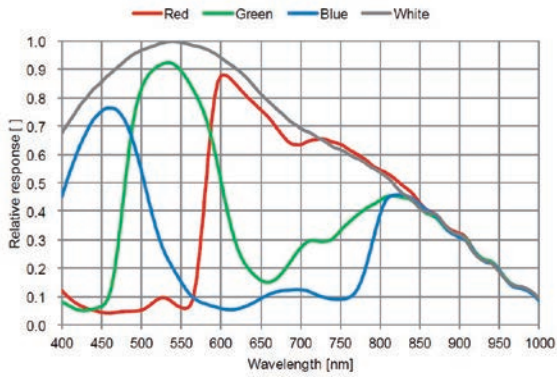
## IMX183

1" CMOS 20M Color



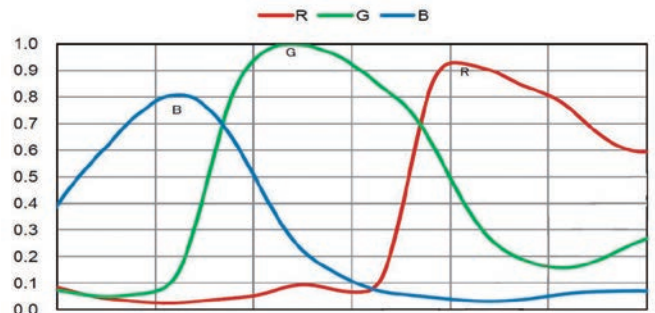
## ISX017

1/3.2" CMOS 0.6M Color



## IMX136

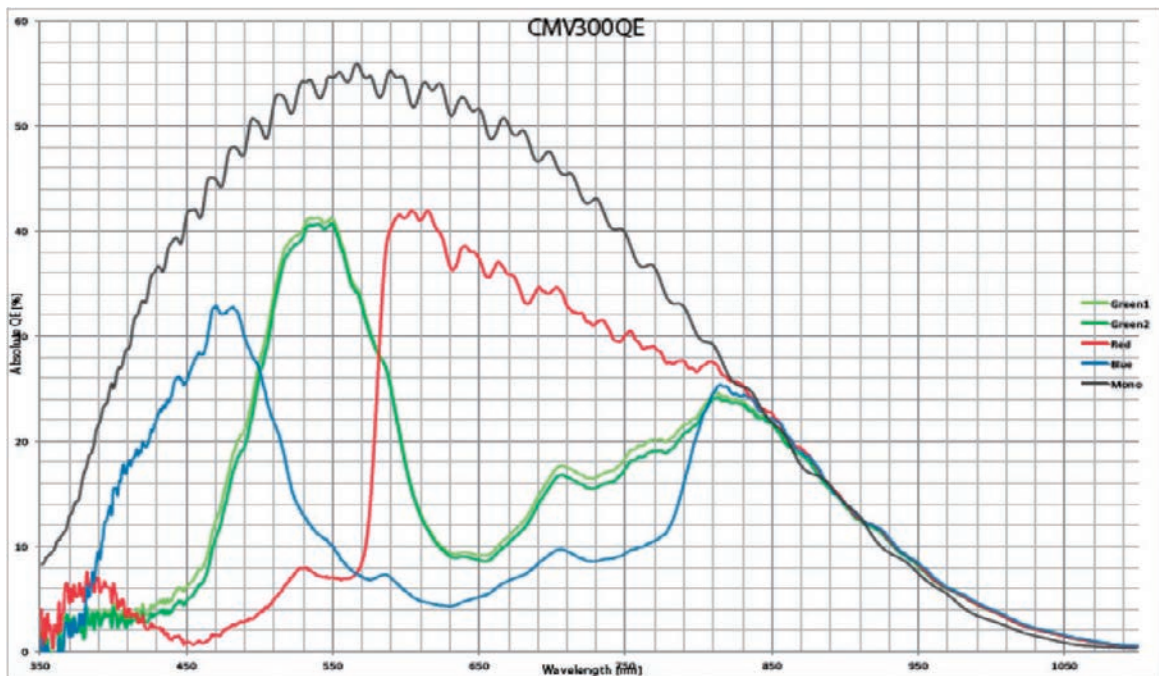
1/2.8" CMOS 1080P FULL High-definition Color



## CMV300

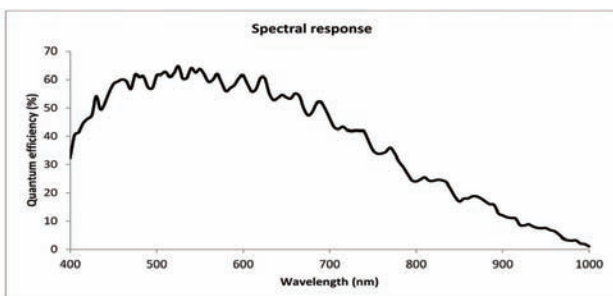
## CMV300

1/3" CMOS VGA Monochrome, Color



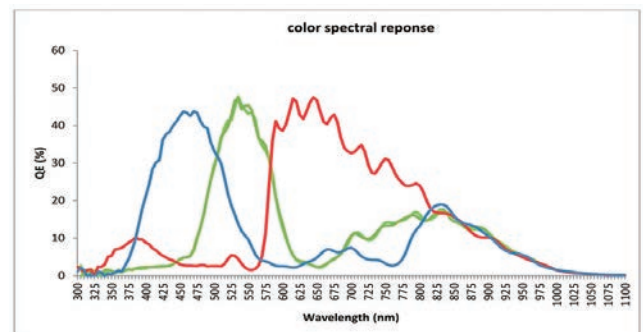
## CMV2000/CMV4000

2/3" CMOS 2M Monochrome / 1" CMOS 4M Monochrome



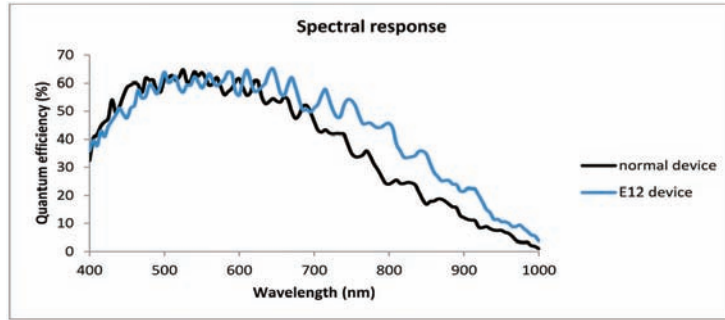
## CMV2000/CMV4000

2/3" CMOS 2M Color / 1" CMOS 4M Color



## CMV2000/CMV4000

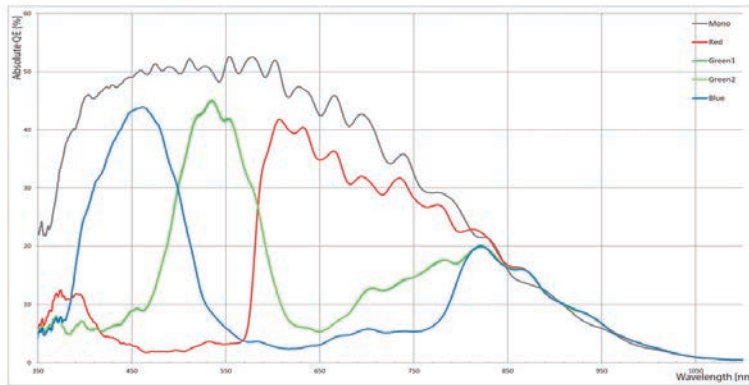
2/3" CMOS 2M NIR / 1" CMOS 4M NIR



## CMV12000

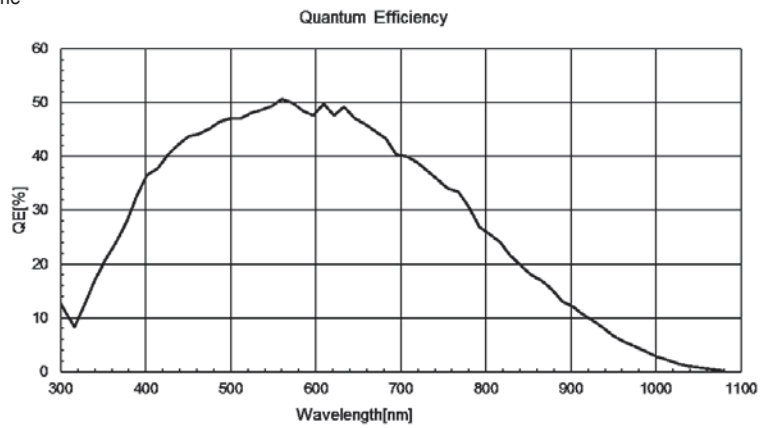
## CMV12000

1.76" CMOS 12M Monochrome, Color



## PYTHON 25K

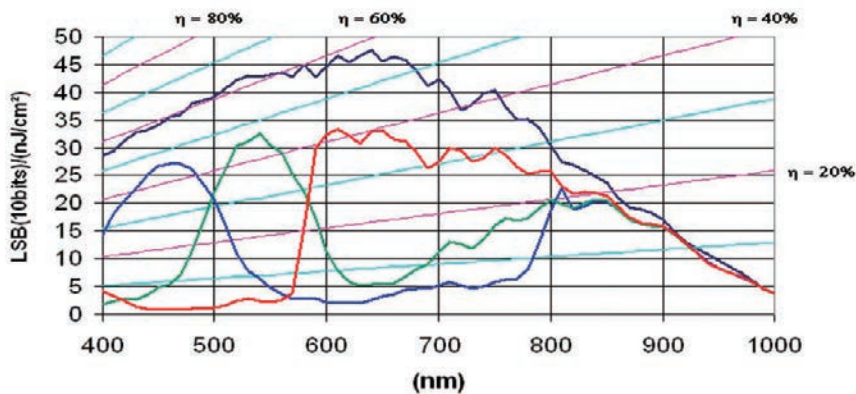
APS-H CMOS 25M, Monochrome



## EV76C560ACT

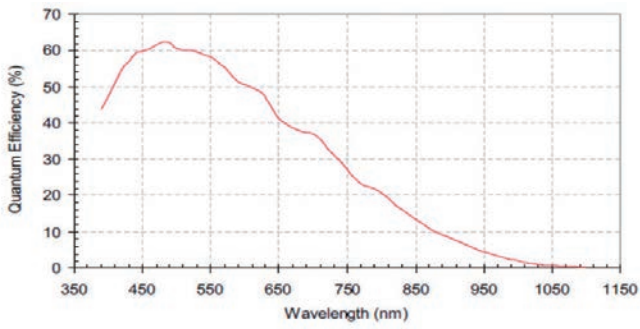
## EV76C560ACT

1/1.8" CMOS 1.3M Monochrome, Color



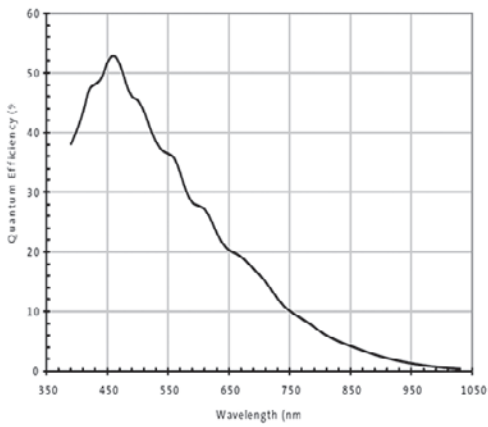
## MT9P031

1/2.5" CMOS 5M Monochrome



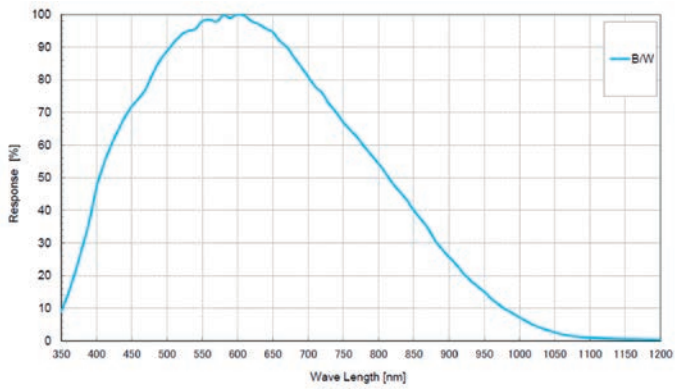
## MT9J003

1/2.3" CMOS 10M Monochrome



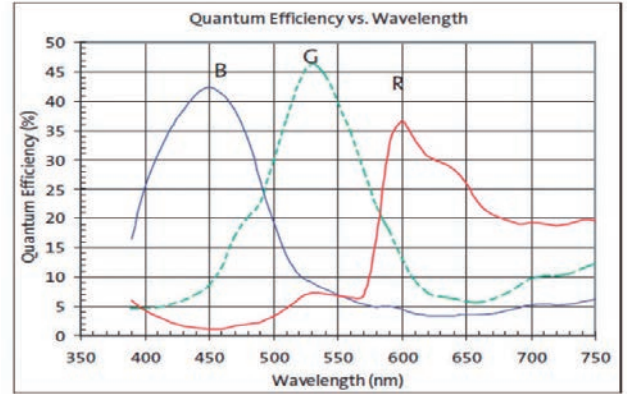
## RJ33B4AA0DT

1/3" CCD VGA Monochrome



## MT9P031

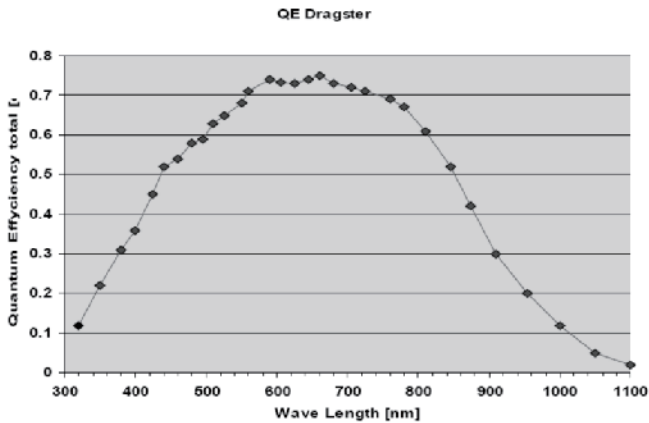
1/2.5" CMOS 5M Color



# Line Scan Camera Spectral Characteristics Chart

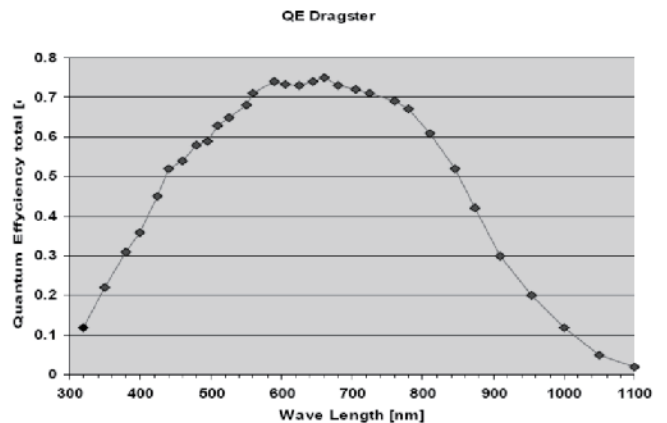
## DR-2K-7, DR-4K-7, DR-4K-3.5

2K7  $\mu\text{m}$  Single  
 4K7  $\mu\text{m}$  Single  
 4K3.5  $\mu\text{m}$  Single



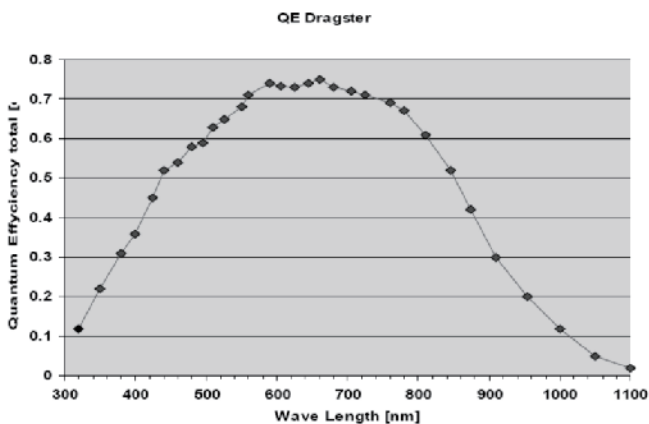
## DR-8K-7, DR-8K-3.5, DR-16K-3.5

8K7  $\mu\text{m}$  Single  
 8K3.5  $\mu\text{m}$  Single  
 16K3.5  $\mu\text{m}$  Single



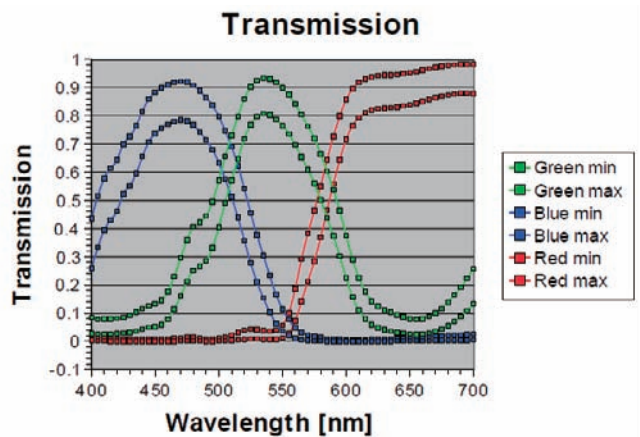
## DR-2X2K-7-inver, DR-2X4K-7-inver, DR-2X8K-7

2K7  $\mu\text{m}$  Dual  
 4K7  $\mu\text{m}$  Dual  
 8K7  $\mu\text{m}$  Dual



## DR-2X2K-7-inver-RGB, DR-2X4K-7-inver-RGB, DR-2X8K-7-RGB

2K7  $\mu\text{m}$  Dual  
 4K7  $\mu\text{m}$  Dual  
 8K7  $\mu\text{m}$  Dual



## Trademarks

- \* Camera Link, GigE Vision, USB3Vision, and PoCL are trademarks of AIA (Automated Imaging Association).
- \* CoaXPress is a trademark of JIIA (Japan Industrial Imaging Association).
- \* Opt-C:Link is a registered trademark of AVAL DATA CORPORATION.
- \* Windows and Microsoft Visual Studio are either registered trademarks or trademarks of Microsoft Corporation in the United States and/or other countries.
- \* The terms HDMI, HDMI High-Definition Multimedia Interface, and the HDMI Logo are trademarks or registered trademarks of HDMI Licensing Administrator, Inc.
- \* Other company names and product names in this document are the trademarks or registered trademarks of their respective companies.

# Terms and Conditions Agreement

## Read and understand this catalog.

Please read and understand this catalog before purchasing the products. Please consult your OMRON representative if you have any questions or comments.

## Warranties.

- (a) Exclusive Warranty. Omron's exclusive warranty is that the Products will be free from defects in materials and workmanship for a period of twelve months from the date of sale by Omron (or such other period expressed in writing by Omron). Omron disclaims all other warranties, express or implied.
- (b) Limitations. OMRON MAKES NO WARRANTY OR REPRESENTATION, EXPRESS OR IMPLIED, ABOUT NON-INFRINGEMENT, MERCHANTABILITY OR FITNESS FOR A PARTICULAR PURPOSE OF THE PRODUCTS. BUYER ACKNOWLEDGES THAT IT ALONE HAS DETERMINED THAT THE PRODUCTS WILL SUITABLY MEET THE REQUIREMENTS OF THEIR INTENDED USE.

Omron further disclaims all warranties and responsibility of any type for claims or expenses based on infringement by the Products or otherwise of any intellectual property right. (c) Buyer Remedy. Omron's sole obligation hereunder shall be, at Omron's election, to (i) replace (in the form originally shipped with Buyer responsible for labor charges for removal or replacement thereof) the non-complying Product, (ii) repair the non-complying Product, or (iii) repay or credit Buyer an amount equal to the purchase price of the non-complying Product; provided that in no event shall Omron be responsible for warranty, repair, indemnity or any other claims or expenses regarding the Products unless Omron's analysis confirms that the Products were properly handled, stored, installed and maintained and not subject to contamination, abuse, misuse or inappropriate modification. Return of any Products by Buyer must be approved in writing by Omron before shipment. Omron Companies shall not be liable for the suitability or unsuitability or the results from the use of Products in combination with any electrical or electronic components, circuits, system assemblies or any other materials or substances or environments. Any advice, recommendations or information given orally or in writing, are not to be construed as an amendment or addition to the above warranty.

See <http://www.omron.com/global/> or contact your Omron representative for published information.

## Limitation on Liability; Etc.

OMRON COMPANIES SHALL NOT BE LIABLE FOR SPECIAL, INDIRECT, INCIDENTAL, OR CONSEQUENTIAL DAMAGES, LOSS OF PROFITS OR PRODUCTION OR COMMERCIAL LOSS IN ANY WAY CONNECTED WITH THE PRODUCTS, WHETHER SUCH CLAIM IS BASED IN CONTRACT, WARRANTY, NEGLIGENCE OR STRICT LIABILITY.

Further, in no event shall liability of Omron Companies exceed the individual price of the Product on which liability is asserted.

## Suitability of Use.

Omron Companies shall not be responsible for conformity with any standards, codes or regulations which apply to the combination of the Product in the Buyer's application or use of the Product. At Buyer's request, Omron will provide applicable third party certification documents identifying ratings and limitations of use which apply to the Product. This information by itself is not sufficient for a complete determination of the suitability of the Product in combination with the end product, machine, system, or other application or use. Buyer shall be solely responsible for determining appropriateness of the particular Product with respect to Buyer's application, product or system. Buyer shall take application responsibility in all cases.

NEVER USE THE PRODUCT FOR AN APPLICATION INVOLVING SERIOUS RISK TO LIFE OR PROPERTY OR IN LARGE QUANTITIES WITHOUT ENSURING THAT THE SYSTEM AS A WHOLE HAS BEEN DESIGNED TO ADDRESS THE RISKS, AND THAT THE OMRON PRODUCT(S) IS PROPERLY RATED AND INSTALLED FOR THE INTENDED USE WITHIN THE OVERALL EQUIPMENT OR SYSTEM.

## Programmable Products.

Omron Companies shall not be responsible for the user's programming of a programmable Product, or any consequence thereof.

## Performance Data.

Data presented in Omron Company websites, catalogs and other materials is provided as a guide for the user in determining suitability and does not constitute a warranty. It may represent the result of Omron's test conditions, and the user must correlate it to actual application requirements. Actual performance is subject to the Omron's Warranty and Limitations of Liability.

## Change in Specifications.

Product specifications and accessories may be changed at any time based on improvements and other reasons. It is our practice to change part numbers when published ratings or features are changed, or when significant construction changes are made. However, some specifications of the Product may be changed without any notice. When in doubt, special part numbers may be assigned to fix or establish key specifications for your application. Please consult with your Omron's representative at any time to confirm actual specifications of purchased Product.

## Errors and Omissions.

Information presented by Omron Companies has been checked and is believed to be accurate; however, no responsibility is assumed for clerical, typographical or proofreading errors or omissions.

Note: Do not use this document to operate the Unit.

**OMRON Corporation Industrial Automation Company**

Kyoto, JAPAN

Contact: [www.ia.omron.com](http://www.ia.omron.com)

**Regional Headquarters**

**OMRON EUROPE B.V.**

Wegalaan 67-69, 2132 JD Hoofddorp  
The Netherlands  
Tel: (31)2356-81-300/Fax: (31)2356-81-388

**OMRON ELECTRONICS LLC**

2895 Greenspoint Parkway, Suite 200  
Hoffman Estates, IL 60169 U.S.A.  
Tel: (1) 847-843-7900/Fax: (1) 847-843-7787

**OMRON ASIA PACIFIC PTE. LTD.**

No. 438A Alexandra Road # 05-05/08 (Lobby 2),  
Alexandra Technopark,  
Singapore 119967  
Tel: (65) 6835-3011/Fax: (65) 6835-2711

**OMRON (CHINA) CO., LTD.**

Room 2211, Bank of China Tower,  
200 Yin Cheng Zhong Road,  
PuDong New Area, Shanghai, 200120, China  
Tel: (86) 21-5037-2222/Fax: (86) 21-5037-2200

**Authorized Distributor:**

© OMRON Corporation 2017-2020 All Rights Reserved.  
In the interest of product improvement,  
specifications are subject to change without notice.

**CSM\_4\_1**

**Cat. No. Q259-E1-05**

0720(1117)