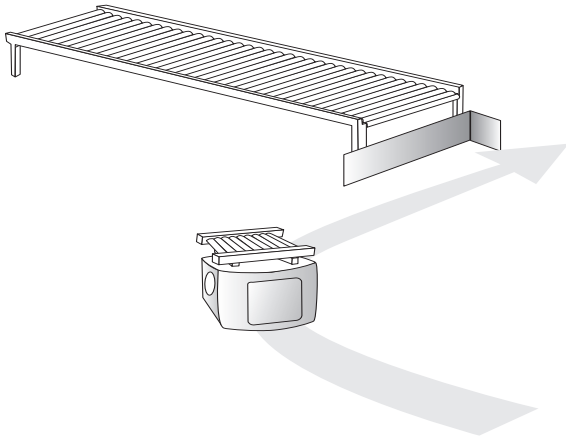


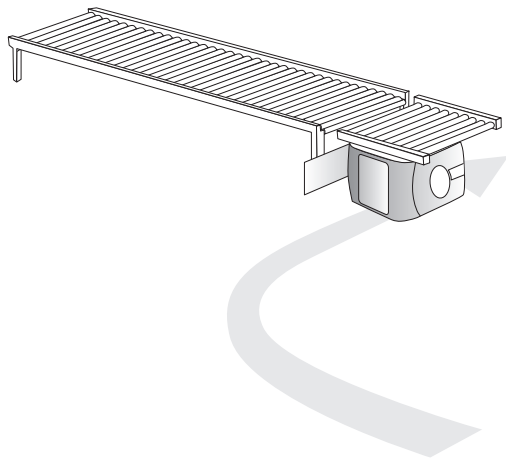
# Cell Alignment Positioning System (CAPS)

OMRON



CAPS technology utilizes the **main safety scanning laser** to detect a target in the environment and enables the robot to drive to the desired location with **unrivalled precision**.

OMRON's mobile robots can dock to a machine with **high accuracy**. It can also **approach from any angle** so that customers do not need to worry about floor layout, nor the shape of the load.



This will allow **smoother and quicker handover** of material, contributing to **shorter cycle time** and **increased efficiency**.

CAPS is available for all OMRON mobile robots



# Cell Alignment Positioning System (CAPS)

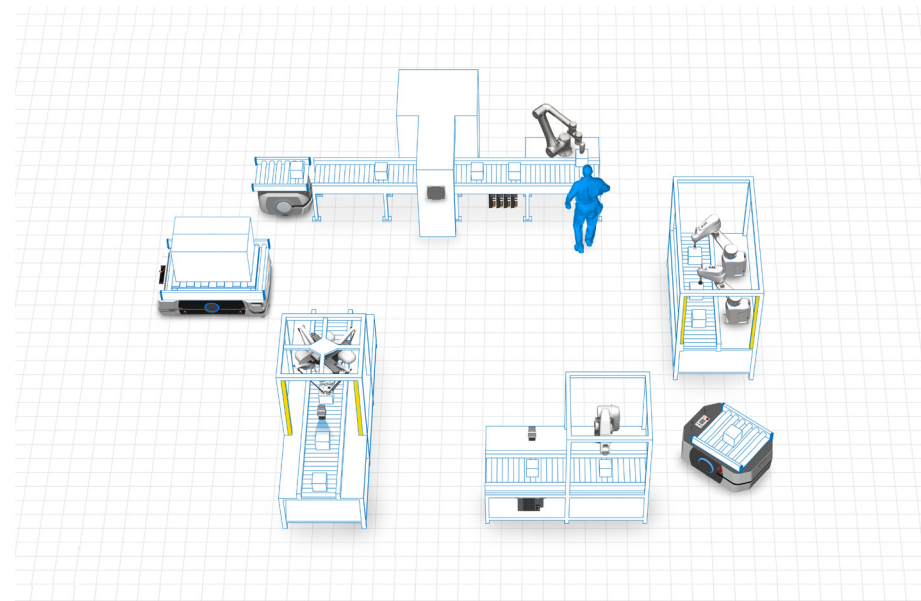


## Improved Accuracy

- CAPS aligns OMRON's mobile robots with machinery at  $\pm 8\text{mm}$  position accuracy and  $\pm 1^\circ$  rotation accuracy.
- Flexible navigation allows the robot to approach a destination from any angle, so that docking can be achieved from any direction.
- Enables a smoother and quicker loading & unloading of material, contributing to a shorter cycle time.

## Easy Setup & Installation

- CAPS doesn't require a physical magnetic marker to indicate where to stop.
- Equipment setup will cost less because CAPS utilizes the main safety scanning laser and no additional sensor is required.
- CAPS allows an offset per robot, meaning the user can dial out the slight hardware differences of the top attachment in the fleet just by changing the parameters.
- Minor updates to the application can be simply made after installation.



**OMRON Corporation** Industrial Automation Company  
Kyoto, JAPAN

Contact: [www.ia.omron.com](http://www.ia.omron.com)

**Regional Headquarters**

**OMRON EUROPE B.V.**  
Wegalaan 67-69, 2132 JD Hoofddorp  
The Netherlands  
Tel: (31)2356-81-300/Fax: (31)2356-81-388

**OMRON ASIA PACIFIC PTE. LTD.**  
No. 438A Alexandra Road # 05-05/08 (Lobby 2),  
Alexandra Technopark,  
Singapore 119967  
Tel: (65) 6835-3011/Fax: (65) 6835-2711

**OMRON ELECTRONICS LLC**  
2895 Greenspoint Parkway, Suite 200 Hoffman Estates,  
IL 60169 U.S.A.  
Tel: (1) 847-843-7900/Fax: (1) 847-843-7787

**OMRON ROBOTICS AND SAFETY TECHNOLOGIES, INC.**  
4225 Hacienda Dr., Pleasanton, CA 94588 U.S.A.  
Tel: (1) 925-245-3400/Fax: (1) 925-960-0590

**OMRON (CHINA) CO., LTD.**  
Room 2211, Bank of China Tower, 200 Yin Cheng Zhong Road,  
PuDong New Area, Shanghai, 200120, China  
Tel: (86) 21-5037-2222/Fax: (86) 21-5037-2200

**Authorized Distributor:**

© OMRON Corporation 2020 All Rights Reserved.  
In the interest of product improvement,  
specifications are subject to change without notice.

Cat. No. I857-E-01

0720 (0620)